

AVANT[®] 850

Varaosakirja
Parts Manual
Dellista
Ersatzteilliste



Serial numbers: XXXXXX2333 ->

Table Of Contents

| | | |
|---------|--|----|
| A456495 | | 6 |
| A454575 | FRONT FRAME ASSEMBLY 800 SERIES | 8 |
| A430593 | TELESCOPIC BOOM ASSEMBLY 800 SERIES | 10 |
| A430596 | INNER BOOM ASSEMBLY 800 SERIES | 12 |
| A436965 | ATTACHMENT COUPLING PLATE 800 SERIES | 14 |
| A436614 | LOCKING PIN ASSEMBLY ATTACHM COUPL PLATE | 16 |
| A436687 | LINKAGE PIECE "BOOMERANG" CAST STEEL | 18 |
| 65252 | MULTI CONNECTOR, ON LOADER | 20 |
| A459054 | HYDRAULIC HOSES AND TUBES BOOM 800 | 22 |
| A456514 | HYDRAULIC TUBES BOOM 800 SERIES | 24 |
| A444784 | | 26 |
| A429030 | CONTROL VALVE HDS16 | 28 |
| A452569 | CONTROL LEVERS ASSEMBLY CONTROL VALVE | 30 |
| A436748 | CONTROL LEVER AUX. HYDR. FRONT ASSEMBLY | 32 |
| A444984 | HYDRAULIC MANIFOLD WITH FITTINGS 500-800 | 34 |
| A435446 | STEERING COLUMN ASSEMBLY | 36 |
| A436850 | HYDR. HOSES ORBITROL 800 SERIES | 38 |
| A438996 | DRIVE PEDAL ASSEMBLY | 40 |
| A450648 | HYDRAULIC OIL COOLER ASSEMBLY 800 SERIES | 42 |
| A450650 | HYDRAULIC MANIFOLD ASSEMBLY TANK LINE | 44 |
| A456553 | | 46 |
| A442111 | REAR CHASSIS ASSEMBLY 800 SERIES TIER 4 | 48 |
| A37449 | ARTICULATION JOINT ASSEMBL REAR FRAME | 50 |
| A415984 | LOAD SENSOR SYSTEM, COMPLETE ASSEMBLY | 52 |
| A429342 | REAR WEIGHT/BUMPER 275 KG ASSEMBLY | 54 |
| A459121 | ENGINE ASSEMBLY KUBOTA V2403 745/750 | 56 |
| 65206 | ENGINE V2403-M-E3B-AVN-1 *EU EXPORT ONLY | 58 |
| A463305 | | 60 |
| A463334 | | 62 |
| A456555 | ENGINE BAY 735, 745, 750, 850 | 64 |
| A441676 | FUEL SYSTEM ASSEMBLY WITH FILTER 700/800 | 66 |
| A436129 | FUEL TANK ASSEMBLY 66L | 68 |
| A455660 | HYDRAULIC MANIFOLD ASSEMBLY 800 SERIES | 70 |
| A463303 | | 72 |
| A463291 | AIR FILTER ASSEMBLY 745/750/850 KUBOTA | 74 |
| A460889 | RADIATOR ASSEMBLY | 76 |
| A461143 | WIND TUNNEL NO. 2 ASSEMBLY | 78 |
| A429273 | HYDRAULIC PUMPS ASSEMBLY 745/750 OPTIDRI | 80 |
| A463333 | | 82 |
| A453526 | ROPS/FOPS CAB ASSEMBLY 800 SERIES | 84 |
| A426681 | ROPS+FOPS CANOPY 800 SERIES, ASSEMBLY | 86 |
| A439987 | INSTRUMENT PANEL WITH DECAL 700 / 800 | 88 |
| A435860 | DASHBOARD ASSEMBLY 700-800 ROPS | 90 |
| A462178 | ELECTRIC COMPONENTS 850 SER3 | 92 |
| A462182 | | 94 |

23.1.2024

| | | | |
|----------------|---|--------------------------------|------------|
| A460853 | POWER SUPPLY ASSEMBLY 735-850 KUBOTA | | 96 |
| A451775 | WORK LIGHT LED ON FRONT COVER 1000LM | | 98 |
| A462253 | | | 100 |
| A462290 | | | 102 |
| A429275 | COVER PLATES, KIT, FRONT FRAME, 800 ROPS | *ABS | 104 |
| A438618 | COVER PLATES HD KIT FRONT FRAME 800 ROPS | *PC/HD, optional extra A429275 | 106 |
| A442266 | COVER PLATES REAR FRAME ABS 700/800 | *ABS | 108 |
| A445553 | COVER PLATES REAR FRAME HD POLYCARBONATE | *PC/HD, optional extra | 110 |
| A437518 | MUDGUARDS REAR 700/800 STAGE 5 | *Mud guards | 112 |
| A451291 | HYDR. HOSES DRIVE, WITH ANTI SLIP 860I | | 114 |
| A454024 | HYDRAULIC MANIFOLD ANTI SLIP VALVE | | 116 |
| A454022 | HYDRAULIC MANIFOLD 2-SPEED | | 118 |
| A439264 | CAB L, 800 SERIES | | 120 |
| A436328 | TANK WINDSCREEN WASHER, ASSEMBLY | | 122 |
| A444539 | CAB GT, 700 SERIES | | 124 |
| A453487 | BASIC PARTS CAB GT | | 126 |
| A448117 | | | 128 |
| A438895 | LATCH ASSEMBLY | | 130 |
| A453483 | | | 132 |
| A445896 | WINDSCREEN ASSEMBLY CAB GT | | 134 |
| A449928 | WINDSCREEN WIPER ASSEMBLY CAB GT | | 136 |
| A436771 | REAR WINDOWS CAB GT | | 138 |
| A434952 | WINDOW RIGHT ASSEMBLY CAB GT | | 140 |
| A436900 | SUNROOF ASSEMBLY CAB GT | | 142 |
| A434950 | DOOR ASSEMBLY CAB GT | | 144 |
| A453489 | UPHOLSTERY ASSEMBLY CAB GT | | 146 |
| A434208 | FLOOR MAT ASSEMBLY CAB GT | | 148 |
| A436615 | HEAT SHIELD ASSEMBLY CAB GT | | 150 |
| A436754 | B-PILLARS CAB GT | | 152 |
| A436635 | AIR DUCTS ASSEMBLY CAB GT | | 154 |
| A434410 | SERVICE HATCH ASSEMBLY CAB GT | | 156 |
| A438892 | UPHOLSTERY ASSEMBLY CEILING CAB GT | | 158 |
| A438887 | SUN VISOR ASSEMBLY CAB GT | | 160 |
| A438452 | NET POCKET ASSEMBLY CAB GT | | 162 |
| A438443 | NET POCKET REAR ASSEMBLY CAB GT | | 164 |
| A448127 | CONTROLS ASSEMBLY CAB GT | | 166 |
| A465450 | | | 168 |
| A436574 | DASHBOARD CAB GT / DLX | | 170 |
| A446010 | TANK ASSEMBLY WINDSCREEN WASHER | | 172 |
| A449724 | SEAT FULL SUSPENSION FABRIC HEATER MSG65 | | 174 |
| A438246 | HEATER ASSEMBLY CAB GT | | 176 |
| A442729 | | | 178 |
| A465346 | | | 180 |
| A450869 | AIR CONDITIONING ASSEMBLY CAB GT | | 182 |
| A434047 | HEATER MODULE CAB GT | | 184 |

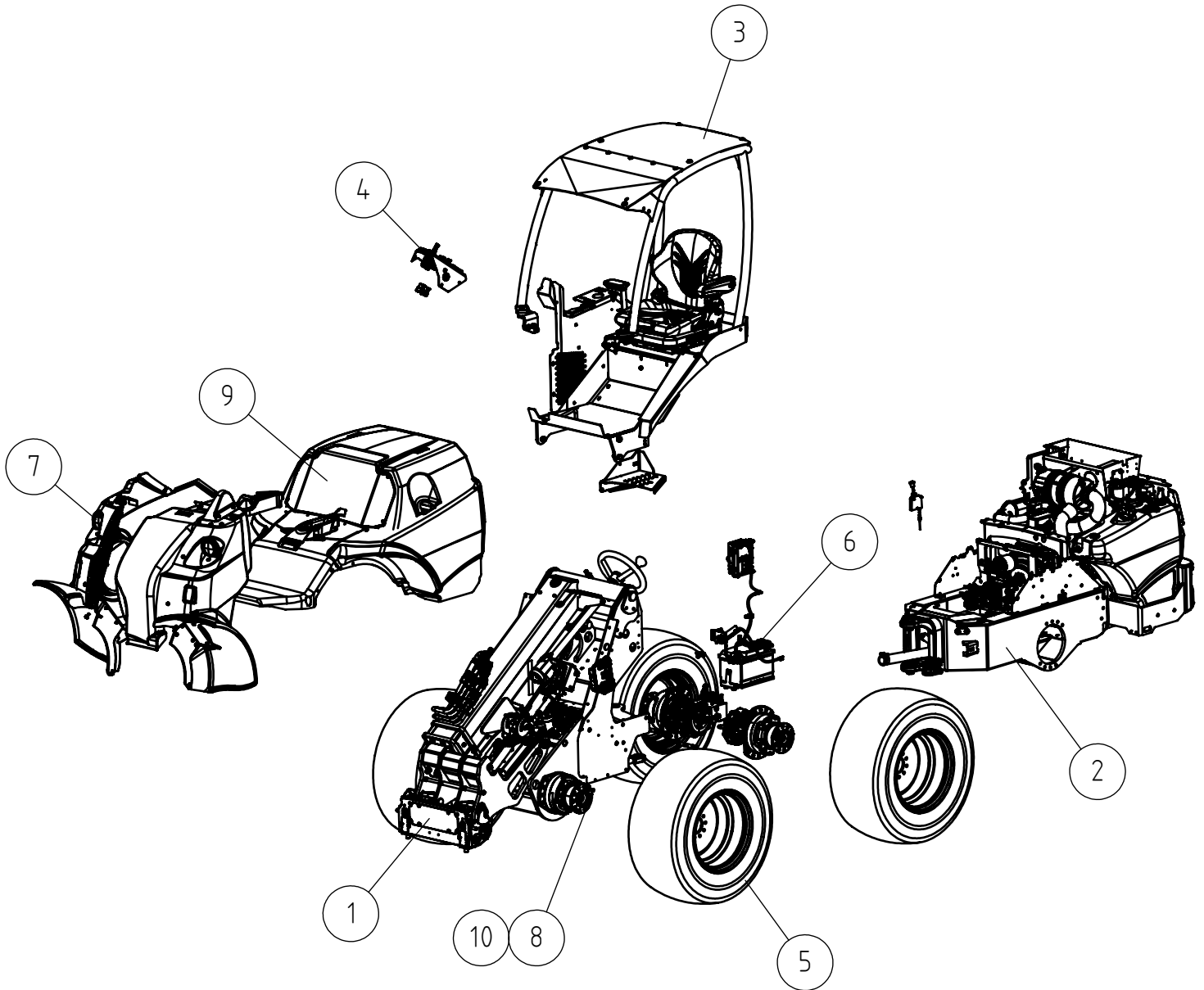
--->

23.1.2024

| | | |
|----------------|--|------------|
| <u>A449155</u> | <u>CONDENSER WITH RECEIVER DRIER A/C CAB GT</u> | <u>186</u> |
| <u>A465335</u> | | <u>188</u> |
| <u>A465379</u> | <u>COMPRESSOR ASSEMBLY A/C</u> | <u>190</u> |
| <u>A450647</u> | <u>SMOOTH DRIVE - BOOM SUSPENSION 800</u> | <u>192</u> |
| <u>A449741</u> | <u>DIRECTIONAL VALVE ASSEMBLY BOOM FLOAT &</u> | <u>194</u> |
| <u>A449669</u> | <u>SOLENOID VALVE 2/2</u> | <u>196</u> |
| <u>A453186</u> | <u>HYDRAULIC QUICK ATTACH PLATE 800 SERIES</u> | <u>198</u> |
| <u>A449703</u> | <u>VALVE ASSEMBLY HYDR. ATTACHMENT COUPLING</u> | <u>200</u> |
| <u>A454220</u> | <u>ATTACHMENT CONTROL SWITCH PACK</u> | <u>202</u> |
| <u>A434868</u> | <u>ANTI SLIP VALVE 800 SERIES OPTIDRIVE</u> | <u>204</u> |
| <u>A435400</u> | <u>JOYSTICK 8 FUNCTION WITH ANTI SLIP</u> | <u>206</u> |
| <u>A35957</u> | <u>REAR WEIGHT 29 KG WITH HANDLE, CAST IRON</u> | <u>208</u> |
| <u>A441666</u> | <u>ATTACHMENT MOUNTING PLATE REAR 800</u> | <u>210</u> |
| <u>A438492</u> | <u>SUPPORT FRAME, HYDR. REAR LIFT 800 SER</u> | <u>212</u> |
| <u>A429332</u> | <u>FRAME, HYDRAULIC REAR LIFT 700/800 SER</u> | <u>214</u> |
| <u>A424914</u> | <u>ROLLER, HYDR. REAR LIFT 700 SERIES</u> | <u>216</u> |
| <u>A424919</u> | <u>REAR BUMPERS HYDR. REAR LIFT 700/800</u> | <u>218</u> |
| <u>A438490</u> | <u>HYDRAULIC REAR LIFT 800 SERIES</u> | <u>220</u> |
| <u>A430749</u> | <u>HYDRAULIC COMPONENTS, REAR LIFT 700/800</u> | <u>222</u> |
| <u>A431364</u> | <u>WIRE HARNESS HYDR. REAR LIFT 700 SERIES</u> | <u>224</u> |
| <u>A429306</u> | <u>HYDRAULIC CYLINDERS REAR LIFT 700/800</u> | <u>226</u> |
| <u>A417323</u> | <u>BALL HITCH, REAR, 50 MM COMPLETE ASSEMBLY</u> | <u>228</u> |
| <u>A417337</u> | <u>BALL HITCH, REAR, 50MM WITH TOWING PIN</u> | <u>230</u> |
| <u>A444928</u> | <u>BALL HITCH REAR WITH TOWING PIN F50</u> | <u>232</u> |
| <u>A438520</u> | <u>WORK LIGHT KIT, 3 LED LIGHTS 700 LUMEN</u> | <u>234</u> |
| <u>A438528</u> | <u>WORK LIGHT KIT LED 700LM CAB GT</u> | <u>236</u> |
| <u>A438539</u> | <u>WORK LIGHT KIT LED 2500LM CAB GT</u> | <u>238</u> |
| <u>A454167</u> | <u>ROAD TRAFFIC KIT, ON ROPS 860I, WEEK</u> | <u>240</u> |
| <u>A452132</u> | <u>HEADLAMP ASSEMBLY AVANT 800 CAB GT &</u> | <u>242</u> |
| <u>A455539</u> | <u>ROAD TRAFFIC KIT CAB GT 800 SERIES, WEEK</u> | <u>244</u> |
| <u>A438530</u> | <u>BEACON 800 SERIES</u> | <u>246</u> |
| <u>A418817</u> | <u>TRAILER SOCKET 7 PIN, KIT, 700/800</u> | <u>248</u> |
| <u>A419474</u> | <u>ENGINE BLOCK HEATER, 755I/760I/860I</u> | <u>250</u> |
| <u>A438525</u> | <u>REVERSE BEEPER, KIT, 755I/760I/860I</u> | <u>252</u> |

23.1.2024

A456495



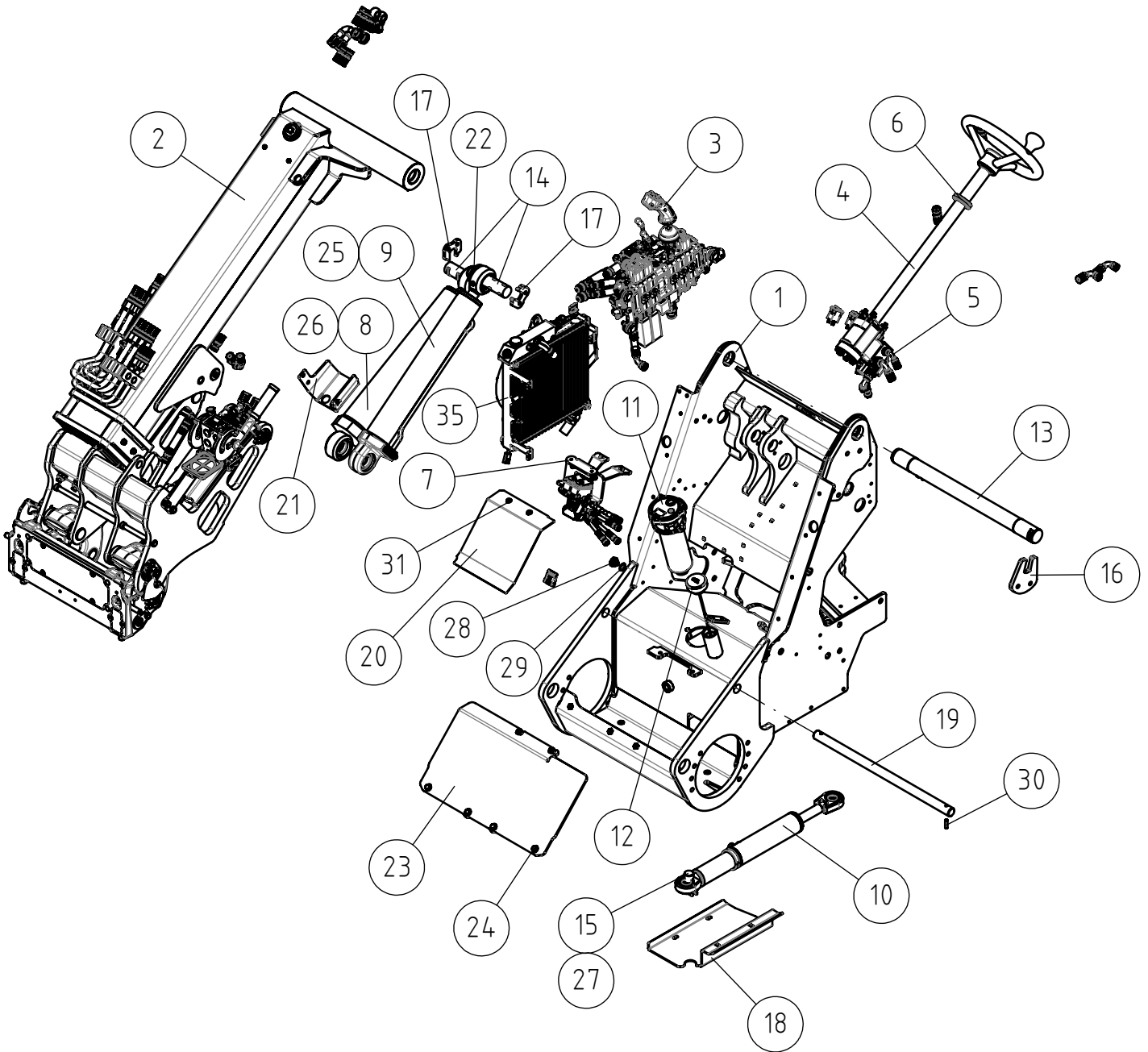
23.1.2024

A456495

| REF | PART NO | QTY | DESCRIPTION | NOTES | PAGE |
|-----|---------|-----|--|---------|------|
| 1 | A454575 | 1 | FRONT FRAME ASSEMBLY 800 SERIES | | 8 |
| 2 | A456553 | 1 | | | 46 |
| 3 | A453526 | 1 | ROPS/FOPS CAB ASSEMBLY 800 SERIES | | 84 |
| 4 | A435860 | 1 | DASHBOARD ASSEMBLY 700-800 ROPS | | 90 |
| 5* | 66505 | 4 | WHEEL (TYRE+RIM) 380/55-17 TRACTOR | tractor | - |
| 5** | A442475 | 4 | WHEEL (TYRE+RIM) 380/55-17 GRASS PROFILE | grass | - |
| 6 | A462178 | 1 | ELECTRIC COMPONENTS 850 SER3 | | 92 |
| 7 | A451775 | 1 | WORK LIGHT LED ON FRONT COVER 1000LM | | 98 |
| 8 | A462253 | 1 | | | 100 |
| 9 | A462290 | 1 | | | 102 |
| 10 | A451291 | 1 | HYDR. HOSES DRIVE, WITH ANTI SLIP 860I | | 114 |

23.1.2024

A454575 FRONT FRAME ASSEMBLY 800 SERIES



23.1.2024

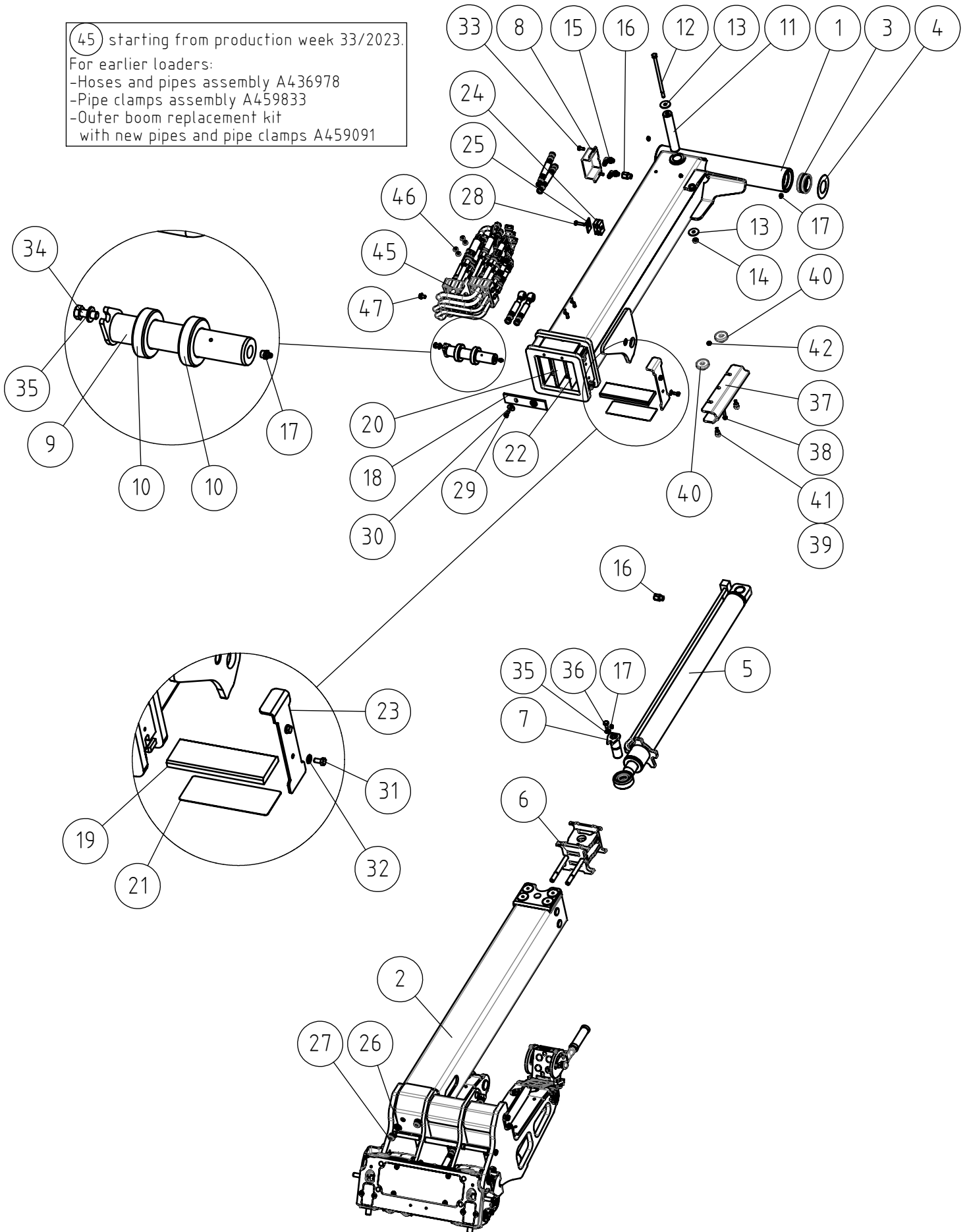
A454575 FRONT FRAME ASSEMBLY 800 SERIES

| REF | PART NO | QTY | DESCRIPTION | NOTES | PAGE |
|------|---------|-----|--|-------|------|
| 1 | A21732 | 1 | FRONT FRAME 800 SERIES | | - |
| 2 | A430593 | 1 | TELESCOPIC BOOM ASSEMBLY 800 SERIES | | 10 |
| 2.1 | A444453 | 1 | SERVICE KIT BOOM 800 SERIES | | - |
| 2.2 | A443340 | 1 | SLIDE PAD KIT TELESCOPIC BOOM A430593 | | - |
| 3 | A444784 | 1 | | | 26 |
| 4 | A435446 | 1 | STEERING COLUMN ASSEMBLY | | 36 |
| 5 | A436850 | 1 | HYDR. HOSES ORBITROL 800 SERIES | | 38 |
| 6 | A428827 | 1 | RUBBER BUSHING STEERING COLUMN | | - |
| 7 | A438996 | 1 | DRIVE PEDAL ASSEMBLY | | 40 |
| 8 | A423143 | 1 | HYDRAULIC CYLINDER 90/45-450 | | - |
| 8.1 | A446918 | 1 | SEAL KIT, HYDR. CYLINDER F90/45 AMA | | - |
| 9 | A424365 | 1 | HYDRAULIC CYLINDER 70/35-450 | | - |
| 9.1 | A446917 | 1 | SEAL KIT, HYDR. CYLINDER F70/35 AMA | | - |
| 10 | A428384 | 1 | HYDRAULIC CYLINDER 60/30-172 | | - |
| 10.1 | A443663 | 1 | SEAL KIT, HYDR. CYLINDER F60/30 AMA | | - |
| 10.2 | A443667 | 1 | REPAIR KIT HYDR. CYLINDER A428384 | | - |
| 10.3 | A443666 | 1 | VENT, HYDR. CYLINDER A428384 | | - |
| 11 | 65205 | 1 | HYDR. OIL FILTER RETURN, COMPLETE | | - |
| 11.1 | 65227 | 1 | HYDR. OIL FILTER CARTRIDGE, RETURN | | - |
| 11.2 | A427821 | 1 | SEAL KIT HYDRAULIC RETURN OIL FILTER | | - |
| 11.3 | A430808 | 1 | FILTER BOWL LONG, HYDR. RETURN OIL | | - |
| 12 | A48010 | 1 | DIPSTICK L=230 HYDR. OIL R1 1/4" | | - |
| 13 | A430647 | 1 | PIVOT PIN 50-654 | | - |
| 14 | A428791 | 2 | PIVOT PIN 40-167 | | - |
| 15 | A47655 | 1 | PIVOT PIN F30-60 | | - |
| 16 | A430656 | 1 | LOCKING PLATE 30MM + 2XM12 | | - |
| 17 | A428823 | 2 | LOCKING PLATE 30MM + 2XM10 | | - |
| 18 | A410452 | 1 | BOTTOM PLATE | | - |
| 19 | A431489 | 1 | ROD 29-628 | | - |
| 20 | A432186 | 1 | PROTECTIVE PLATE, PEDAL VALVE | | - |
| 21 | A433014 | 1 | PROTECTIVE PLATE HOSES | | - |
| 22 | A411429 | 3 | SPACER S=6 | | - |
| 23 | A431611 | 1 | COVER DRIVE MOTORS FRONT | | - |
| 24 | A442181 | 6 | HEXAGONAL SCREW M10*20 DIN 6921 | | - |
| 25 | 64041 | 2 | BASIC FITTING F40XS10-3/8 /8 | | - |
| 26 | 64044 | 2 | ELBOW FITTING 90° C40XS10-3/8 /8 | | - |
| 27 | 72798 | 1 | GREASE NIPPLE R 1/8" STRAIGHT | | - |
| 28 | 64352 | 1 | HEXAGONAL DRAIN PLUG, MAGNETIC R 1/2 | | - |
| 29 | 75117 | 1 | SEAL RING F26/F21*1,5 | | - |
| 30 | 71773 | 2 | SPRING COTTER PIN 8* 32 DIN 1481 | | - |
| 31 | A435496 | 2 | THREAD-FORMING SCREW M8*20 DIN 7500C | | - |
| 32 | A49452 | 1 | WIRE HARNESS, REAR AUX. HYDRAULICS | | - |
| 33 | 65276 | 1 | ROCKER SWITCH, REAR AUXILIARY HYDRAULICS | | - |
| 34 | A37231 | 1 | WIRE HARNESS PARKING BRAKE/2-SPEED | | - |
| 35 | A450648 | 1 | HYDRAULIC OIL COOLER ASSEMBLY 800 SERIES | | 42 |

23.1.2024

A430593 TELESCOPIC BOOM ASSEMBLY 800 SERIES

45 starting from production week 33/2023.
 For earlier loaders:
 -Hoses and pipes assembly A436978
 -Pipe clamps assembly A459833
 -Outer boom replacement kit
 with new pipes and pipe clamps A459091

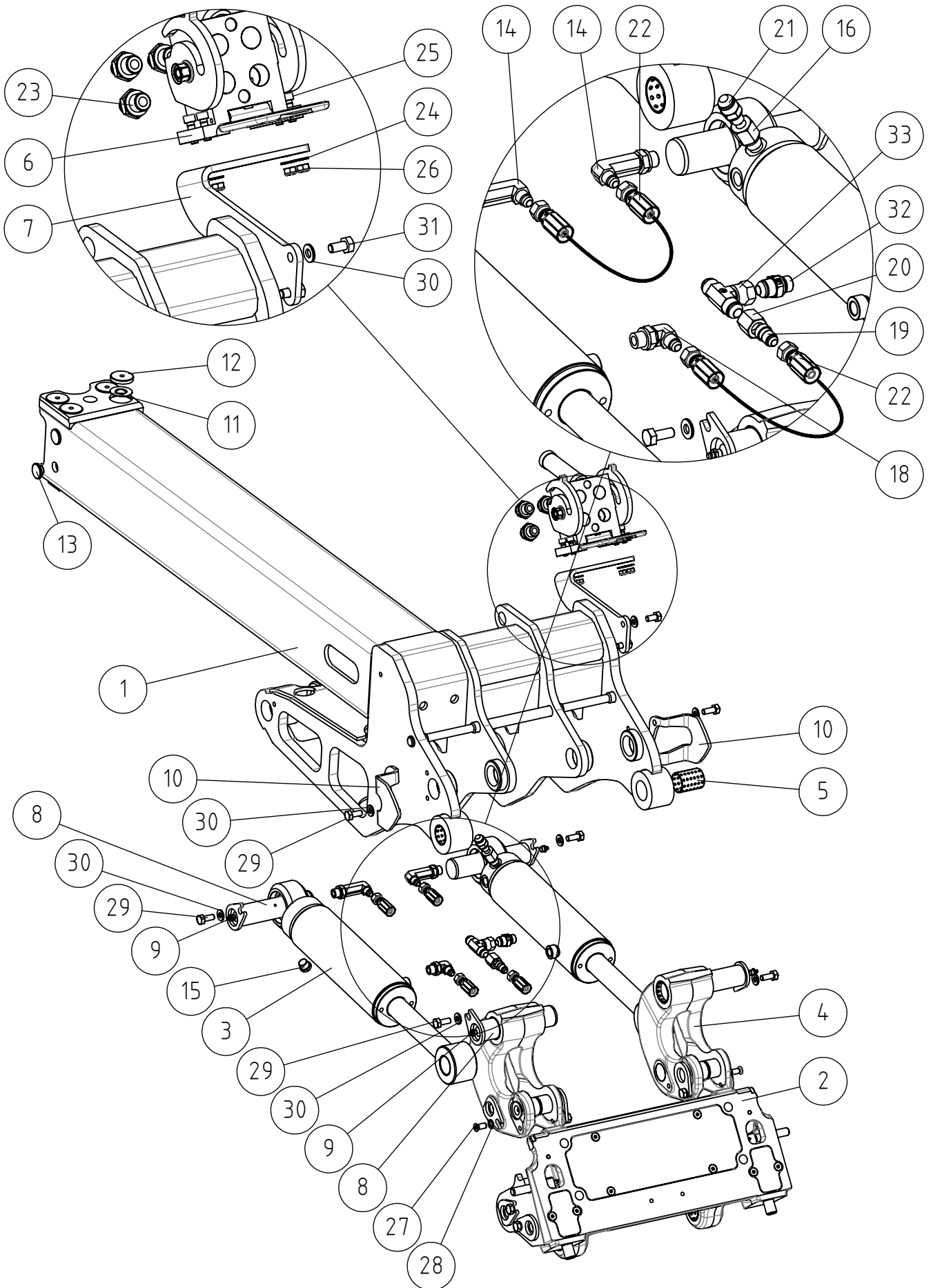


A430593 TELESCOPIC BOOM ASSEMBLY 800 SERIES

| REF | PART NO | QTY | DESCRIPTION | NOTES | PAGE |
|-----|---------|-----|--|-------|------|
| 1 | A37280 | 1 | OUTER BOOM, TELESCOPIC BOOM 800 SERIES | | - |
| 2 | A430596 | 1 | INNER BOOM ASSEMBLY 800 SERIES | | 12 |
| 3 | A430590 | 2 | ARTICUL. BEARING GE50S F75/50 | | - |
| 4 | A431962 | 2 | WASHER 51/95 - 1 | | - |
| 5 | A428366 | 1 | HYDRAULIC CYLINDER 70/45-825 | | - |
| 6 | A430637 | 1 | BRACKET TELESCOPING CYLINDER | | - |
| 7 | A412814 | 1 | PIVOT PIN F35-98 | | - |
| 8 | A433203 | 1 | PROTECTIVE PLATE HOSES TELESCOPE | | - |
| 9 | A430882 | 1 | PIVOT PIN 40-210 | | - |
| 10 | A430910 | 2 | BUSHING 69/40 L=18 | | - |
| 11 | A430884 | 1 | PIVOT PIN 35-196 | | - |
| 12 | A430906 | 1 | HEXAGONAL SCREW M10*220 DIN 931 | | - |
| 13 | A430908 | 2 | WASHER 40/11 | | - |
| 14 | 72322 | 1 | HEXAGONAL NUT M 10 NYLOC DIN 985 | | - |
| 15 | 64087 | 2 | ELBOW FITTING 90 DEGR. /4# | | - |
| 16 | 64324 | 2 | REDUCER FITTING RI 3/8"-EDX 1/4" | | - |
| 17 | 72798 | 7 | GREASE NIPPLE R 1/8" STRAIGHT | | - |
| 18 | A430927 | 1 | SCRAPER TELESCOPIC BOOM | | - |
| 19 | A430928 | 2 | SLIDE PAD 15X72X216 TELESCOPIC BOOM | | - |
| 20 | A430929 | 2 | SLIDE PAD 15X72X157 TELESCOPIC BOOM | | - |
| 21 | A430931 | 4 | ADJUSTMENT PLATE 198X72 1MM | | - |
| 22 | A430932 | 4 | ADJUSTMENT PLATE 157X72 1MM | | - |
| 23 | A430934 | 2 | COVER PLATE SLIDE PAD | | - |
| 24 | 64886 | 2 | PIPE CLAMP 214/14 | | - |
| 25 | 73767 | 2 | COVER PLATE GD2-D, PIPE CLAMP | | - |
| 26 | A430193 | 2 | WASHER M16 A17 DIN 125 | | - |
| 27 | 72330 | 2 | HEXAGONAL NUT M16 NYLOC DIN 985 | | - |
| 28 | 73443 | 2 | HEXAGONAL SCREW M8*35 | | - |
| 29 | 72130 | 2 | HEXAGONAL SCREW M8*20 | | - |
| 30 | 71685 | 2 | WASHER M8 R9 DIN 440 ZN | | - |
| 31 | 73039 | 4 | HEXAGONAL SCREW M 8*16 DIN 933 ZN | | - |
| 32 | 63944 | 4 | WASHER, PAIR, NORD-LOCK M8 | | - |
| 33 | A435496 | 2 | THREAD-FORMING SCREW M8*20 DIN 7500C | | - |
| 34 | 72150 | 1 | HEXAGONAL SCREW M10*25 DIN 933 ZN | | - |
| 35 | 75102 | 2 | SPACER NORDLOCK M10 NL10SP, PAIR | | - |
| 36 | 73040 | 1 | HEXAGONAL SCREW M10*20 DIN 933 ZN | | - |
| 37 | A431796 | 1 | SERVICE SUPPORT, LIFT CYLINDER L=300 | | - |
| 38 | 72141 | 1 | HEXAGONAL SCREW M8*70 DIN 931 | | - |
| 39 | A429203 | 2 | HEXAGONAL SERRATED SCREW M8*30 WITH | | - |
| 40 | 64188 | 2 | FINGER SCREW R5026M8S | | - |
| 41 | 72320 | 2 | HEXAGONAL NUT M8 NYLOC DIN 985 | | - |
| 42 | 72319 | 1 | HEXAGONAL NUT M8 DIN 934 | | - |
| 43 | A441791 | 1 | WASHER 51/95 - 1,5 | | - |
| 44 | A441792 | 1 | WASHER 51/95 - 2,0 | | - |
| 45 | A459054 | 1 | HYDRAULIC HOSES AND TUBES BOOM 800 | | 22 |
| 46 | A450046 | 4 | HEXAGONAL NUT M8 WITH FLANGE | | - |
| 47 | A443858 | 1 | HEXAGONAL SCREW M10*16 DIN 6921 | | - |
| - | A444453 | 1 | SERVICE KIT BOOM 800 SERIES | | - |
| - | A443340 | 1 | SLIDE PAD KIT TELESCOPIC BOOM A430593 | | - |

23.1.2024

A430596 INNER BOOM ASSEMBLY 800 SERIES



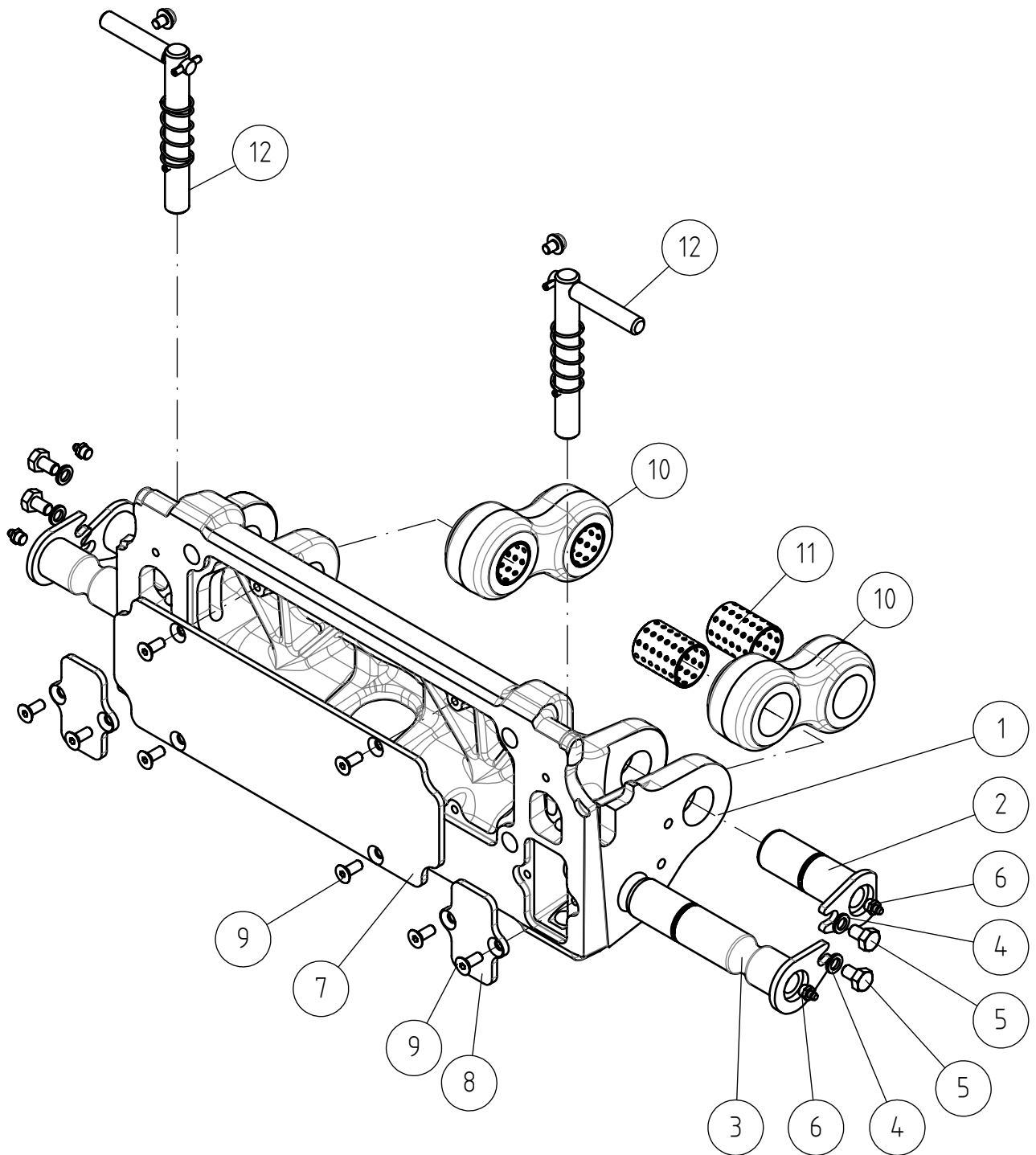
23.1.2024

A430596 INNER BOOM ASSEMBLY 800 SERIES

| REF | PART NO | QTY | DESCRIPTION | NOTES | PAGE |
|-----|---------|-----|--|-------|------|
| 1 | A430529 | 1 | INNER BOOM 800 SERIES | | - |
| 2 | A436965 | 1 | ATTACHMENT COUPLING PLATE 800 SERIES | | 14 |
| 3 | A424320 | 2 | HYDRAULIC CYLINDER 80/40-204 | | - |
| 3.1 | 65002 | 1 | SEAL KIT, 80/40CYLINDER | | - |
| 4 | A436687 | 2 | LINKAGE PIECE "BOOMERANG" CAST STEEL | | 18 |
| 5 | 64913 | 2 | SLIDE BEARING BRM-80 F39/F35-50 | | - |
| 6 | 65252 | 1 | MULTI CONNECTOR, ON LOADER | | 20 |
| 7 | A434393 | 1 | MOUNTING BRACKET MULTI CONNECTOR | | - |
| 8 | A412810 | 4 | PIVOT PIN F40-167 | | - |
| 9 | 72798 | 4 | GREASE NIPPLE R 1/8" STRAIGHT | | - |
| 10 | A430655 | 2 | RELEASE PLATE | | - |
| 11 | A47941 | 4 | SLIDE PLATE | | - |
| 12 | A47922 | 4 | ROLLER, BOOM | | - |
| 13 | A48343 | 4 | ROLLER, BOOM | | - |
| 14 | 64111 | 2 | ELBOW FITTING 90 DEGR. COA-10-3/8" LONG | | - |
| 15 | 74411 | 1 | HEXAGONAL PLUG HF 3/8" HTUNG | | - |
| 16 | 64324 | 1 | REDUCER FITTING RI 3/8"-EDX 1/4" | | - |
| 17 | 64069 | 1 | T-FITTING BODY S40XS12-3/8 | | - |
| 18 | 64044 | 1 | ELBOW FITTING 90° C40XS10-3/8 /8 | | - |
| 19 | 64051 | 1 | REDUCER FITTING TRTXS12-10 | | - |
| 20 | 64052 | 1 | BINDING NUT BTXS12 | | - |
| 21 | 65918 | 1 | BASIC FITTING F40XS12-1/4 | | - |
| 22 | A436623 | 2 | HYDR. HOSE L=400 | | - |
| 23 | 65060 | 3 | BASIC FITTING F40XS16-1/2 | | - |
| 24 | 73122 | 4 | WASHER M8 A8,4 DIN 125 ZN | | - |
| 25 | 71884 | 4 | HEXAGONAL HEAD SCREW M 8*25 DIN 912 2 | | - |
| 26 | 72320 | 4 | HEXAGONAL NUT M8 NYLOC DIN 985 | | - |
| 27 | A433054 | 2 | HEXAGONAL HEAD SCREW M10*20 10.9 2 | | - |
| 28 | 74531 | 2 | SPACER NORDLOCK M10, PAIR | | - |
| 29 | 72150 | 6 | HEXAGONAL SCREW M10*25 DIN 933 ZN | | - |
| 30 | 75102 | 8 | SPACER NORDLOCK M10 NL10SP, PAIR | | - |
| 31 | 73040 | 2 | HEXAGONAL SCREW M10*20 DIN 933 ZN | | - |
| 32 | 64042 | 1 | BASIC FITTING F40XS12-3/8 /8 | | - |
| 33 | 64307 | 1 | T FITTING BODY S6XS12 UNF3/4"JIC-2*UNF3/ | | - |

23.1.2024

A436965 ATTACHMENT COUPLING PLATE 800 SERIES



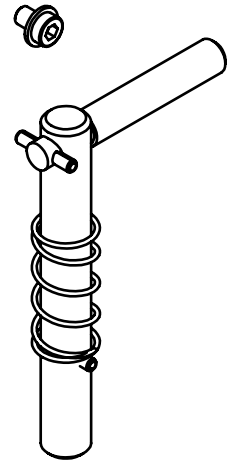
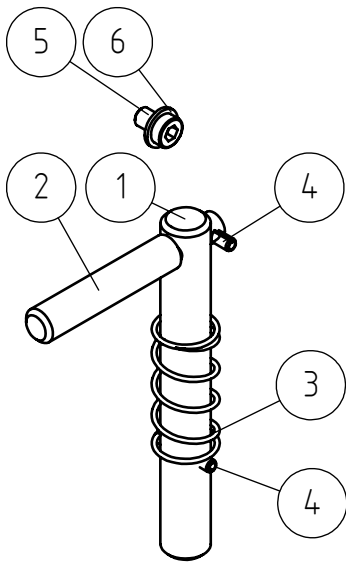
23.1.2024

A436965 ATTACHMENT COUPLING PLATE 800 SERIES

| REF | PART NO | QTY | DESCRIPTION | NOTES | PAGE |
|-----|---------|-----|--|-------|------|
| 1 | A435467 | 1 | ATTACHMENT COUPLING PLATE ADI CAST STEEL | | - |
| 2 | A412814 | 2 | PIVOT PIN F35-98 | | - |
| 3 | A427469 | 2 | PIVOT PIN 35-175 | | - |
| 4 | 74531 | 4 | SPACER NORDLOCK M10, PAIR | | - |
| 5 | 72147 | 4 | HEXAGONAL SCREW M 10*16 DIN 933 | | - |
| 6 | 72798 | 4 | GREASE NIPPLE R 1/8" STRAIGHT | | - |
| 7 | A427458 | 1 | COVERING PLATE 378X127 ATTACHM COUPL PLA | | - |
| 8 | A427464 | 2 | COVERING PLATE 87X47 ATTACHM COUPL PLATE | | - |
| 9 | 72052 | 8 | COUNTERSUNK SOCKET HEAD SCREW M8*20 DIN | | - |
| 10 | A430007 | 2 | LINKAGE PIECE 700/800 SERIES | | - |
| 11 | 64913 | 4 | SLIDE BEARING BRM-80 F39/F35-50 | | - |
| 12 | A436614 | 1 | LOCKING PIN ASSEMBLY ATTACHM COUPL PLATE | | 16 |

23.1.2024

A436614 LOCKING PIN ASSEMBLY ATTACHM COUPL PLATE



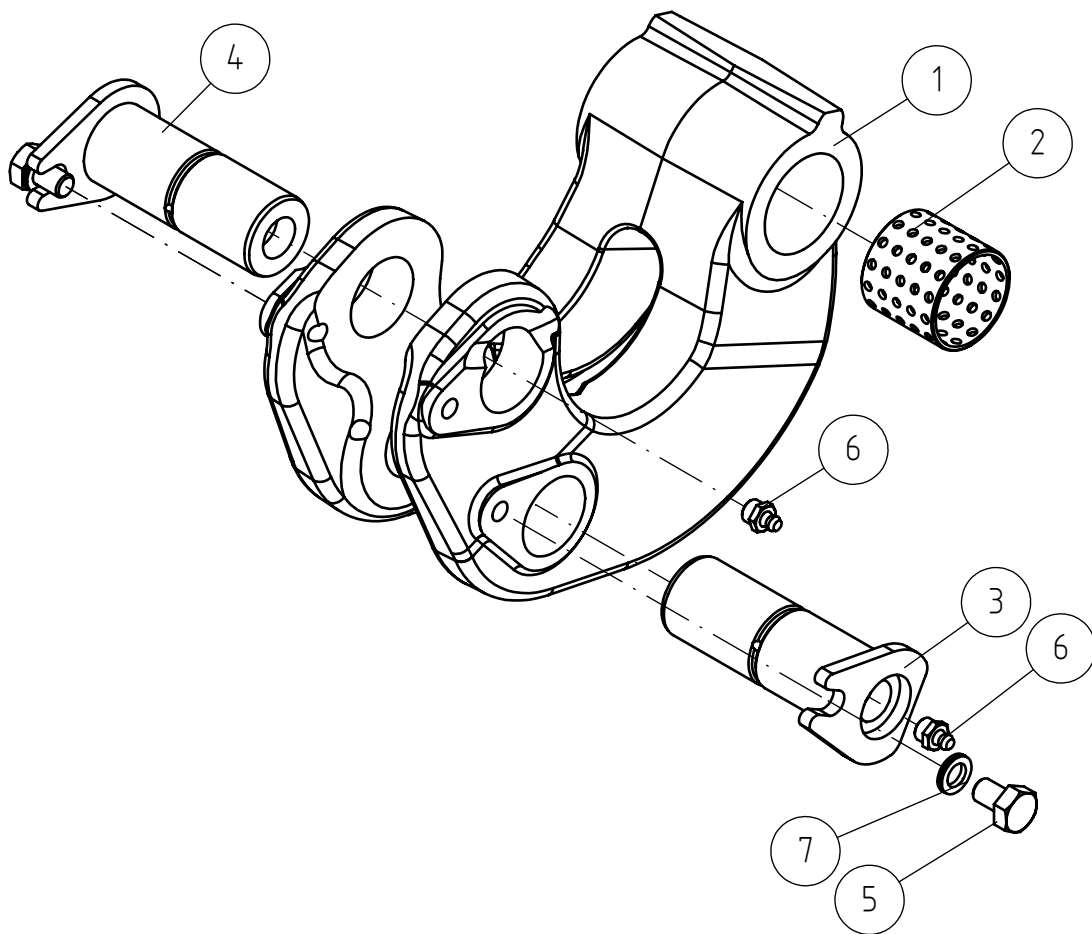
23.1.2024

A436614 LOCKING PIN ASSEMBLY ATTACHM COUPL PLATE

| REF | PART NO | QTY | DESCRIPTION | NOTES | PAGE |
|-----|---------|-----|-------------------------------------|-------|------|
| 1 | A47687 | 2 | LOCKING PIN F20 | | - |
| 2 | A47688 | 2 | LATCH PIN | | - |
| 3 | 64138 | 2 | COMPRESSION SPRIG DIN 2098 2*25*135 | | - |
| 4 | 73661 | 4 | SPRING PIN 5*30 DIN 1481 | | - |
| 5 | 74932 | 2 | HEXAGONAL HEAD SCREW M8*12 | | - |
| 6 | 73122 | 2 | WASHER M8 A8,4 DIN 125 ZN | | - |

23.1.2024

A436687 LINKAGE PIECE "BOOMERANG" CAST STEEL



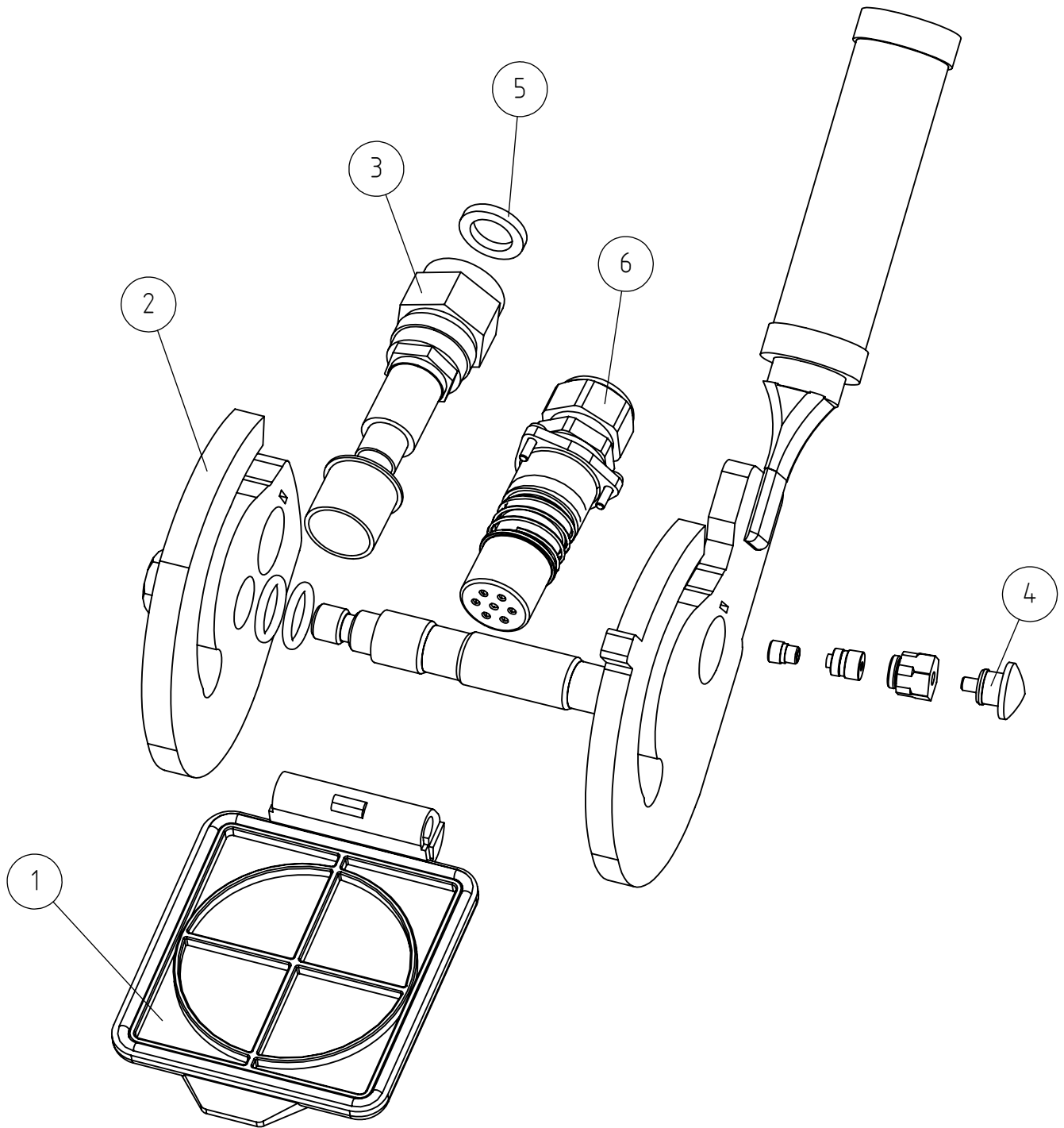
23.1.2024

A436687 LINKAGE PIECE "BOOMERANG" CAST STEEL

| REF | PART NO | QTY | DESCRIPTION | NOTES | PAGE |
|-----|---------|-----|--|-------|------|
| 1 | A435456 | 1 | LINKAGE PIECE "BOOMERANG" CAST STEEL ADI | | - |
| 2 | 64912 | 2 | SLIDE BEARING BRM-80 TF44/F40-40 | | - |
| 3 | A430579 | 1 | PIVOT PIN 35-103 | | - |
| 4 | A430582 | 1 | PIVOT PIN 35-92 | | - |
| 5 | 72147 | 2 | HEXAGONAL SCREW M 10*16 DIN 933 | | - |
| 6 | 72798 | 2 | GREASE NIPPLE R 1/8" STRAIGHT | | - |
| 7 | 74531 | 2 | SPACER NORDLOCK M10, PAIR | | - |

23.1.2024

65252 MULTI CONNECTOR, ON LOADER



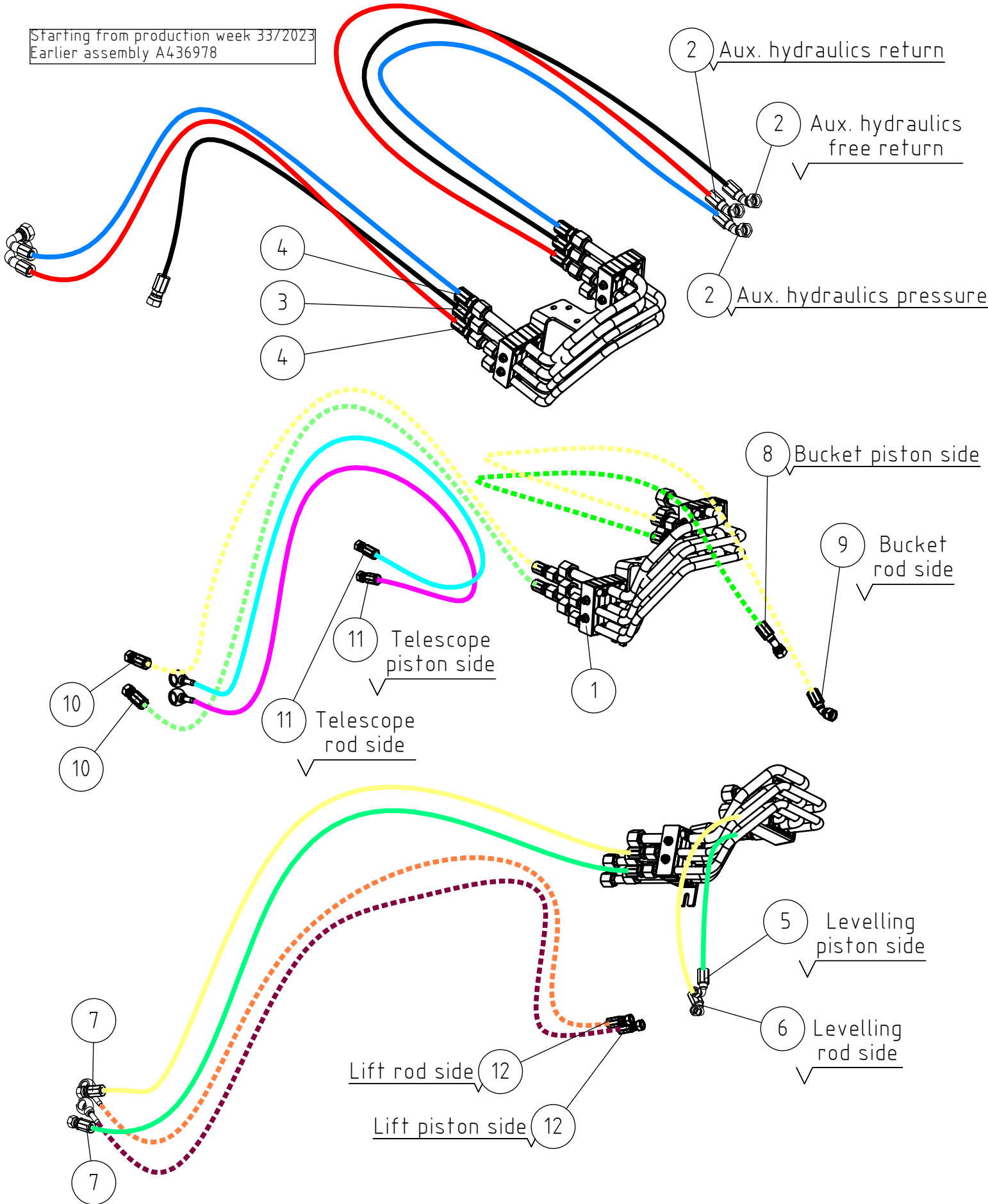
23.1.2024

65252 MULTI CONNECTOR, ON LOADER

| REF | PART NO | QTY | DESCRIPTION | NOTES | PAGE |
|-----|---------|-----|--|-------|------|
| 1 | 65882 | 1 | CAP PLATE, KIT, MULTI CONNECTOR | | - |
| 2 | 65884 | 1 | HANDLE, KIT, MULTI CONNECTOR ON LOADER | | - |
| 3 | 65881 | 1 | QUICK COUPLER, ON MULTI CONNECTOR | | - |
| 4 | 65883 | 1 | SAFETY BUTTON, KIT, MULTI CONNECTOR | | - |
| 5 | 65880 | 1 | SEAL RING, MULTI CONNECTOR SK MF 12 | | - |
| 6 | 75035 | 1 | ELECTRIC CONNECTOR FEMININE, FASTER | | - |

A459054 HYDRAULIC HOSES AND TUBES BOOM 800

Starting from production week 33/2023
Earlier assembly A436978



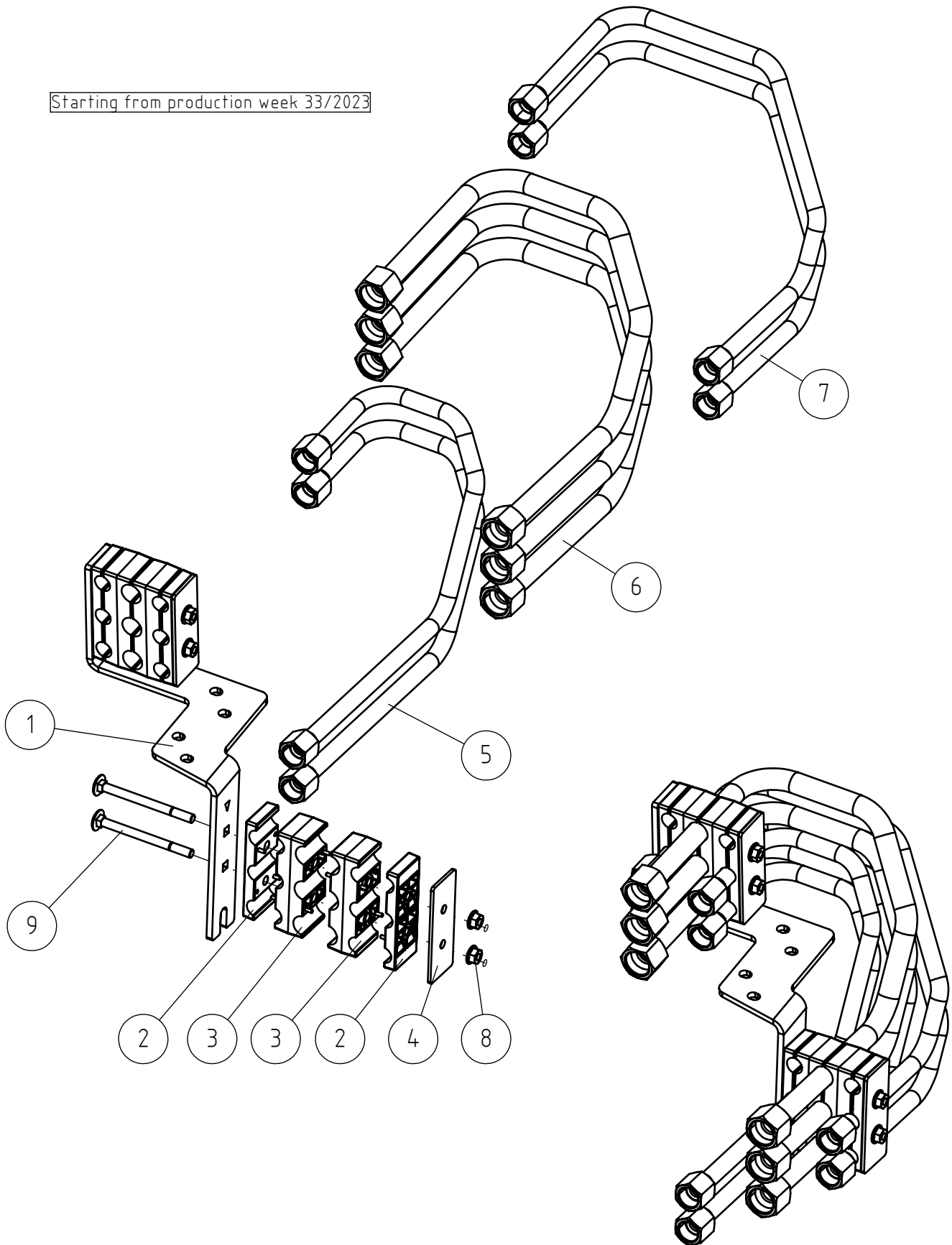
23.1.2024

A459054 HYDRAULIC HOSES AND TUBES BOOM 800

| REF | PART NO | QTY | DESCRIPTION | NOTES | PAGE |
|-----|---------|-----|---------------------------------|-------|------|
| 1 | A456514 | 1 | HYDRAULIC TUBES BOOM 800 SERIES | | 24 |
| 2 | A434564 | 3 | HYDR. HOSE L=1550 | | - |
| 3 | A450709 | 1 | HYDR. HOSE L=1200 | | - |
| 4 | A434563 | 2 | HYDR. HOSE L=1490 | | - |
| 5 | A434608 | 1 | HYDR. HOSE L=490 | | - |
| 6 | A434609 | 1 | HYDR. HOSE L=570 | | - |
| 7 | A445693 | 2 | HYDR. HOSE L=1650 | | - |
| 8 | A434614 | 1 | HYDR. HOSE L=1730 | | - |
| 9 | A434615 | 1 | HYDR. HOSE L=2030 | | - |
| 10 | A445695 | 2 | HYDR. HOSE L=1550 | | - |
| 11 | A445691 | 2 | HYDR. HOSE L=1690 | | - |
| 12 | A450706 | 2 | HYDR. HOSE L=2100 | | - |

A456514 HYDRAULIC TUBES BOOM 800 SERIES

Starting from production week 33/2023



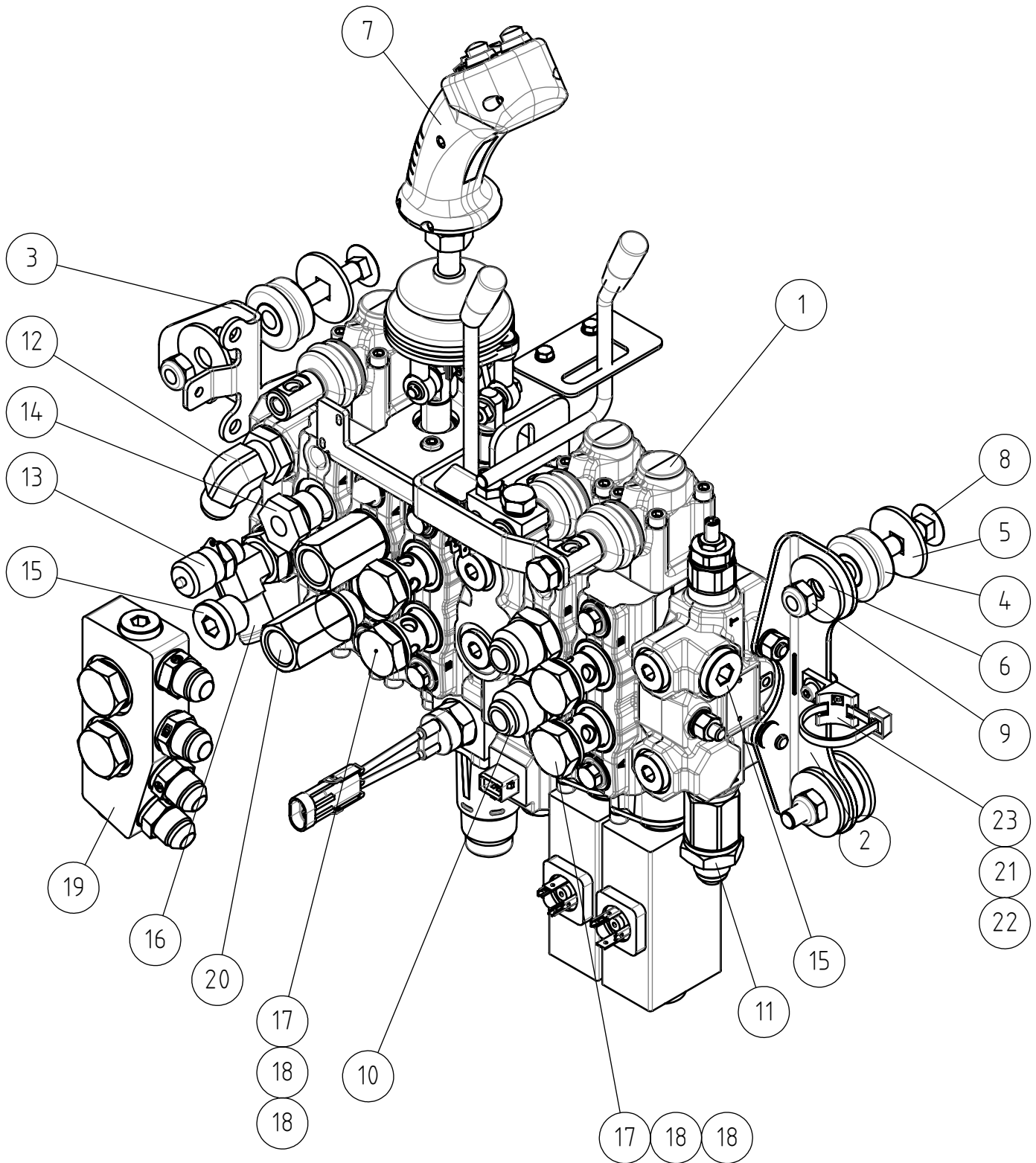
23.1.2024

A456514 HYDRAULIC TUBES BOOM 800 SERIES

| REF | PART NO | QTY | DESCRIPTION | NOTES | PAGE |
|-----|---------|-----|------------------------------|-------|------|
| 1 | A459049 | 1 | MOUNTING BRACKET HYDR. TUBES | | - |
| 2 | A455308 | 4 | PIPE CLAMP 3X16 | | - |
| 3 | A455319 | 4 | PIPE CLAMP 3X20+3X16 | | - |
| 4 | A455307 | 2 | COVER PLATE PIPE CLAMP | | - |
| 5 | A457626 | 2 | HYDRAULIC PIPE F16X2.0 INNER | | - |
| 6 | A457631 | 3 | HYDRAULIC PIPE F20X2.0 | | - |
| 7 | A457632 | 2 | HYDRAULIC PIPE F16X2.0 OUTER | | - |
| 8 | A450046 | 4 | HEXAGONAL NUT M8 WITH FLANGE | | - |
| 9 | A455434 | 4 | CARRIAGE BOLT M8*100 DIN 603 | | - |

23.1.2024

A444784



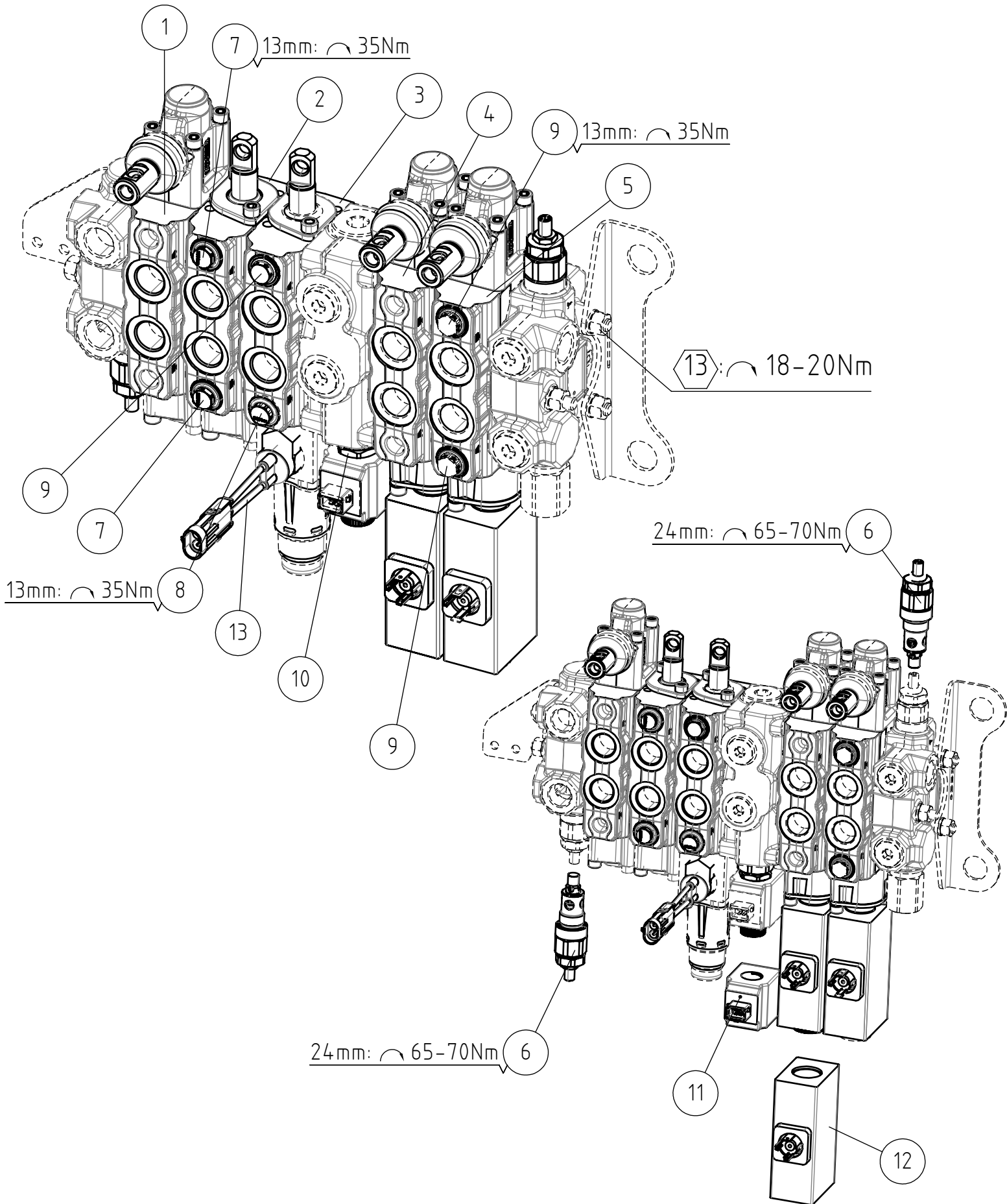
23.1.2024

A444784

| REF | PART NO | QTY | DESCRIPTION | NOTES | PAGE |
|-----|---------|-----|--|-------|------|
| 1 | A429030 | 1 | CONTROL VALVE HDS16 | | 28 |
| 1.1 | A439953 | 1 | VALVE SECTION WITH BOOM FLOATING CONTROL | | - |
| 1.2 | A447990 | 1 | SEAL KIT CONTROL VALVE BUCHER A429030 | | - |
| 2 | A431030 | 1 | MOUNTING BRACKET FRONT, CONTROL VALVE | | - |
| 3 | A431032 | 1 | MOUNTING BRACKET REAR, CONTROL VALVE | | - |
| 4 | A431033 | 3 | VIBRATION DAMPER SCBR 45SH | | - |
| 5 | A431029 | 3 | SPACER 3MM | | - |
| 6 | A431034 | 3 | WASHER Ø38/12,5, S=3 SCBR 38 | | - |
| 7 | A452569 | 1 | CONTROL LEVERS ASSEMBLY CONTROL VALVE | | 30 |
| 8 | A437458 | 3 | CARRIAGE BOLT M10*50 DIN603 | | - |
| 9 | 72322 | 3 | HEXAGONAL NUT M 10 NYLOC DIN 985 | | - |
| 10 | 64156 | 2 | BASIC FITTING F40XS20-1/2" | | - |
| 11 | 64058 | 1 | BASIC FITTING F40XS12-1/2 | | - |
| 12 | 64045 | 1 | ELBOW FITTING 90° C40XS12-1/2 /2 | | - |
| 13 | 64196 | 1 | MANOMETER FITTING M16*2 | | - |
| 14 | 64743 | 1 | REDUCER FITTING R1/2" - EDX 1/4" | | - |
| 15 | 64174 | 2 | HEXAGONAL DRAIN PLUG HF 1/2" WITH SEAL | | - |
| 16 | A449632 | 1 | HOSE BARB 90 DEGR. G1/2" - 20MM | | - |
| 17 | 73959 | 4 | BANJO BOLT R 1/2" | | - |
| 18 | 73047 | 8 | USIT SEAL RING R/12" | | - |
| 19 | A444984 | 1 | HYDRAULIC MANIFOLD WITH FITTINGS 500-800 | | 34 |
| 20 | A445580 | 2 | BUSHING ASSEMBLY | | - |
| 21 | 74472 | 1 | HEXAGONAL HEAD SCREW M 5*16 DIN 912 ZN | | - |
| 22 | A452923 | 1 | HEXAGONAL NUT M6 DIN 6923 | | - |
| 23 | A442639 | 1 | CABLE TIE 7,6*390 M6 BLACK | | - |

23.1.2024

A429030 CONTROL VALVE HDS16



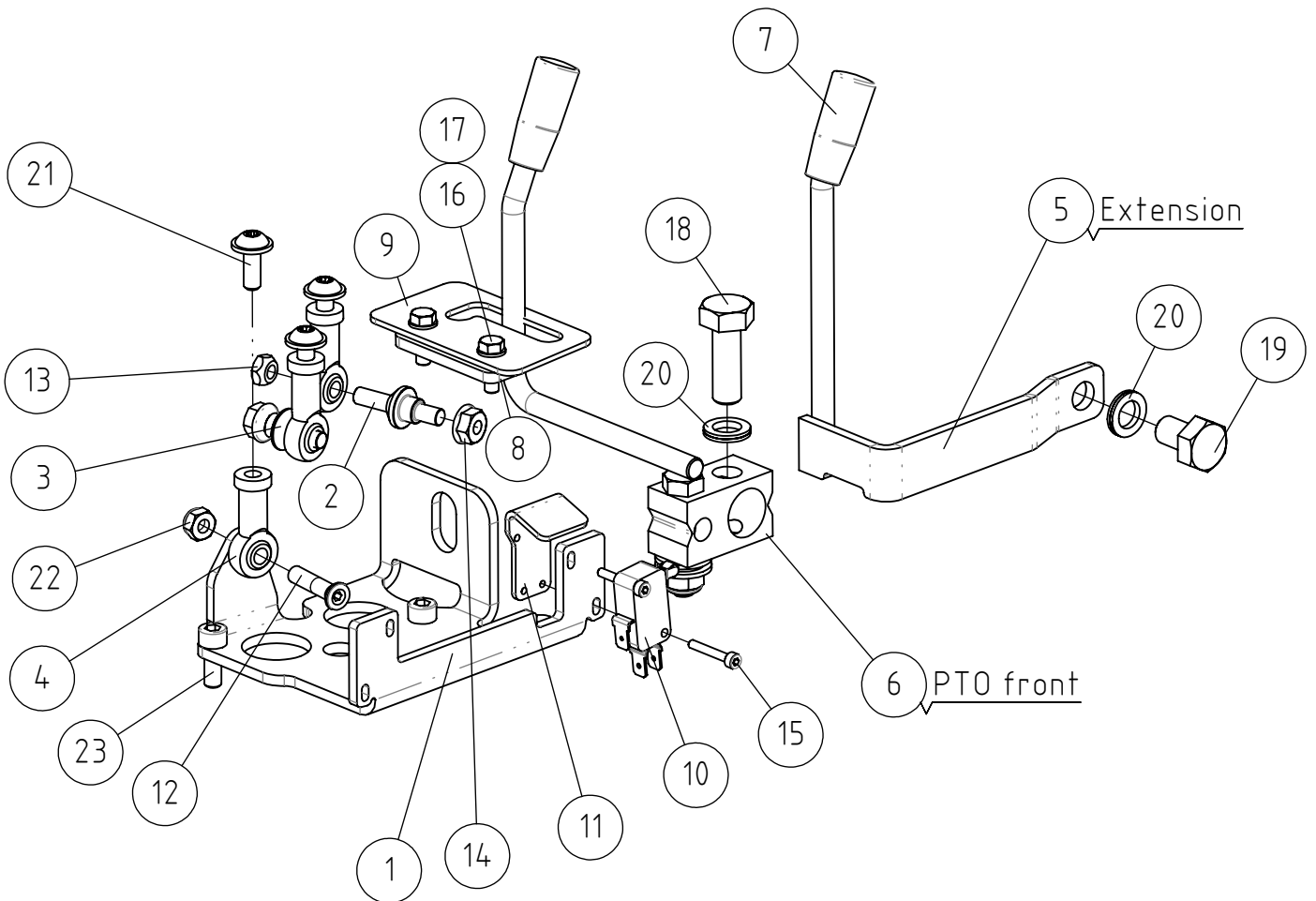
23.1.2024

A429030 CONTROL VALVE HDS16

| REF | PART NO | QTY | DESCRIPTION | NOTES | PAGE |
|-----|---------|-----|--|-------|------|
| 1 | A449639 | 1 | VALVE SECTION REAR AUX. HYDR., CONTROL | | - |
| 2 | A449637 | 1 | VALVE SECTION TILT CYLINDER CONTROL | | - |
| 3 | A439953 | 1 | VALVE SECTION WITH BOOM FLOATING CONTROL | | - |
| 4 | A449636 | 1 | VALVE SECTION EXTRA FRONT AUX. HYDR., | | - |
| 5 | A443909 | 1 | VALVE SECTION TELESCOPE, CONTROL VALVE | | - |
| 6 | A449641 | 2 | PRESSURE RELIEF VALVE CARTRIDGE 150-250 | | - |
| 7 | A449642 | 2 | SHOCK- SUCTION VALVE CARTRIDGE 280 BAR | | - |
| 8 | A449644 | 1 | SHOCK- SUCTION VALVE CARTRIDGE 320 BAR | | - |
| 9 | A449645 | 3 | SUCTION VALVE CARTRIDGE HDS16 | | - |
| 10 | A449647 | 1 | VALVE CARTRIDGE 2/2 PUMP SELECTION HDS16 | | - |
| 11 | A441534 | 1 | SOLENOID 12V/21W + DIODE | | - |
| 12 | A434106 | 1 | SOLENOID 12VDC/60W PUSH-PULL | | - |
| 13 | A449646 | 1 | MICROSWITCH SAE 6 TO CONTROL VALVE HDS16 | | - |
| 14 | A447990 | 1 | SEAL KIT CONTROL VALVE BUCHER A429030 | | - |
| - | A439953 | 1 | VALVE SECTION WITH BOOM FLOATING CONTROL | | - |
| - | A447990 | 1 | SEAL KIT CONTROL VALVE BUCHER A429030 | | - |

23.1.2024

A452569 CONTROL LEVERS ASSEMBLY CONTROL VALVE



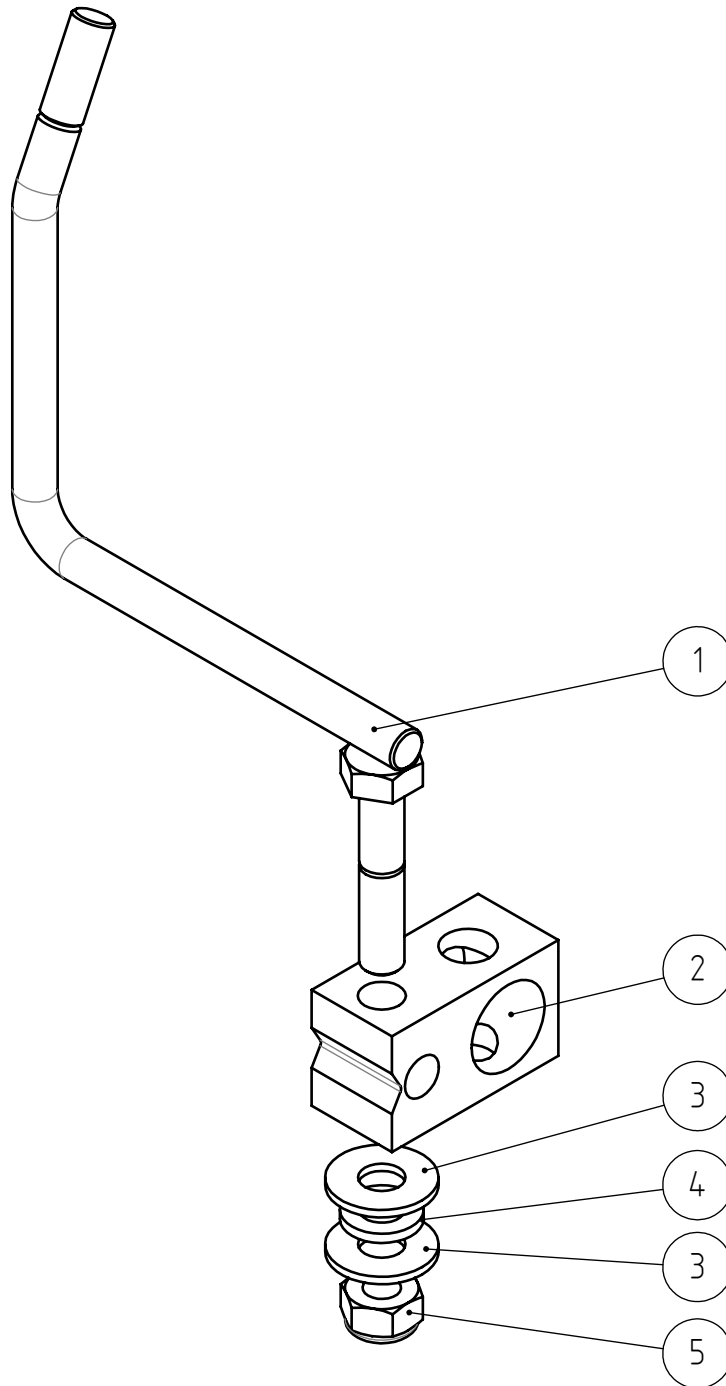
23.1.2024

A452569 CONTROL LEVERS ASSEMBLY CONTROL VALVE

| REF | PART NO | QTY | DESCRIPTION | NOTES | PAGE |
|-----|---------|-----|--|-------|------|
| 1 | A452529 | 1 | BOTTOM PLATE CONTROL LEVERS 600-800 SER | | - |
| 2 | A431066 | 1 | PIN LONG CONTROL LEVERS M6 THREAD | | - |
| 3 | A450523 | 1 | BOLT CONTROL LEVER | | - |
| 4 | 65501 | 3 | ROD END JAF 6 | | - |
| 5 | A442075 | 1 | CONTROL LEVER TELEBOOM 800 SERIES | | - |
| 6 | A436748 | 1 | CONTROL LEVER AUX. HYDR. FRONT ASSEMBLY | | 32 |
| 7 | 74761 | 2 | KNOB, CONTROL LEVER | | - |
| 8 | A48360 | 1 | LOCKING PIECE | | - |
| 9 | A410901 | 1 | LOCKING PLATE, CONTROL LEVER | | - |
| 10 | 64504 | 1 | MICROSWITCH | | - |
| 11 | A449831 | 1 | TIGHTENING PLATE MICROSWITCH | | - |
| 12 | A450520 | 1 | HEXAGONAL HEAD SCREW M6*25 10.9 | | - |
| 13 | A41822 | 1 | LEVERAGE NUT M 6 | | - |
| 14 | 74781 | 2 | HEXAGONAL NUT M6 WITH FLANGE | | - |
| 15 | A435740 | 2 | HEXAGONAL HEAD SCREW M3*20 DIN 912 | | - |
| 16 | 72110 | 2 | HEX. SCREW M5*16 DIN 933 | | - |
| 17 | 74448 | 2 | WASHER M5 A5,3 DIN 125 ZN | | - |
| 18 | 72151 | 1 | HEXAGONAL SCREW M10*30 DIN 933 ZN | | - |
| 19 | 72147 | 1 | HEXAGONAL SCREW M 10*16 DIN 933 | | - |
| 20 | 74531 | 2 | SPACER NORDLOCK M10, PAIR | | - |
| 21 | A442149 | 3 | THREAD-FORMING SCREW M6*16 BN219-8.8 | | - |
| 22 | 72318 | 1 | HEXAGONAL NUT M 6 DIN 985 NYLOC | | - |
| 23 | 73766 | 2 | HEXAGONAL HEAD SCREW M6*16 DIN 912 2 8.8 | | - |

23.1.2024

A436748 CONTROL LEVER AUX. HYDR. FRONT ASSEMBLY



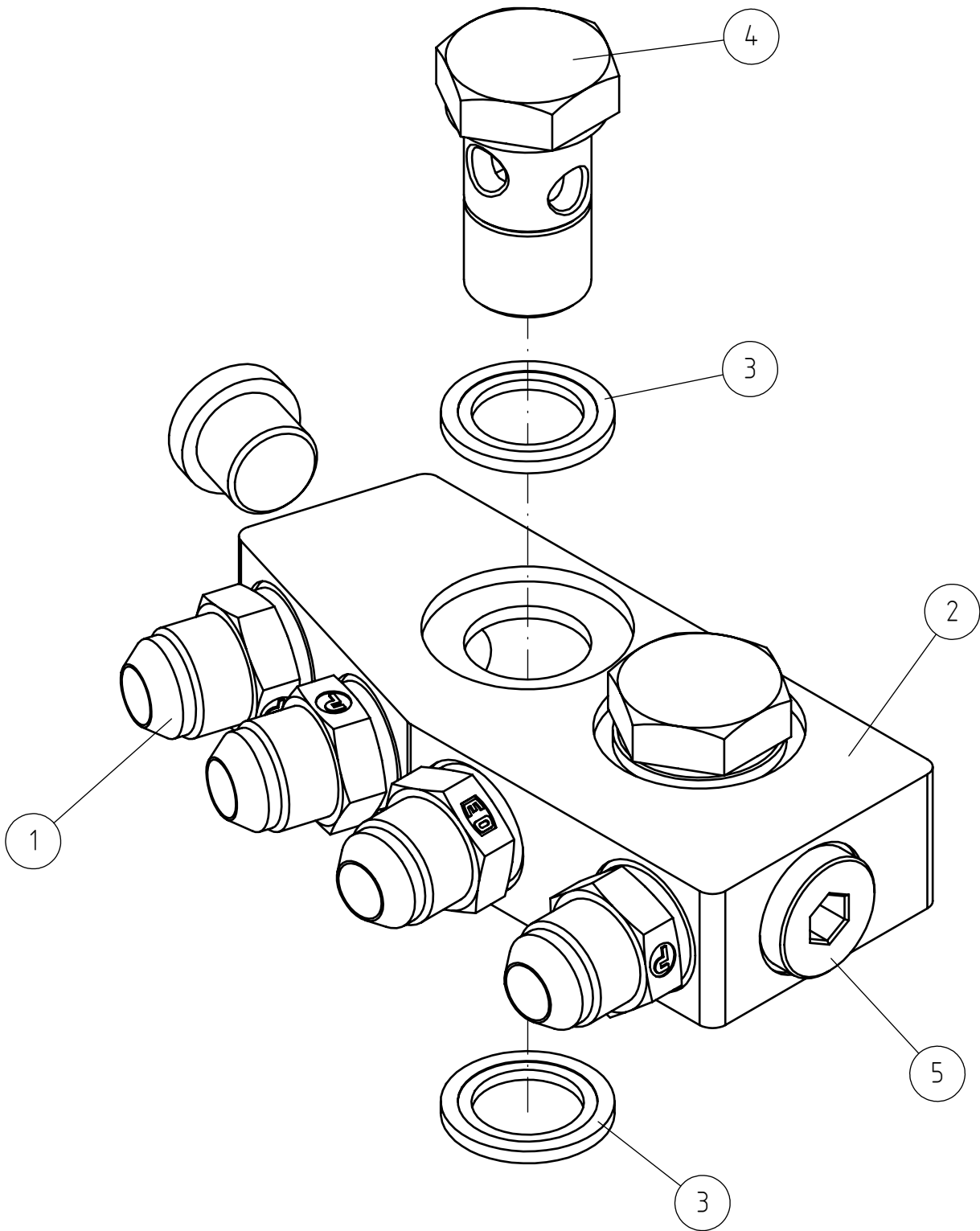
23.1.2024

A436748 CONTROL LEVER AUX. HYDR. FRONT ASSEMBLY

| REF | PART NO | QTY | DESCRIPTION | NOTES | PAGE |
|-----|---------|-----|--|-------|------|
| 1 | A431076 | 1 | CONTROL LEVER AUXILIARY HYDRAULICS FRONT | | - |
| 2 | A431074 | 1 | MOUNTING PIECE, CROSS, CONTROL LEVER | | - |
| 3 | 74525 | 2 | WASHER M8 8,4*20*1,25 ZN | | - |
| 4 | 73962 | 1 | WASHER M 8 DIN 127 | | - |
| 5 | 72320 | 1 | HEXAGONAL NUT M8 NYLOC DIN 985 | | - |

23.1.2024

A444984 HYDRAULIC MANIFOLD WITH FITTINGS 500-800



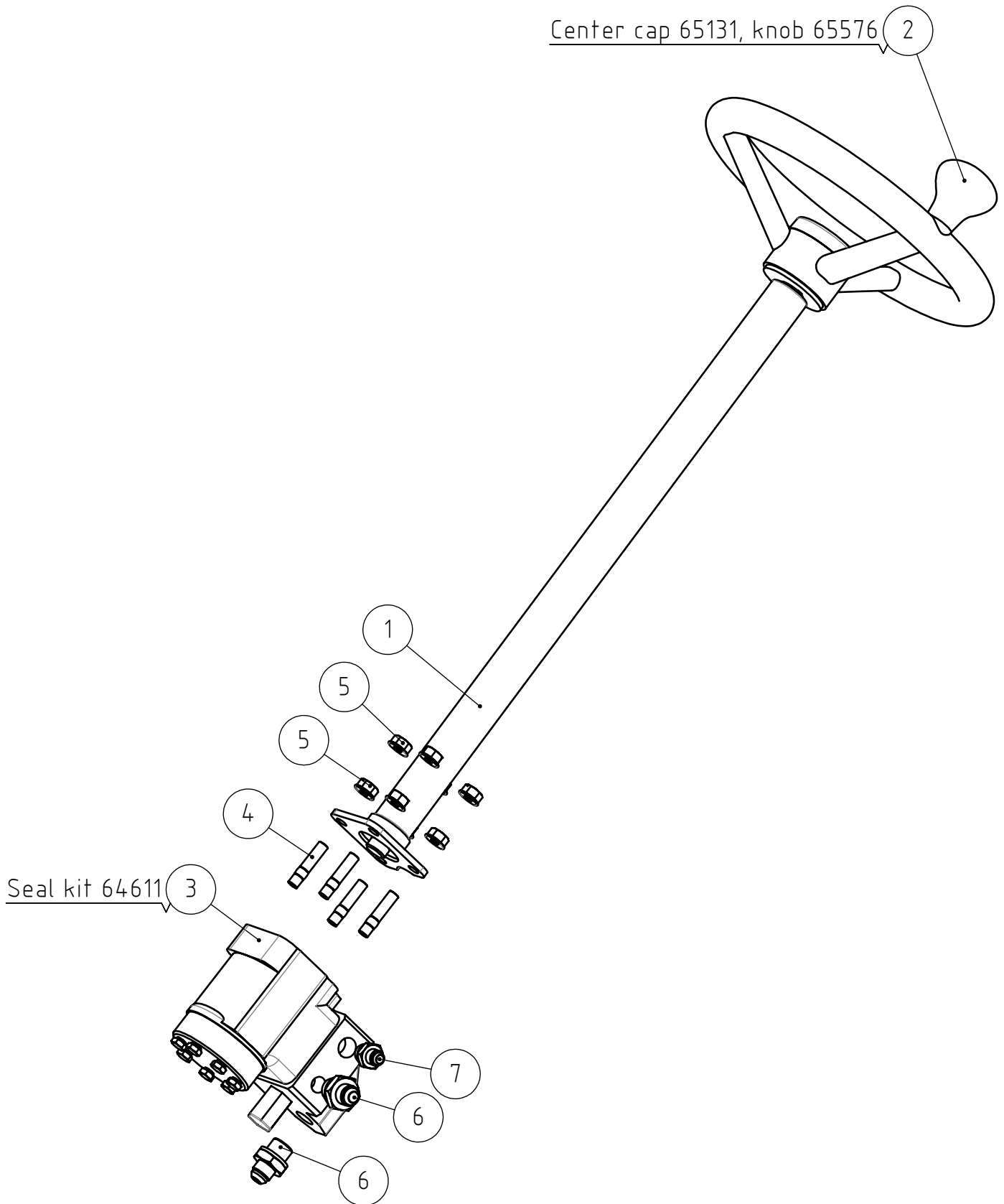
23.1.2024

A444984 HYDRAULIC MANIFOLD WITH FITTINGS 500-800

| REF | PART NO | QTY | DESCRIPTION | NOTES | PAGE |
|-----|---------|-----|----------------------------------|-------|------|
| 1 | 64042 | 4 | BASIC FITTING F40XS12-3/8 /8 | | - |
| 2 | A444787 | 1 | HYDRAULIC MANIFOLD CONTROL VALVE | | - |
| 3 | 73047 | 4 | USIT SEAL RING R/12" | | - |
| 4 | 73959 | 2 | BANJO BOLT R 1/2" | | - |
| 5 | 74411 | 2 | HEXAGONAL PLUG HF 3/8" HTUNG | | - |

A435446 STEERING COLUMN ASSEMBLY

Center cap 65131, knob 65576 2

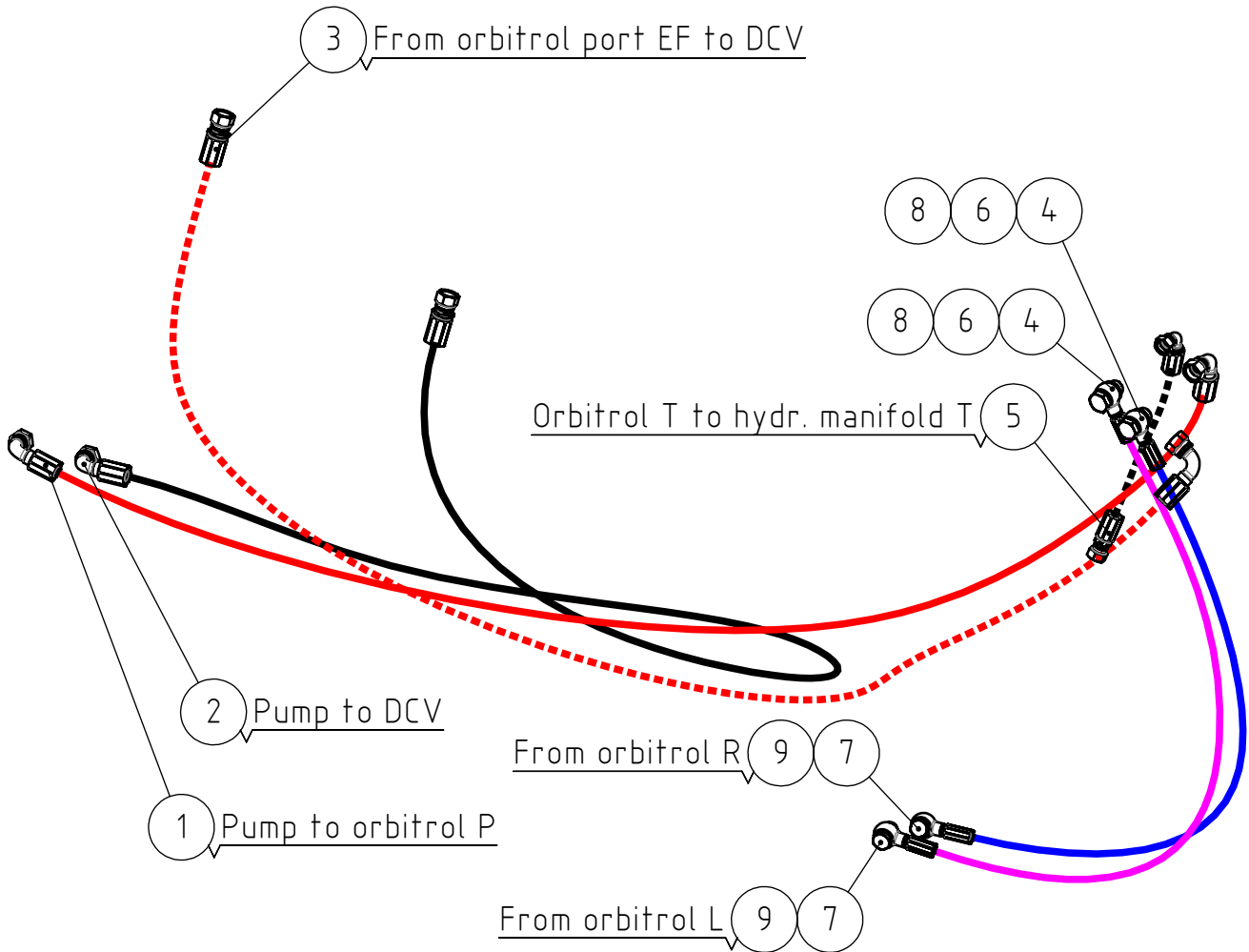


23.1.2024

A435446 STEERING COLUMN ASSEMBLY

| REF | PART NO | QTY | DESCRIPTION | NOTES | PAGE |
|-----|---------|-----|--|-------|------|
| 1 | 66233 | 1 | STEERING WHEEL ROD M+S KK650 -I | | - |
| 2 | 65076 | 1 | STEERING WHEEL "AVANT" F320 | | - |
| 2.1 | 65131 | 1 | CENTER CAP, STEERING WHEEL | | - |
| 2.2 | 65576 | 1 | KNOB, STEERING WHEEL, COBO 0034.1130 | | - |
| 3 | 64178 | 1 | CONTROL BLOCK M+S HKUS 80/5-140+PRDD80/7 | | - |
| 3.1 | A430819 | 1 | HEXAGONAL HEAD SCREW M10*1*45 ORBITROL | | - |
| 3.2 | 64611 | 1 | SEAL KIT 41 5137 0130 M+S HKUS ORBITROL | | - |
| 3.3 | 64612 | 1 | SEAL KIT, PRIORITY VALVE / ORBITROL M+S | | - |
| 4 | 74587 | 4 | STUD M10* 35 DIN 939 | | - |
| 5 | 74783 | 8 | HEXAGONAL NUT M10 WITH FLANGE | | - |
| 6 | 64058 | 2 | BASIC FITTING F40XS12-1/2 | | - |
| 7 | 64041 | 1 | BASIC FITTING F40XS10-3/8 /8 | | - |

A436850 HYDR. HOSES ORBITROL 800 SERIES



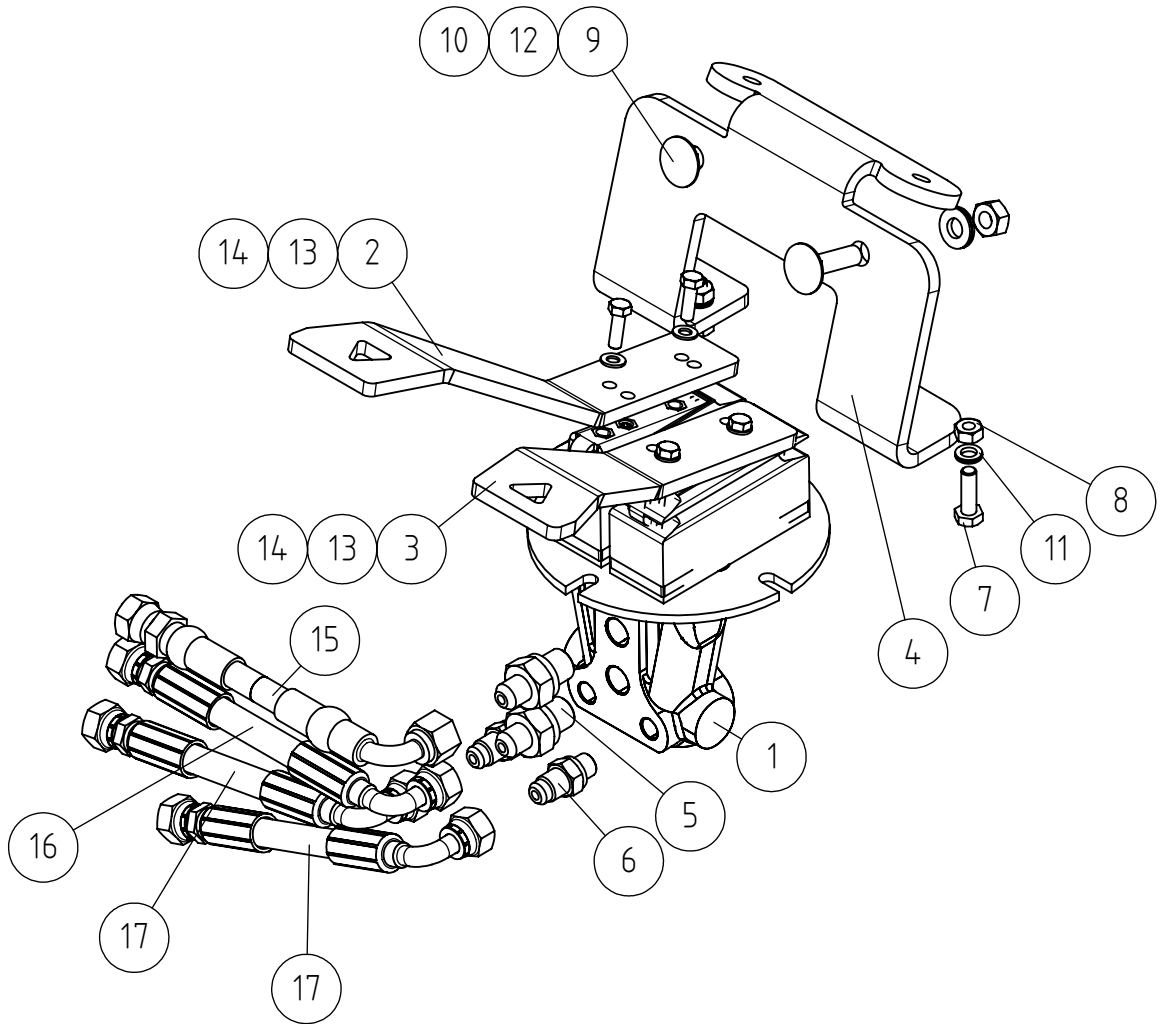
23.1.2024

A436850 HYDR. HOSES ORBITROL 800 SERIES

| REF | PART NO | QTY | DESCRIPTION | NOTES | PAGE |
|-----|---------|-----|------------------------|-------|------|
| 1 | A434549 | 1 | HYDR. HOSE L=1450 | | - |
| 2 | A434548 | 1 | HYDR. HOSE L=1780 | | - |
| 3 | A434550 | 1 | HYDR. HOSE L=1900 | | - |
| 4 | A434560 | 2 | HYDR. HOSE L=1450 | | - |
| 5 | A434556 | 1 | HYDR. HOSE L=500 | | - |
| 6 | 73954 | 2 | BANJO BOLT R3/8" L=29 | | - |
| 7 | 64557 | 2 | BANJO BOLT R 1/4" | | - |
| 8 | 73379 | 4 | USIT-COMPRESSION 3/8" | | - |
| 9 | 73757 | 4 | USIT COMPRESSION R1/4" | | - |

23.1.2024

A438996 DRIVE PEDAL ASSEMBLY



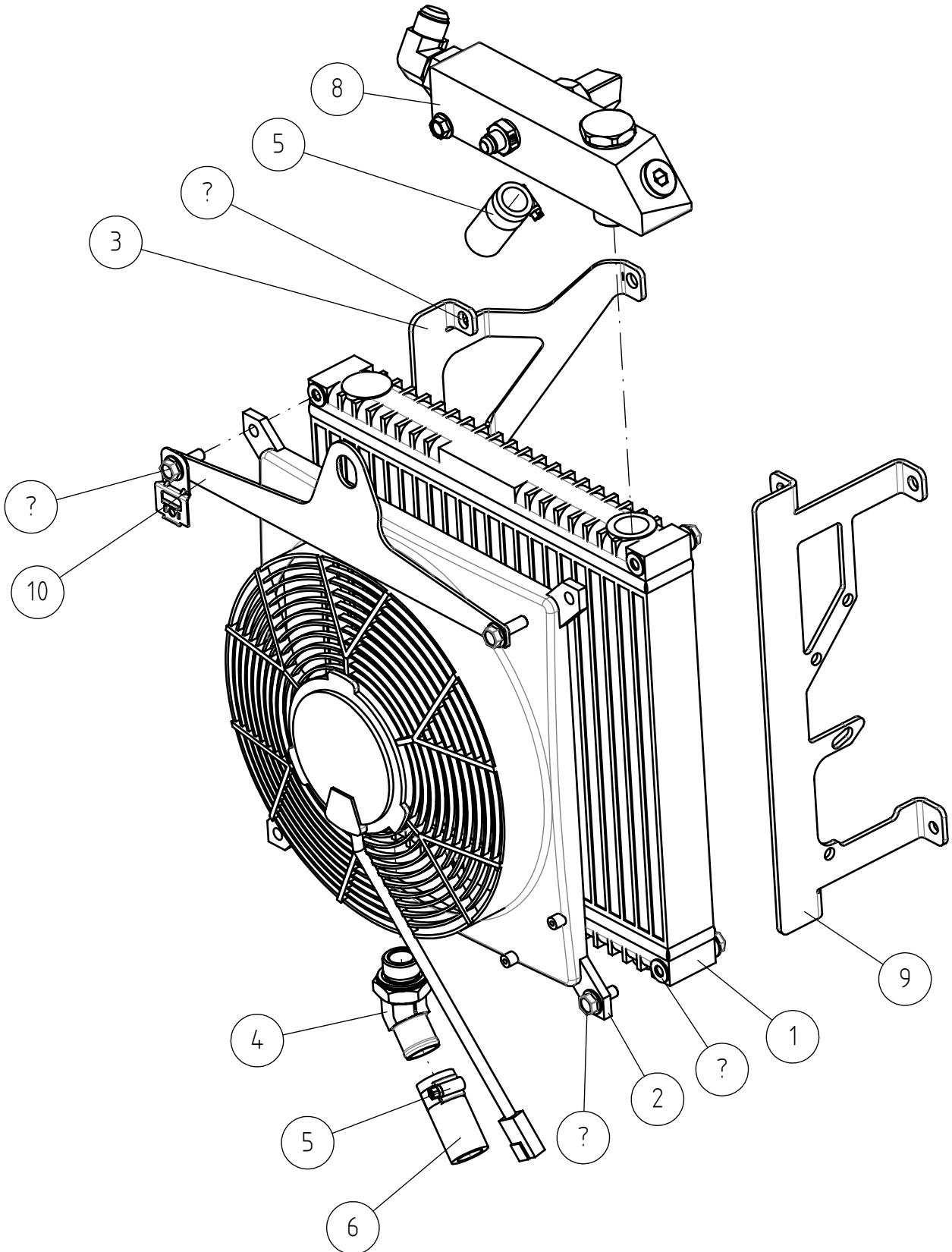
23.1.2024

A438996 DRIVE PEDAL ASSEMBLY

| REF | PART NO | QTY | DESCRIPTION | NOTES | PAGE |
|-----|---------|-----|---|-------|------|
| 1 | A432973 | 1 | HYDRAULIC PEDALS 2-16BAR MICROSWITCH 5A | | - |
| 1.1 | A451022 | 2 | PROTECTIVE RUBBER DRIVE PEDALS | | - |
| 1.2 | A445449 | 2 | MICROSWITCH 5A WITH WIRE | | - |
| 2 | A47550 | 1 | DRIVE PEDAL, LEFT | | - |
| 3 | A47551 | 1 | DRIVE PEDAL, RIGHT | | - |
| 4 | A426708 | 1 | MOUNTING BRACKET DRIVE PEDALS | | - |
| 5 | 64678 | 2 | BASIC FITTING F40XS6-1/4" | | - |
| 6 | 64793 | 2 | BASIC FITTING F40XS6-1/8" | | - |
| 7 | 72118 | 2 | HEXAGONAL SCREW M6*20 DIN 933 | | - |
| 8 | 72317 | 2 | HEXAGONAL NUT M6 DIN 934 | | - |
| 9 | 74874 | 2 | CARRIAGE BOLT M8*30 DIN603 | | - |
| 10 | 72319 | 2 | HEXAGONAL NUT M8 DIN 934 | | - |
| 11 | 74530 | 2 | WASHER NORDLOCK NL6 | | - |
| 12 | 63944 | 2 | WASHER, PAIR, NORD-LOCK M8 | | - |
| 13 | 72110 | 4 | HEX. SCREW M5*16 DIN 933 | | - |
| 14 | 74448 | 4 | WASHER M5 A5,3 DIN 125 ZN | | - |
| 15 | A47643 | 1 | HYDR. HOSE L=430 TYPE 087-3/16" JIC6- | | - |
| 16 | A434547 | 1 | HYDR. HOSE L=1200 | | - |
| 17 | A434546 | 2 | HYDR. HOSE L=1500 | | - |

23.1.2024

A450648 HYDRAULIC OIL COOLER ASSEMBLY 800 SERIES



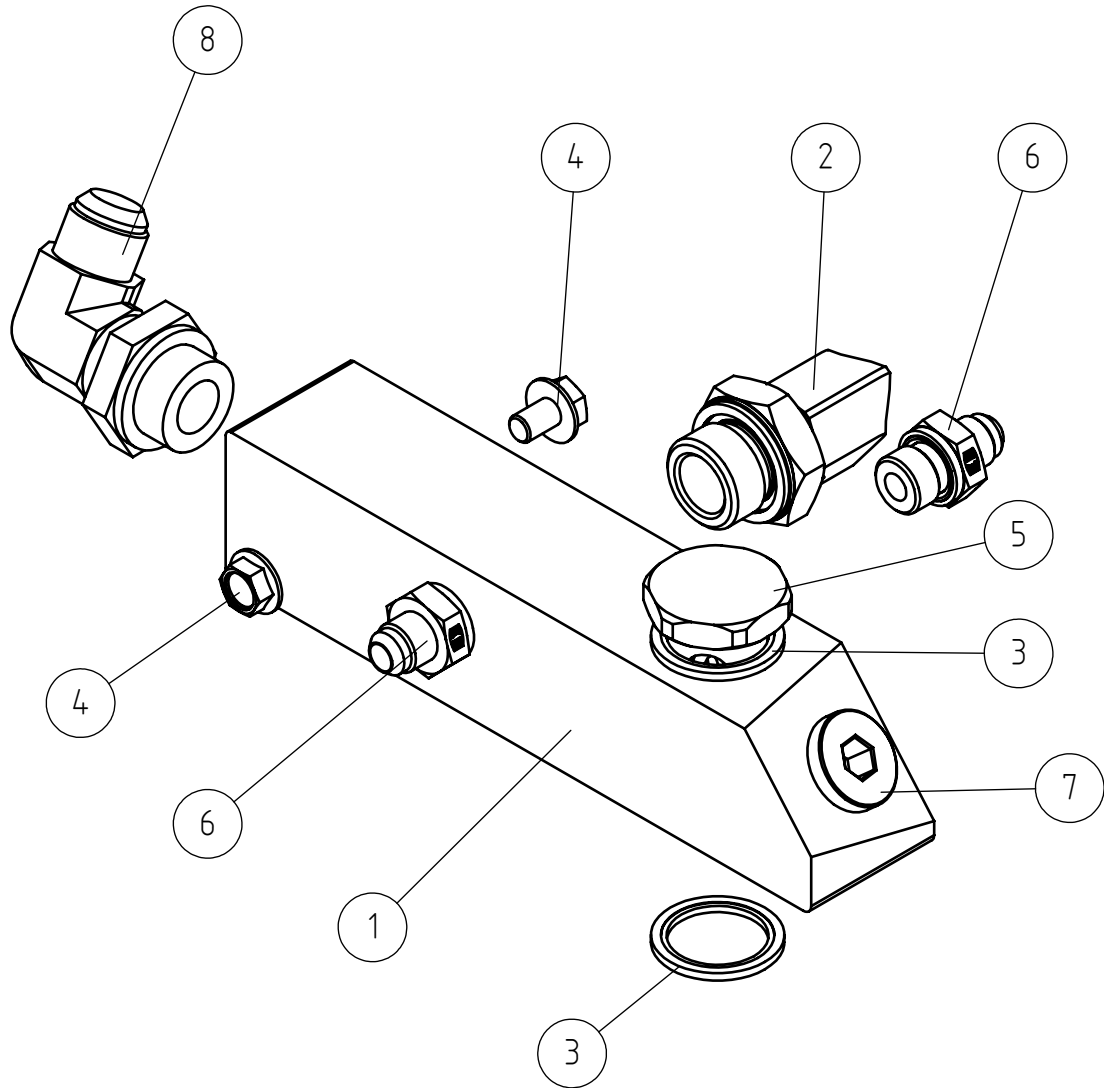
23.1.2024

A450648 HYDRAULIC OIL COOLER ASSEMBLY 800 SERIES

| REF | PART NO | QTY | DESCRIPTION | NOTES | PAGE |
|-----|---------|-----|--|-------|------|
| 1 | 64934 | 1 | OIL COOLER CELL ASA 350*350*45 | | - |
| 2 | 65568 | 1 | FAN, HYDRAULIC OIL COOLER COMEX F48- | | - |
| 3 | A429324 | 1 | BRACKET HYDRAULIC OIL COOLER | | - |
| 4 | 66362 | 1 | HOSE BARB 45° R3/4"UK - 25MM | | - |
| 5 | 73530 | 2 | HOSE CLAMP 22-32 MM | | - |
| 6 | A438755 | 1 | INLET HOSE L=730 D=20 | | - |
| 7 | 73122 | 4 | WASHER M8 A8,4 DIN 125 ZN | | - |
| 8 | A450650 | 1 | HYDRAULIC MANIFOLD ASSEMBLY TANK LINE | | 44 |
| 9 | A450651 | 1 | BRACKET UPPER HYDR. OIL COOLER 800 SER | | - |
| 10 | A455931 | 1 | LIFTING BRACKET HYDR. OIL COOLER | | - |
| 11 | A429201 | 5 | HEXAGONAL SERRATED SCREW M8*20 WITH | | - |
| 12 | A429202 | 2 | HEXAGONAL SERRATED SCREW M8*25 WITH FLAN | | - |
| 13 | A451560 | 1 | BRACKET CONNECTOR PLUG | | - |

23.1.2024

A450650 HYDRAULIC MANIFOLD ASSEMBLY TANK LINE

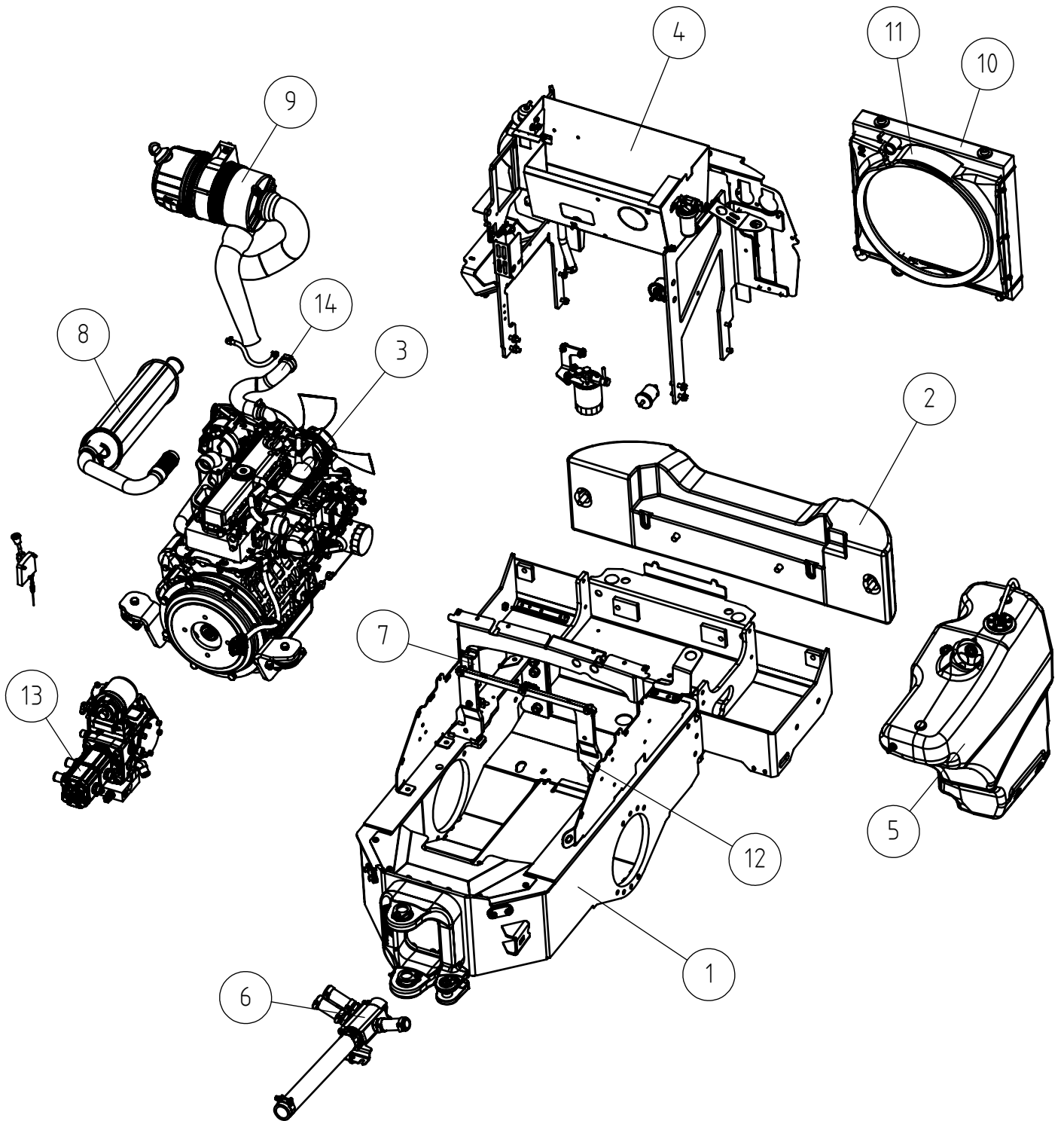


23.1.2024

A450650 HYDRAULIC MANIFOLD ASSEMBLY TANK LINE

| REF | PART NO | QTY | DESCRIPTION | NOTES | PAGE |
|-----|---------|-----|--|-------|------|
| 1 | A449626 | 1 | HYDRAULIC MANIFOLD TANK LINE | | - |
| 2 | 66281 | 1 | HOSE BARB 90 DEGR R3/4"UK - 20MM | | - |
| 3 | 74976 | 2 | SEAL USIT R3/4" F35,3*F27,0*2,0 | | - |
| 4 | A429197 | 2 | HEXAGONAL SERRATED SCREW M8*12 W. FLANGE | | - |
| 5 | A449633 | 1 | BANJO BOLT R3/4" TANK LINE | | - |
| 6 | 64041 | 2 | BASIC FITTING F40XS10-3/8 /8 | | - |
| 7 | 64174 | 1 | HEXAGONAL DRAIN PLUG HF 1/2" WITH SEAL | | - |
| 8 | 64693 | 1 | ELBOW FITTING 90 DEGR. C40XS16-3/4" | | - |

A456553



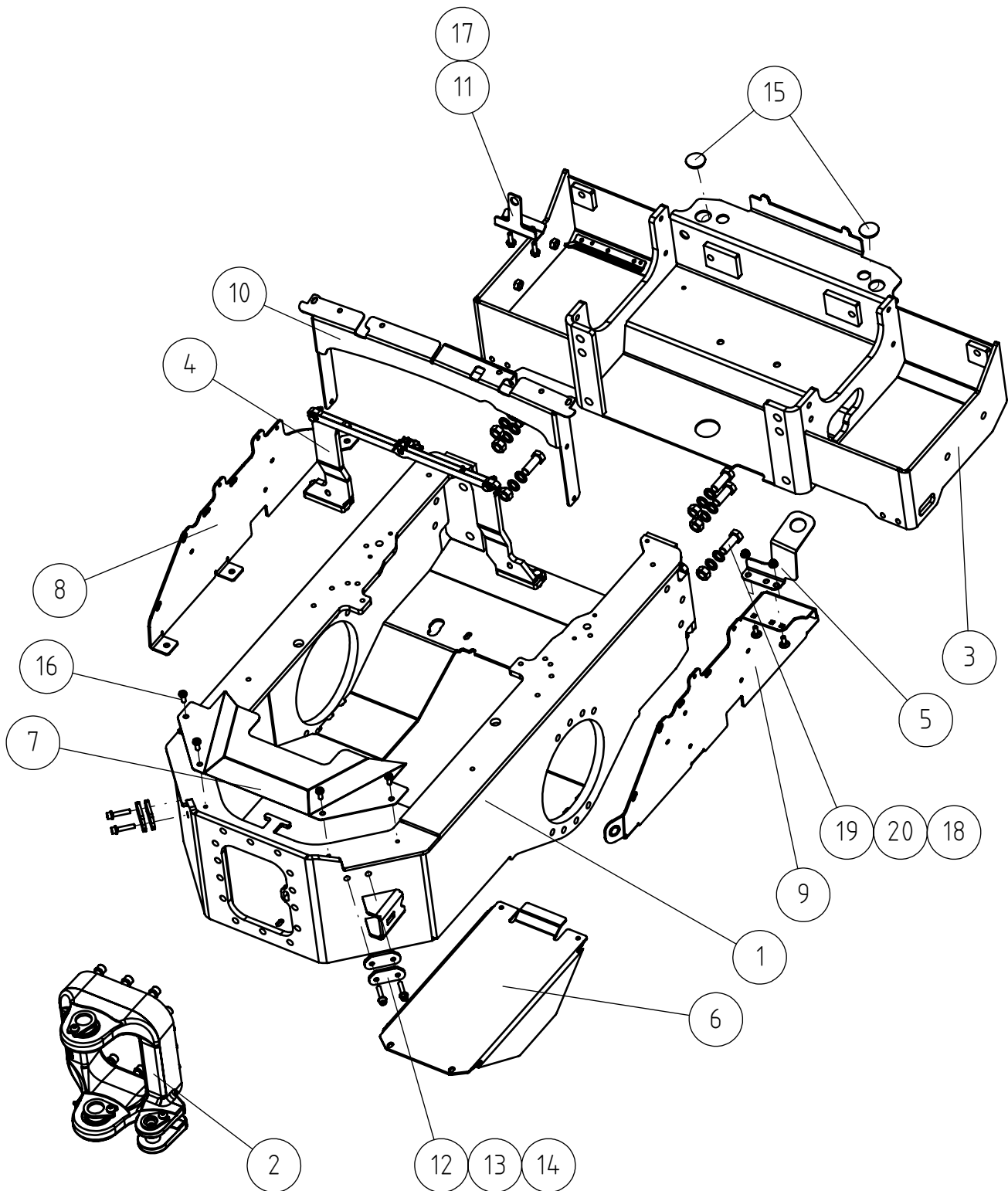
23.1.2024

A456553

| REF | PART NO | QTY | DESCRIPTION | NOTES | PAGE |
|-----|---------|-----|--|-------|------|
| 1 | A442111 | 1 | REAR CHASSIS ASSEMBLY 800 SERIES TIER 4 | | 48 |
| 2 | A429342 | 1 | REAR WEIGHT/BUMPER 275 KG ASSEMBLY | | 54 |
| 3 | A459121 | 1 | ENGINE ASSEMBLY KUBOTA V2403 745/750 | | 56 |
| 4 | A456555 | 1 | ENGINE BAY 735, 745, 750, 850 | | 64 |
| 5 | A436129 | 1 | FUEL TANK ASSEMBLY 66L | | 68 |
| 6 | A455660 | 1 | HYDRAULIC MANIFOLD ASSEMBLY 800 SERIES | | 70 |
| 7 | A460715 | 1 | | | - |
| 8 | A463303 | 1 | | | 72 |
| 9 | A463291 | 1 | AIR FILTER ASSEMBLY 745/750/850 KUBOTA | | 74 |
| 10 | A460889 | 1 | RADIATOR ASSEMBLY | | 76 |
| 11 | A461143 | 1 | WIND TUNNEL NO. 2 ASSEMBLY | | 78 |
| 12 | A450959 | 1 | BRACKET CONNECTORS DIESEL ENGINE | | - |
| 13 | A429273 | 1 | HYDRAULIC PUMPS ASSEMBLY 745/750 OPTIDRI | | 80 |
| 14 | A463333 | 1 | | | 82 |

23.1.2024

A442111 REAR CHASSIS ASSEMBLY 800 SERIES TIER 4



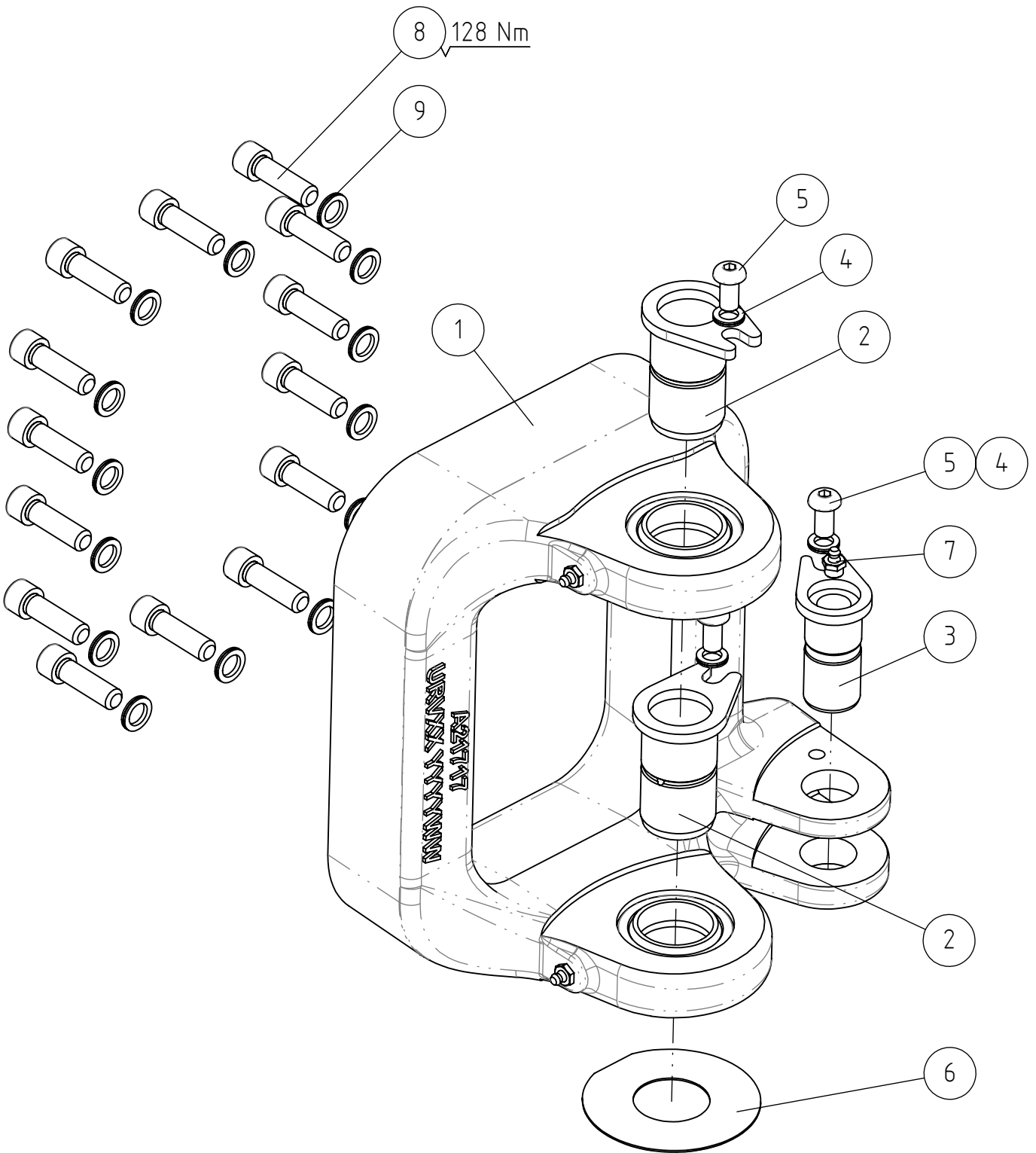
23.1.2024

A442111 REAR CHASSIS ASSEMBLY 800 SERIES TIER 4

| REF | PART NO | QTY | DESCRIPTION | NOTES | PAGE |
|-----|---------|-----|--|-------|------|
| 1 | A21720 | 1 | REAR FRAME, FRONT PART | | - |
| 2 | A37449 | 1 | ARTICULATION JOINT ASSEMBL REAR FRAME | | 50 |
| 3 | A446037 | 1 | REAR FRAME, MIDDLE PART 700/800 SERIES | | - |
| 4 | A415984 | 1 | LOAD SENSOR SYSTEM, COMPLETE ASSEMBLY | | 52 |
| 5 | A437442 | 1 | BRACKET FUEL TANK STAGE 5 700-800 SER | | - |
| 6 | A449549 | 1 | SERVICE HATCH 800 SERIES | | - |
| 7 | A431001 | 1 | PROTECTIVE PLATE REAR CHASSIS 800 | | - |
| 8 | A437435 | 1 | SIDE PLATE RIGHT REAR FRAME 800 STAGE 5 | | - |
| 9 | A437437 | 1 | SIDE PLATE LEFT REAR FRAME 800 STAGE 5 | | - |
| 10 | A437460 | 1 | BRACKET COVER PLATES REAR STG5 700-800 | | - |
| 11 | A437653 | 1 | BRACKET, BATTERY 700-800 SER | | - |
| 12 | A442049 | 4 | STOP PLATE STEERING | | - |
| 13 | 74918 | 4 | HEXAGONAL HEAD SCREW M8*40 DIN 912 | | - |
| 14 | 63944 | 4 | WASHER, PAIR, NORD-LOCK M8 | | - |
| 15 | 65944 | 2 | RUBBER PLUG F40/F32-12 S=5 | | - |
| 16 | A435496 | 4 | THREAD-FORMING SCREW M8*20 DIN 7500C | | - |
| 17 | A429202 | 2 | HEXAGONAL SERRATED SCREW M8*25 WITH FLAN | | - |
| 18 | A439252 | 6 | HEXAGONAL NUT M16 10.9 DIN 934 | | - |
| 19 | A439220 | 6 | HEXAGONAL SCREW M16*45 10.9 DIN 933 | | - |
| 20 | 74533 | 12 | WASHER, PAIR, M16 NL16 NORDLOCK | | - |
| 21 | 74836 | 2 | CARRIAGE BOLT M8*20 | | - |
| 22 | 74782 | 2 | HEXAGONAL NUT M8 WITH FLANGE | | - |

23.1.2024

A37449 ARTICULATION JOINT ASSEMBL REAR FRAME



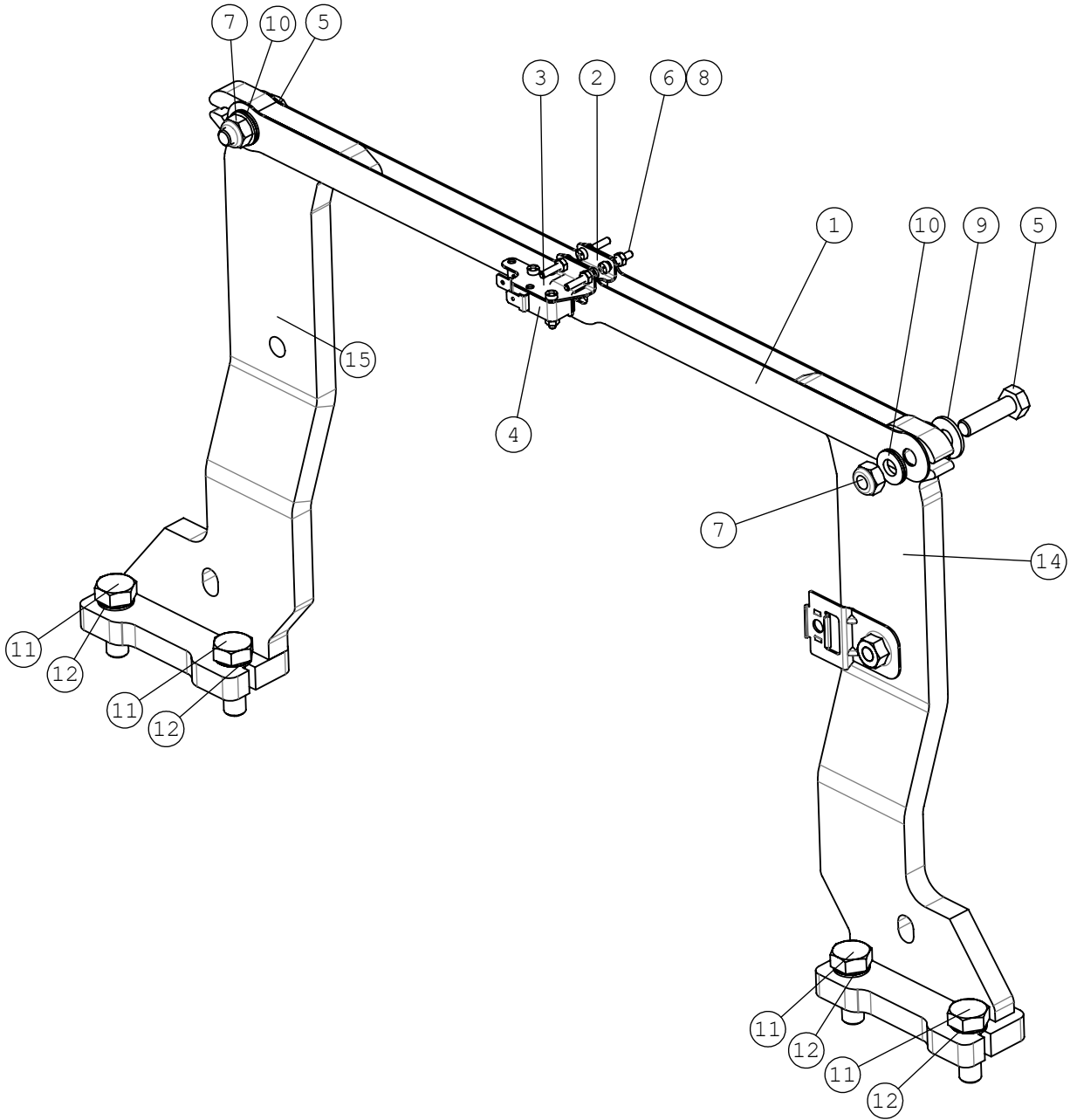
23.1.2024

A37449 ARTICULATION JOINT ASSEMBL REAR FRAME

| REF | PART NO | QTY | DESCRIPTION | NOTES | PAGE |
|-----|---------|-----|---|-------|------|
| 1 | A444363 | 1 | ARTICULATION JOINT CAST STEEL, ASSEMBLY | | - |
| 1.1 | 64911 | 2 | ARTICUL. BEARING GE40ES F62/40-28(22) | | - |
| 2 | A47043 | 2 | PIVOT PIN F40-63 | | - |
| 3 | A47655 | 1 | PIVOT PIN F30-60 | | - |
| 4 | 74531 | 3 | SPACER NORDLOCK M10, PAIR | | - |
| 5 | A437915 | 3 | HEXAGONAL HEAD SCREW M10*20 10.9 2 | | - |
| 6 | A48263 | 1 | SHIM RING S=1 MM, ARTICULATION JOINT | | - |
| 7 | 72798 | 1 | GREASE NIPPLE R 1/8" STRAIGHT | | - |
| 8 | A437018 | 14 | HEXAGONAL HEAD SCREW M12*40 12.9 | | - |
| 9 | 74532 | 14 | WASHER NORDLOCK NL12 | | - |

23.1.2024

A415984 LOAD SENSOR SYSTEM, COMPLETE ASSEMBLY



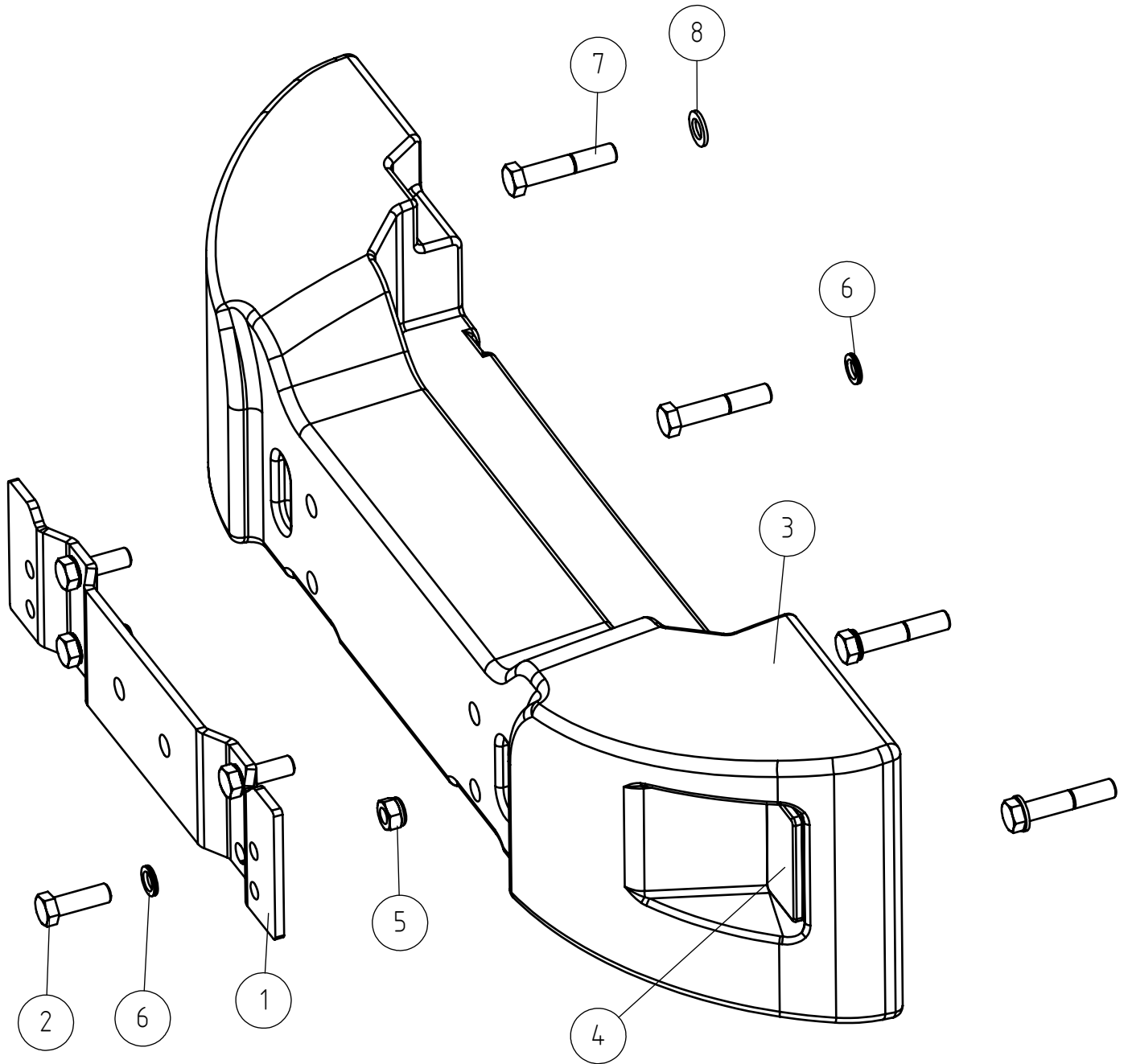
23.1.2024

A415984 LOAD SENSOR SYSTEM, COMPLETE ASSEMBLY

| REF | PART NO | QTY | DESCRIPTION | NOTES | PAGE |
|-----|---------|-----|-------------------------------------|-------|------|
| 1 | A47912 | 2 | BAND | | - |
| 2 | A47908 | 1 | CLAW | | - |
| 3 | A47909 | 1 | BRACKET, MICROSWITCH | | - |
| 4 | 64504 | 1 | MICROSWITCH | | - |
| 5 | 72133 | 2 | HEXAGONAL SCREW M8*30 DIN 933 | | - |
| 6 | 74576 | 6 | PAN HEAD MACHINE SCREW M3*16 | | - |
| 7 | 72320 | 2 | HEXAGONAL NUT M8 NYLOC DIN 985 | | - |
| 8 | 74535 | 6 | HEXAGONAL NUT M3 | | - |
| 9 | 74525 | 2 | WASHER M8 8,4*20*1,25 ZN | | - |
| 10 | 63944 | 2 | WASHER, PAIR, NORD-LOCK M8 | | - |
| 11 | 72151 | 4 | HEXAGONAL SCREW M10*30 DIN 933 ZN | | - |
| 12 | 74531 | 4 | SPACER NORDLOCK M10, PAIR | | - |
| 13 | A417623 | 2 | MOUNTING PLATE LOAD SENSOR SYSTEM | | - |
| 14 | A417622 | 1 | BRACKET, LEFT, LOAD SENSOR SYSTEM | | - |
| 15 | A417621 | 1 | BRACKET, RIGHT, LOAD SENSOR SYSTEM | | - |
| 16 | A451560 | 1 | BRACKET CONNECTOR PLUG | | - |
| 17 | A450046 | 1 | HEXAGONAL NUT M8 WITH FLANGE | | - |
| 18 | A429201 | 1 | HEXAGONAL SERRATED SCREW M8*20 WITH | | - |

23.1.2024

A429342 REAR WEIGHT/BUMPER 275 KG ASSEMBLY



23.1.2024

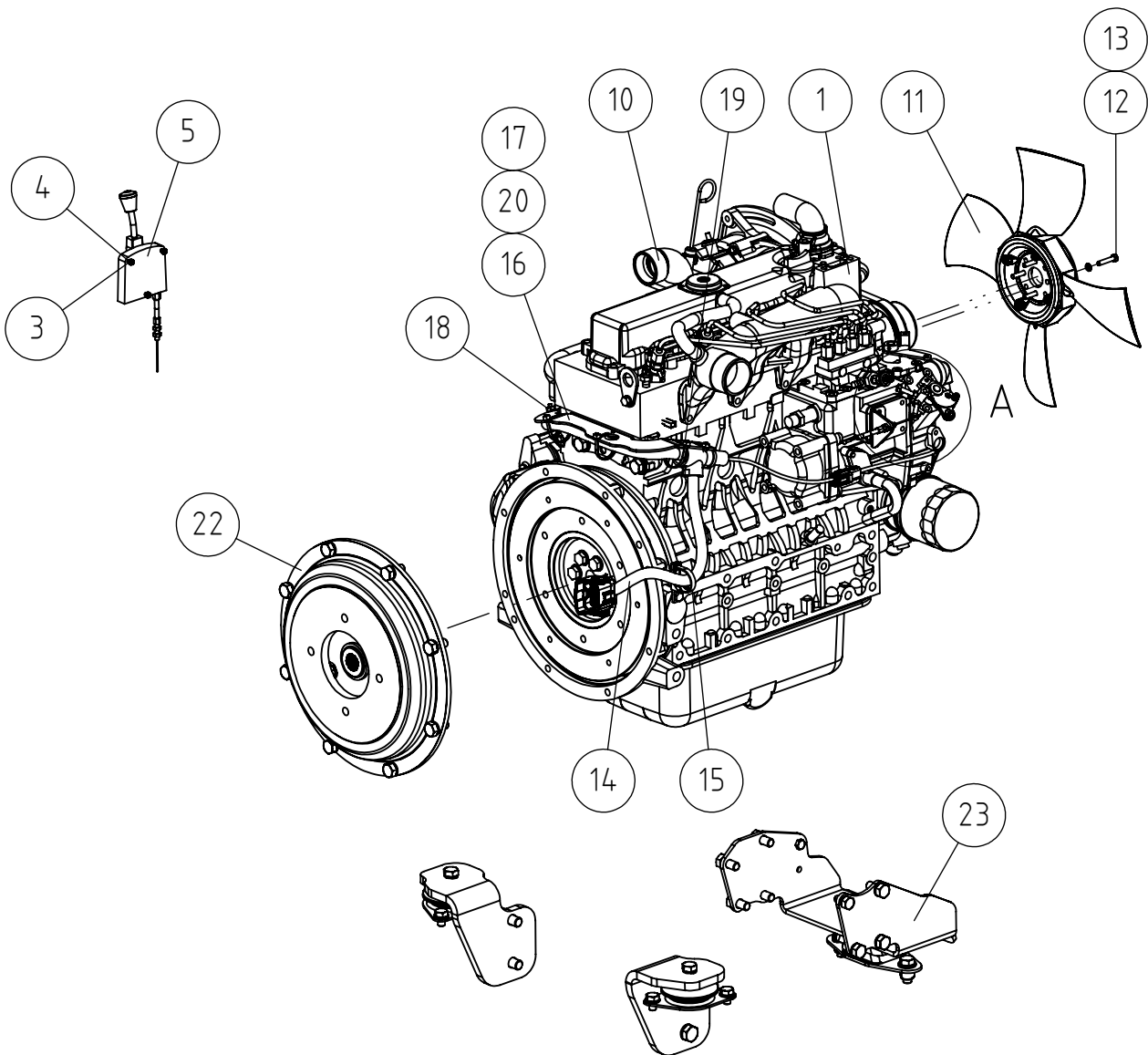
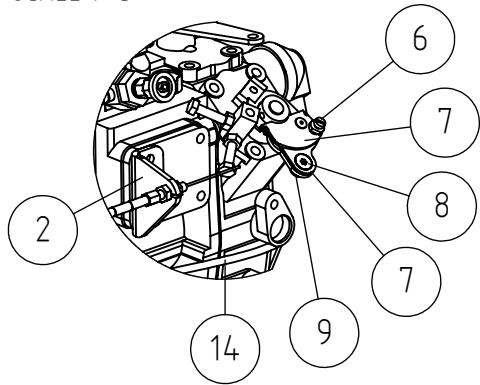
A429342 REAR WEIGHT/BUMPER 275 KG ASSEMBLY

| REF | PART NO | QTY | DESCRIPTION | NOTES | PAGE |
|-----|---------|-----|--------------------------------------|-------|------|
| 1 | A419683 | 1 | MOUNTING PLATE, BACK WEIGHT 29 KG | | - |
| 2 | 72193 | 4 | HEXAGONAL SCREW M16* 50 DIN 933 | | - |
| 3 | A429341 | 1 | REAR WEIGHT/BUMPER 275 KG 800 SERIES | | - |
| 4 | A429366 | 2 | REFLECTOR, RED 105X55X9MM | | - |
| 5 | 72330 | 4 | HEXAGONAL NUT M16 NYLOC DIN 985 | | - |
| 6 | 74533 | 6 | WASHER, PAIR, M16 NL16 NORDLOCK | | - |
| 7 | 75105 | 4 | HEXAGONAL SCREW M16*85 DIN931 | | - |
| 8 | 73461 | 2 | WASHER M16 18 DIN 126 ZN | | - |

23.1.2024

A459121 ENGINE ASSEMBLY KUBOTA V2403 745/750

DETAIL A
SCALE 1:5

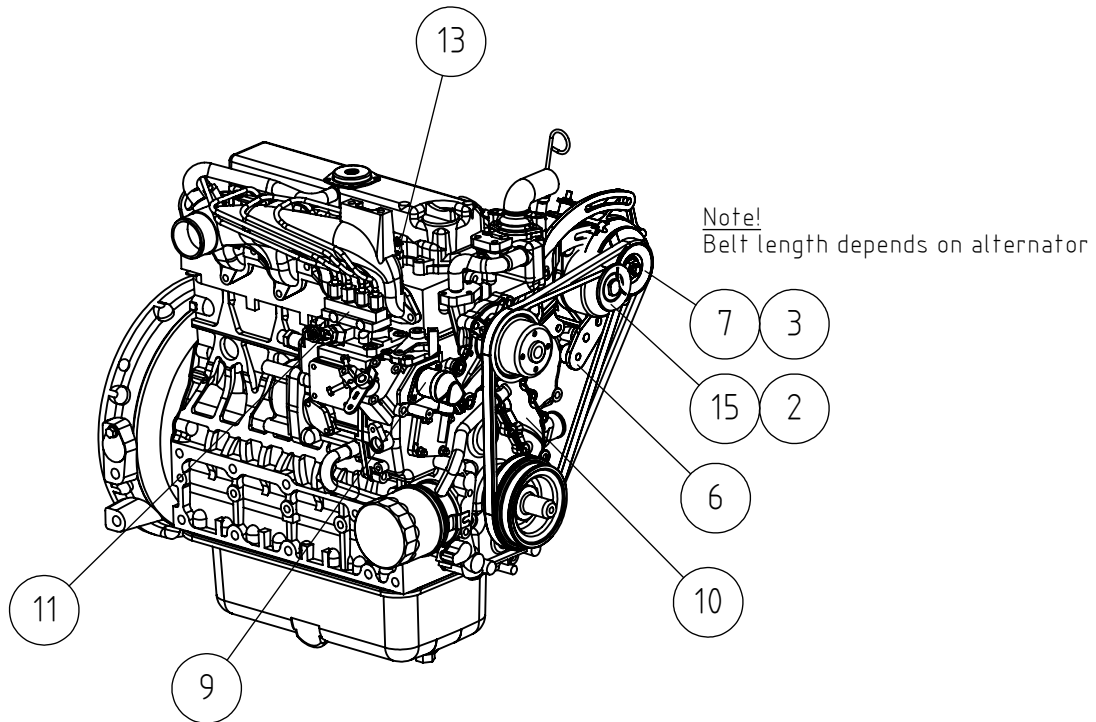
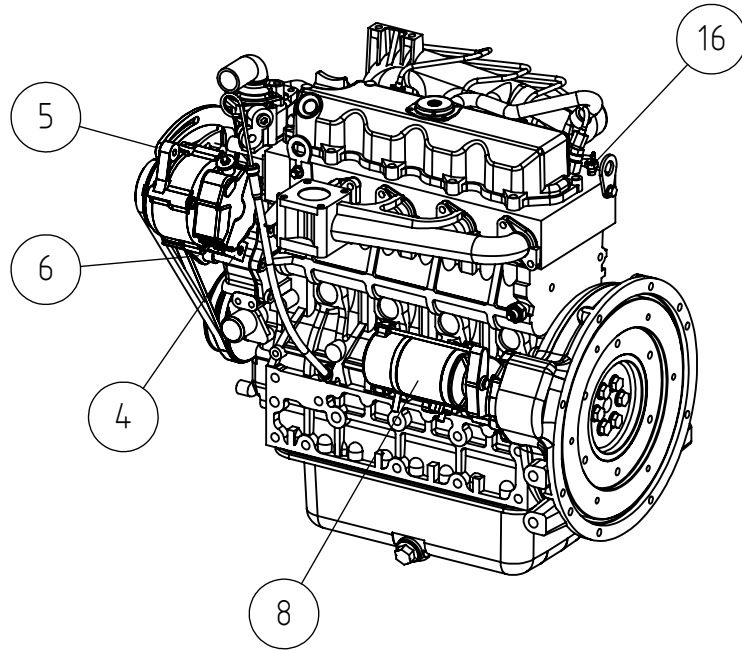


A459121 ENGINE ASSEMBLY KUBOTA V2403 745/750

| REF | PART NO | QTY | DESCRIPTION | NOTES | PAGE |
|-----|---------|-----|--|-------|------|
| 1 | 65206 | 1 | ENGINE V2403-M-E3B-AVN-1 *EU EXPORT ONLY | | 58 |
| 1.1 | A444459 | 1 | TEMPERATURE SWITCH 115° C KUBOTA | | - |
| 2 | A49818 | 1 | BRACKET, THROTTLE WIRE | | - |
| 3 | 72313 | 3 | HEXAGONAL NUT M4 DIN 985 NYLOC | | - |
| 4 | 74582 | 3 | CROSS-SLOT COUNTERSUNK HEAD SCREW M4*25 | | - |
| 5 | A420562 | 1 | HAND THROTTLE WITH GAS WIRE L=3000MM | | - |
| 5.1 | A410290 | 1 | THROTTLE WIRE 3000/3300 MM | | - |
| 6 | 74415 | 1 | SCREW NIPPLE 128.244 S&N 2.35.0000.208 | | - |
| 7 | A418425 | 1 | THROTTLE LEVER 745/750 | | - |
| 8 | A440355 | 1 | COUNTERSUNK HEAD SCREW M6*12 DIN 7991 | | - |
| 9 | 72318 | 1 | HEXAGONAL NUT M 6 DIN 985 NYLOC | | - |
| 10 | A410183 | 1 | ADAPTER 90 DEGREES | | - |
| 11 | 66451 | 1 | FAN F390 4 BLADE | | - |
| 12 | 73199 | 4 | HEXAGONAL SCREW M6*30 DIN 933 | | - |
| 13 | 74530 | 4 | WASHER NORDLOCK NL6 | | - |
| 14 | A449493 | 1 | WIRE HARNESS ENGINE KUBOTA | | - |
| 15 | A442641 | 1 | CABLE TIE 7,6*390 M8 BLACK | | - |
| 16 | A454865 | 1 | MOUNTING BRACKET WIRE HARNESS ENGINE | | - |
| 17 | A430999 | 2 | WASHER, PAIR, M12 NORDLOCK | | - |
| 18 | A461092 | 2 | CABLE TIE 4,6*390 | | - |
| 19 | A459873 | 4 | CABLE TIE 4,6*200 BLACK | | - |
| 20 | 72165 | 2 | HEXAGONAL SCREW M12*20 DIN 933 | | - |
| 21 | A454853 | 1 | | | - |
| 22 | A463305 | 1 | | | 60 |
| 23 | A463334 | 1 | | | 62 |

23.1.2024

65206 ENGINE V2403-M-E3B-AVN-1 *EU EXPORT ONLY



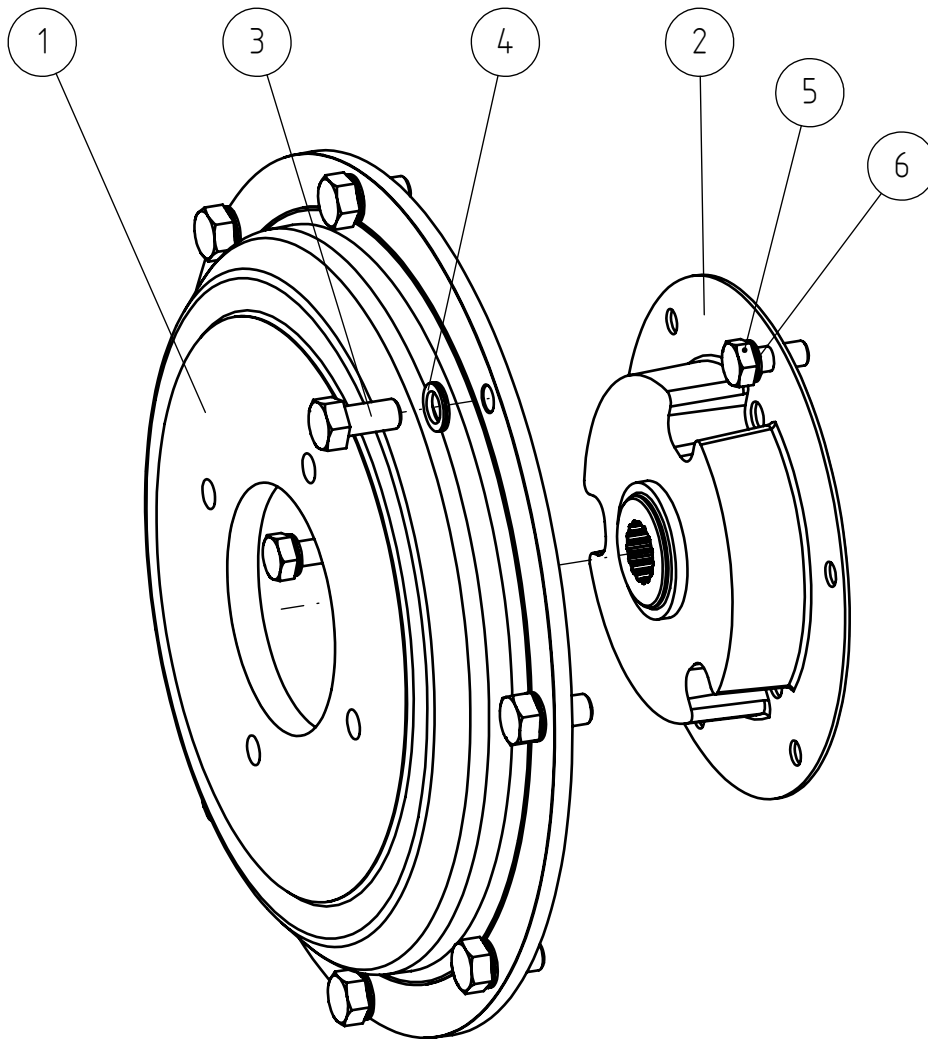
23.1.2024

65206 ENGINE V2403-M-E3B-AVN-1 *EU EXPORT ONLY

| REF | PART NO | QTY | DESCRIPTION | NOTES | PAGE |
|-----|---------|-----|--|-------|------|
| 1 | 65206 | 1 | ENGINE V2403-M-E3B-AVN-1 *EU EXPORT ONLY | | 58 |
| 2 | A429585 | 1 | FAN BELT KUBOTA V2403 | | - |
| 3 | A451542 | 1 | V-BELT L=1067 (42") KUBOTA V2403 | | - |
| 4 | A424915 | 1 | MOUNTING BRACKET FRONT LOWER ALTERNATOR | | - |
| 5 | A424916 | 1 | ADJUSTMENT BRACKET ALTERNATOR KUBOTA | | - |
| 6 | A424917 | 1 | MOUNTING BRACKET REAR LOWER ALTERNATOR | | - |
| 7 | 65535 | 1 | ALTERNATOR KUBOTA 70A | | - |
| 8 | A429582 | 1 | STARTER MOTOR KUBOTA V2403 | | - |
| 9 | A429583 | 1 | STOP SOLENOID | | - |
| 10 | A429584 | 1 | WATER PUMP KUBOTA V2403 | | - |
| 11 | A429598 | 1 | INJECTION PUMP KUBOTA V2403 | | - |
| 12 | A429622 | 1 | THERMOSTAT KUBOTA V2403 | | - |
| 13 | A429857 | 1 | GLOW PLUG KUBOTA V2403 | | - |
| 14 | A432254 | 1 | GASKET KIT ENGINE LOWER PART KUBOTA | | - |
| 15 | 65145 | 1 | ALTERNATOR KUBOTA 40A | | - |
| 16 | A444459 | 1 | TEMPERATURE SWITCH 115° C KUBOTA | | - |
| - | A444459 | 1 | TEMPERATURE SWITCH 115° C KUBOTA | | - |

23.1.2024

A463305

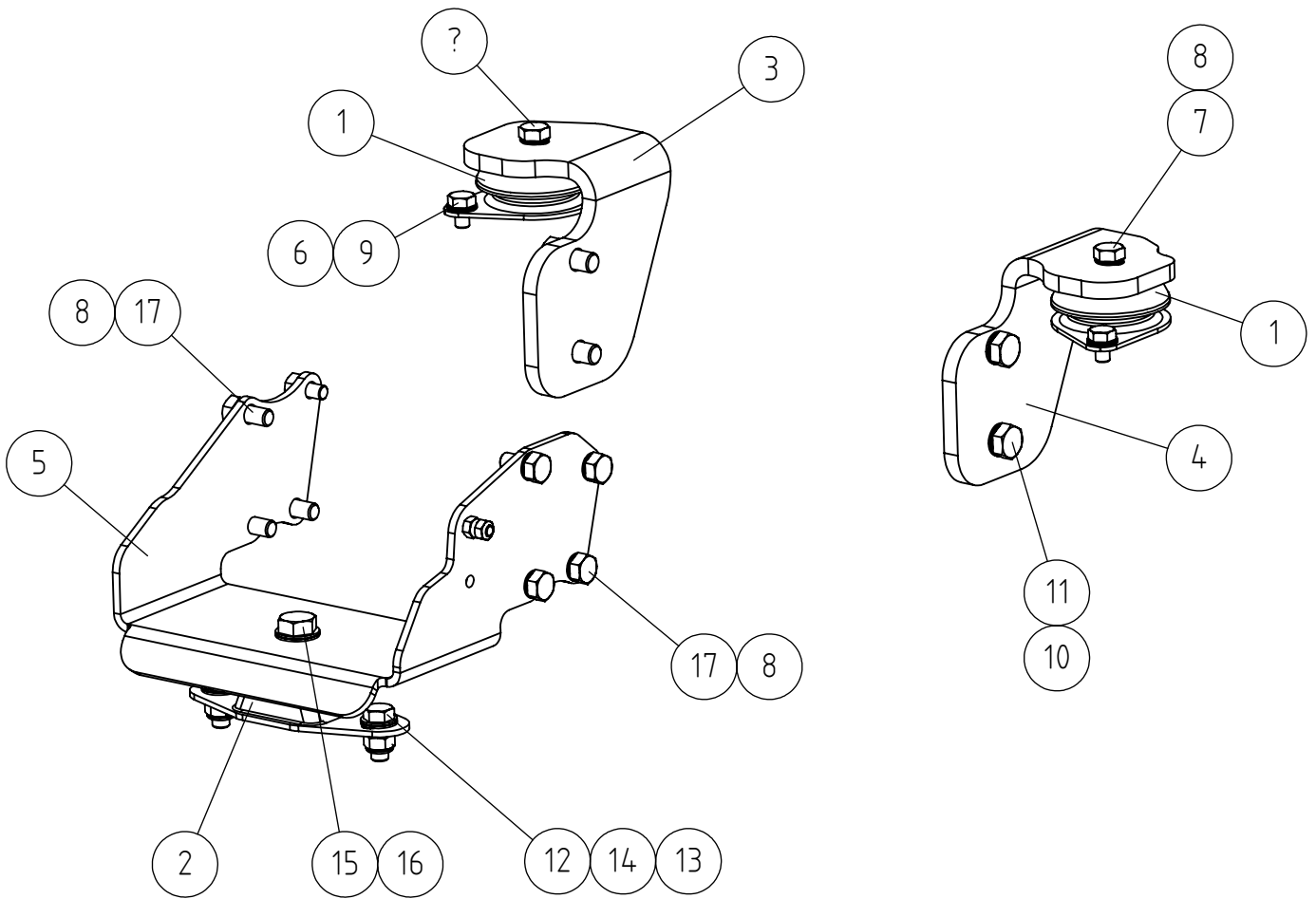


23.1.2024

A463305

| REF | PART NO | QTY | DESCRIPTION | NOTES | PAGE |
|-----|---------|-----|--|-------|------|
| 1 | 66507 | 1 | FLYWHEEL HOUSING BONDIOLI/KUBOTA SAE B | | - |
| 2 | 66509 | 1 | COUPLING Z=15 BONDIOLI / KUBOTA | | - |
| 3 | 73935 | 8 | HEXAGONAL SCREW M12*1,25 -25 DIN 961 | | - |
| 4 | 74532 | 8 | WASHER NORDLOCK NL12 | | - |
| 5 | 73936 | 6 | HEXAGONAL SCREW M10*1,25-25 | | - |
| 6 | 74531 | 6 | SPACER NORDLOCK M10, PAIR | | - |

A463334



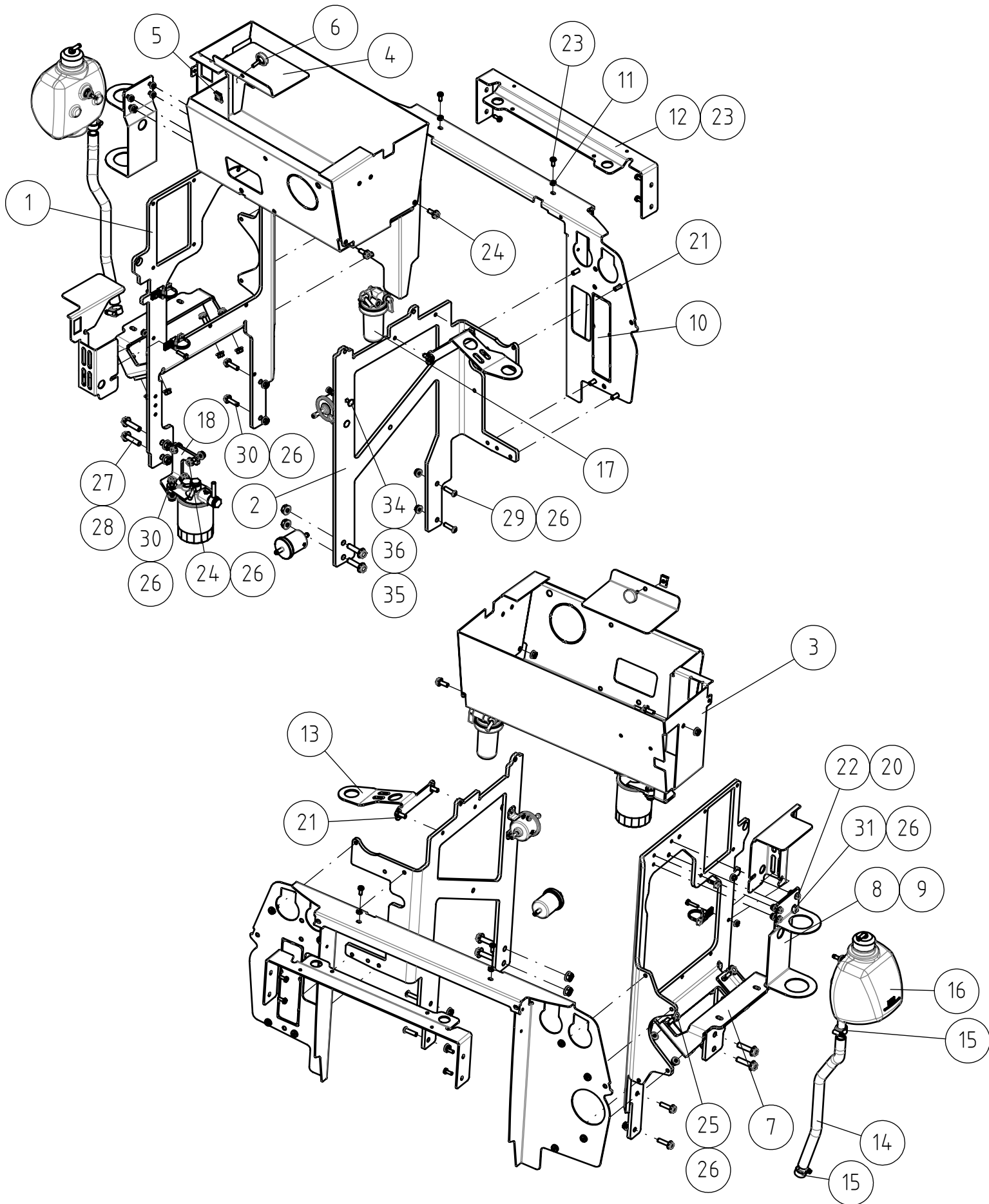
23.1.2024

A463334

| REF | PART NO | QTY | DESCRIPTION | NOTES | PAGE |
|-----|---------|-----|---|-------|------|
| 1 | 66381 | 2 | ENGINE MOUNT RUBBER 60SH M12 AMC BRB | | - |
| 2 | 66512 | 1 | ANTI VIBRATION MOUNT M16 F13/30-F13/22 | | - |
| 3 | A421535 | 1 | MOUNTING BRACKET, ENGINE, LEFT 745/750 | | - |
| 4 | A421549 | 1 | MOUNTING BRACKET ENGINE,RIGHT T 745/750 | | - |
| 5 | A426067 | 1 | MOUNTING BRACKET, REAR, ENGINE | | - |
| 6 | 75102 | 4 | SPACER NORDLOCK M10 NL10SP, PAIR | | - |
| 7 | 73042 | 2 | HEX. SCREW M12*35 DIN 933 ZN | | - |
| 8 | 74532 | 9 | WASHER NORDLOCK NL12 | | - |
| 9 | 72147 | 4 | HEXAGONAL SCREW M 10*16 DIN 933 | | - |
| 10 | 74690 | 4 | WASHER NORDLOCK M14 NL14 | | - |
| 11 | 74800 | 4 | HEXAGONAL SCREW M14*1,5 -30 DIN 961 | | - |
| 12 | 72167 | 2 | HEXAGONAL SCREW M12*30 DIN 933 | | - |
| 13 | A430999 | 2 | WASHER, PAIR, M12 NORDLOCK | | - |
| 14 | 72324 | 2 | HEXAGONAL NUT M 12 NYLOC DIN 985 | | - |
| 15 | 74799 | 1 | HEXAGONAL SCREW M16*35 DIN 933 | | - |
| 16 | 75103 | 1 | SPACER NORDLOCK M16 NL16SP, PAIR | | - |
| 17 | 73935 | 7 | HEXAGONAL SCREW M12*1,25 -25 DIN 961 | | - |
| 18 | 74789 | 1 | HEXAGONAL SCREW M10*1,25-20 | | - |
| 19 | 74531 | 1 | SPACER NORDLOCK M10, PAIR | | - |
| 20 | 72319 | 2 | HEXAGONAL NUT M8 DIN 934 | | - |
| 21 | 72132 | 1 | HEXAGONAL SCREW M 8*25 DIN 933 ZN | | - |

23.1.2024

A456555 ENGINE BAY 735, 745, 750, 850



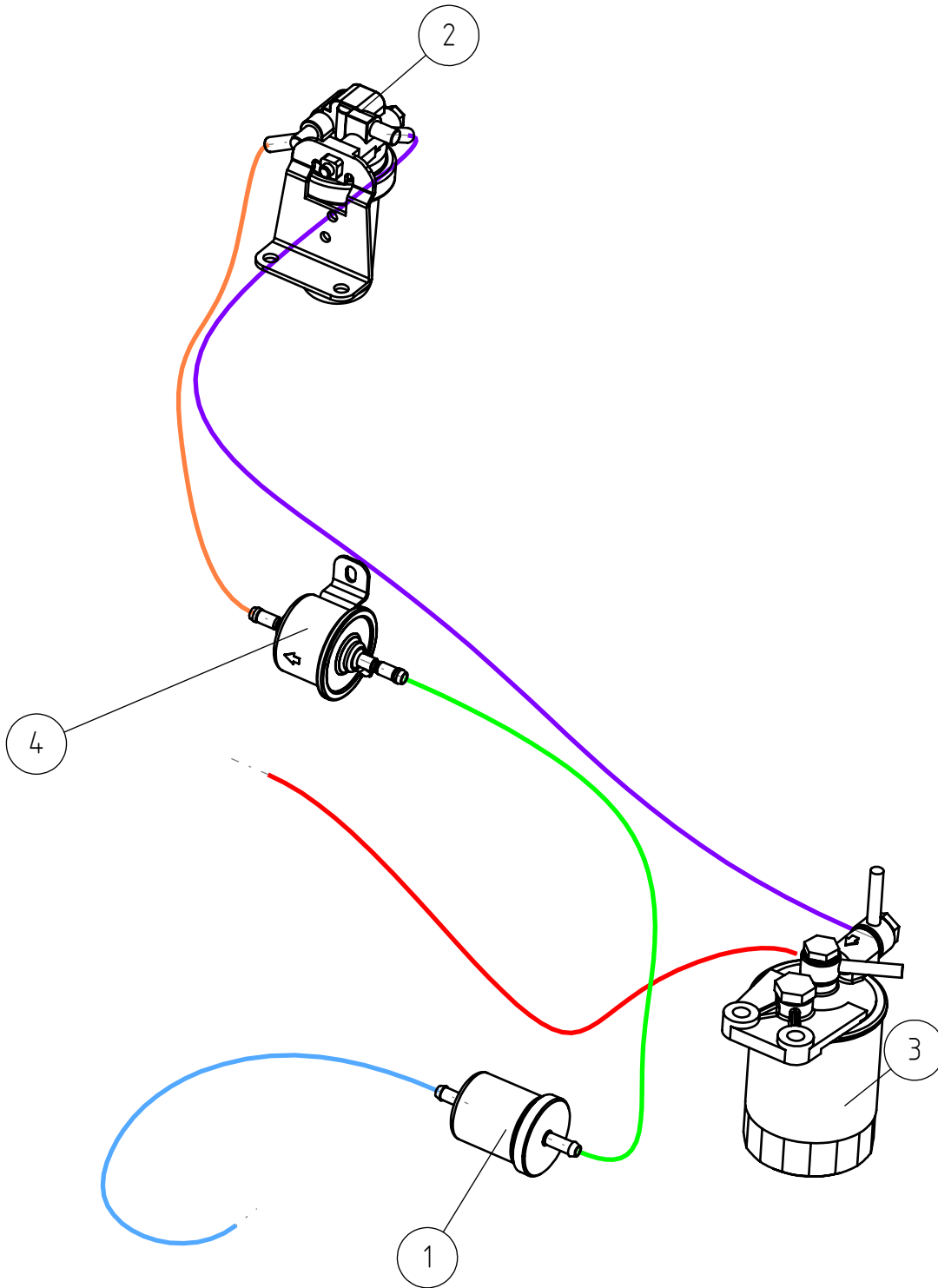
23.1.2024

A456555 ENGINE BAY 735, 745, 750, 850

| REF | PART NO | QTY | DESCRIPTION | NOTES | PAGE |
|------|---------|-----|--|-------|------|
| 1 | A447813 | 1 | MOUNTING BRACKET, RIGHT | | - |
| 2 | A450958 | 1 | MOUNTING BRACKET LEFT 8MM 700-800 SER | | - |
| 3 | A456559 | 1 | EQUIPMENT COMPARTMENT | | - |
| 4 | A419234 | 1 | HATCH | | - |
| 5 | 74807 | 1 | SPEED NUT M6, FOR 0.5-4.0 MM PLATE | | - |
| 6 | 64941 | 1 | FINGER SCREW M6*20 R3015RM620S | | - |
| 7 | A441478 | 1 | BRACKET EXHAUST MUFFLER 735 745 750 | | - |
| 8 | A417250 | 1 | BRACKET | | - |
| 9 | A417251 | 1 | BRACKET, UPPER | | - |
| 10 | A447575 | 1 | COUNTER PLATE REAR GRILLE 700/800 SERIES | | - |
| 11 | A413429 | 2 | SPACER | | - |
| 12 | A446715 | 1 | BRACKET UPPER RADIATOR 700/800 SERIES | | - |
| 13 | A437344 | 1 | MOUNTING BRACKET FUEL TANK | | - |
| 14 | A450939 | 1 | WATER HOSE OVERFLOW TANK 700/800 | | - |
| 15 | 64337 | 2 | HOSE CLAMP 19-28 MM ABA | | - |
| 16 | A417223 | 1 | OVERFLOW TANK WITH CAP 745-760I | | - |
| 16.1 | 66448 | 1 | CAP EXPANSION TANK | | - |
| 17 | A441676 | 1 | FUEL SYSTEM ASSEMBLY WITH FILTER 700/800 | | 66 |
| 18 | A441663 | 1 | BRACKET FUEL FILTER 700-800 SERIES | | - |
| 19 | A456760 | 1 | HEAT SHIELD WIRE HARNESS / EXHAUST | | - |
| 20 | 74781 | 5 | HEXAGONAL NUT M6 WITH FLANGE | | - |
| 21 | A435496 | 10 | THREAD-FORMING SCREW M8*20 DIN 7500C | | - |
| 22 | A431349 | 3 | HEXAGONAL SERRATED SCREW M6*20 W. FLANG | | - |
| 23 | 75129 | 6 | THREAD-FORMING SCREW M6*16 DIN 7500C | | - |
| 24 | A429201 | 5 | HEXAGONAL SERRATED SCREW M8*20 WITH | | - |
| 25 | A429202 | 4 | HEXAGONAL SERRATED SCREW M8*25 WITH FLAN | | - |
| 26 | 74782 | 16 | HEXAGONAL NUT M8 WITH FLANGE | | - |
| 27 | A432192 | 4 | HEXAGONAL SERRATED SCREW M10*40 W. FLANG | | - |
| 28 | 74783 | 4 | HEXAGONAL NUT M10 WITH FLANGE | | - |
| 29 | A439829 | 2 | HEXAGONAL HEAD SCREW M8*30 10.9 2 | | - |
| 30 | A429203 | 4 | HEXAGONAL SERRATED SCREW M8*30 WITH | | - |
| 31 | 74481 | 1 | HEXAGONAL HEAD SCREW M8*20 DIN 912 ZN | | - |
| 32 | A442639 | 2 | CABLE TIE 7,6*390 M6 BLACK | | - |
| 33 | 72119 | 2 | HEXAGONAL SCREW M6*25 DIN 933 ZN | | - |
| 34 | 74913 | 2 | CARRIAGE BOLT M6*20 DIN603 | | - |
| 35 | 72318 | 2 | HEXAGONAL NUT M 6 DIN 985 NYLOC | | - |
| 36 | 71680 | 2 | WASHER M6 DIN 125 | | - |

23.1.2024

A441676 FUEL SYSTEM ASSEMBLY WITH FILTER 700/800



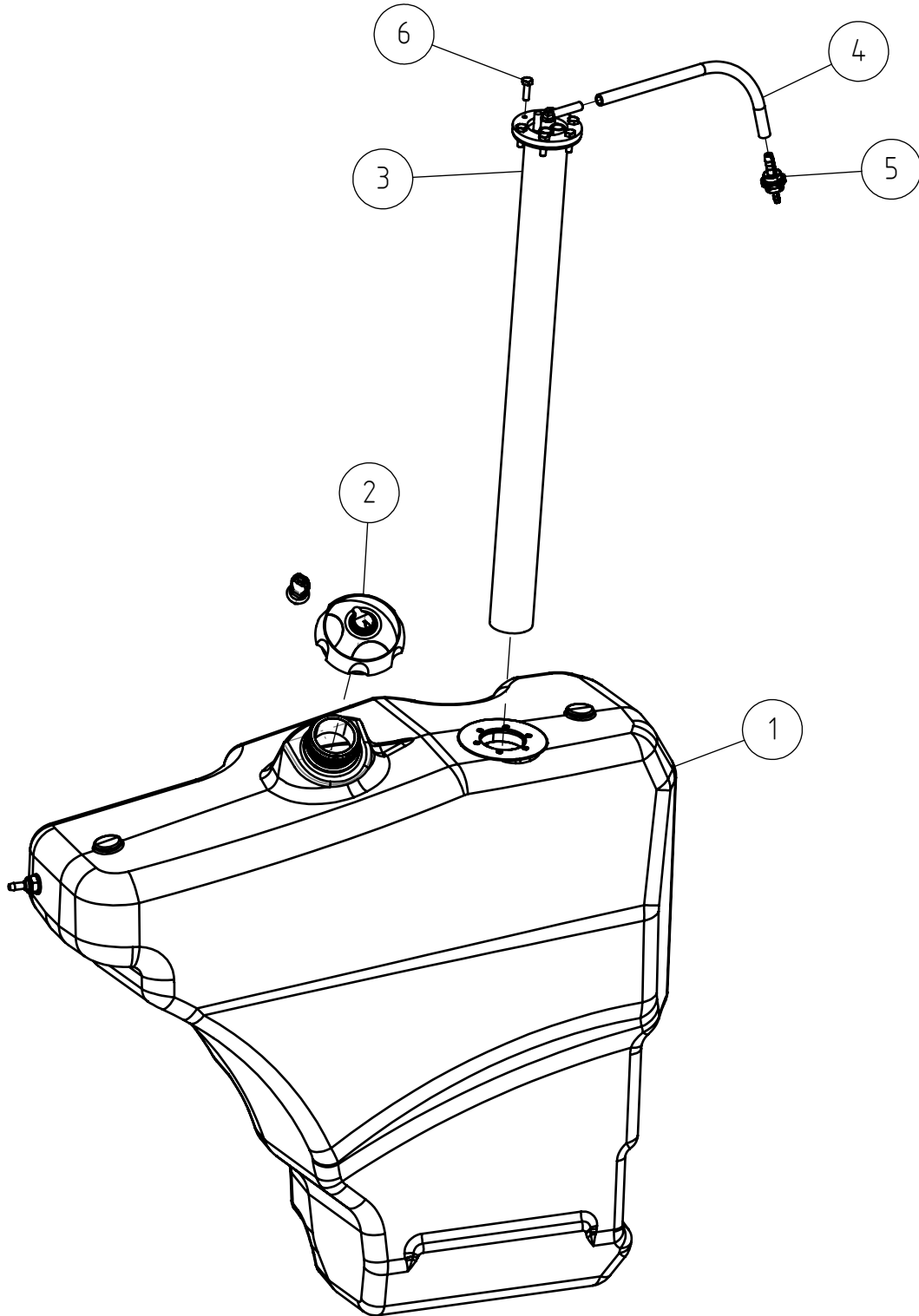
23.1.2024

A441676 FUEL SYSTEM ASSEMBLY WITH FILTER 700/800

| REF | PART NO | QTY | DESCRIPTION | NOTES | PAGE |
|-----|---------|-----|--|-------|------|
| 1 | 64657 | 1 | FUEL FILTER IN HOSE 12581-43012 D1105 | | - |
| 2 | 64920 | 1 | WATER SEQUESTER, KIT, KUBOTA 16614-43001 | | - |
| 3 | 65189 | 1 | FUEL FILTER, KIT, V2403 | | - |
| 3.1 | 64626 | 1 | FUEL FILTER CARTRIDGE 15221-4308-0 | | - |
| 4 | 64625 | 1 | FUEL PUMP ELECTR. | | - |

23.1.2024

A436129 FUEL TANK ASSEMBLY 66L



23.1.2024

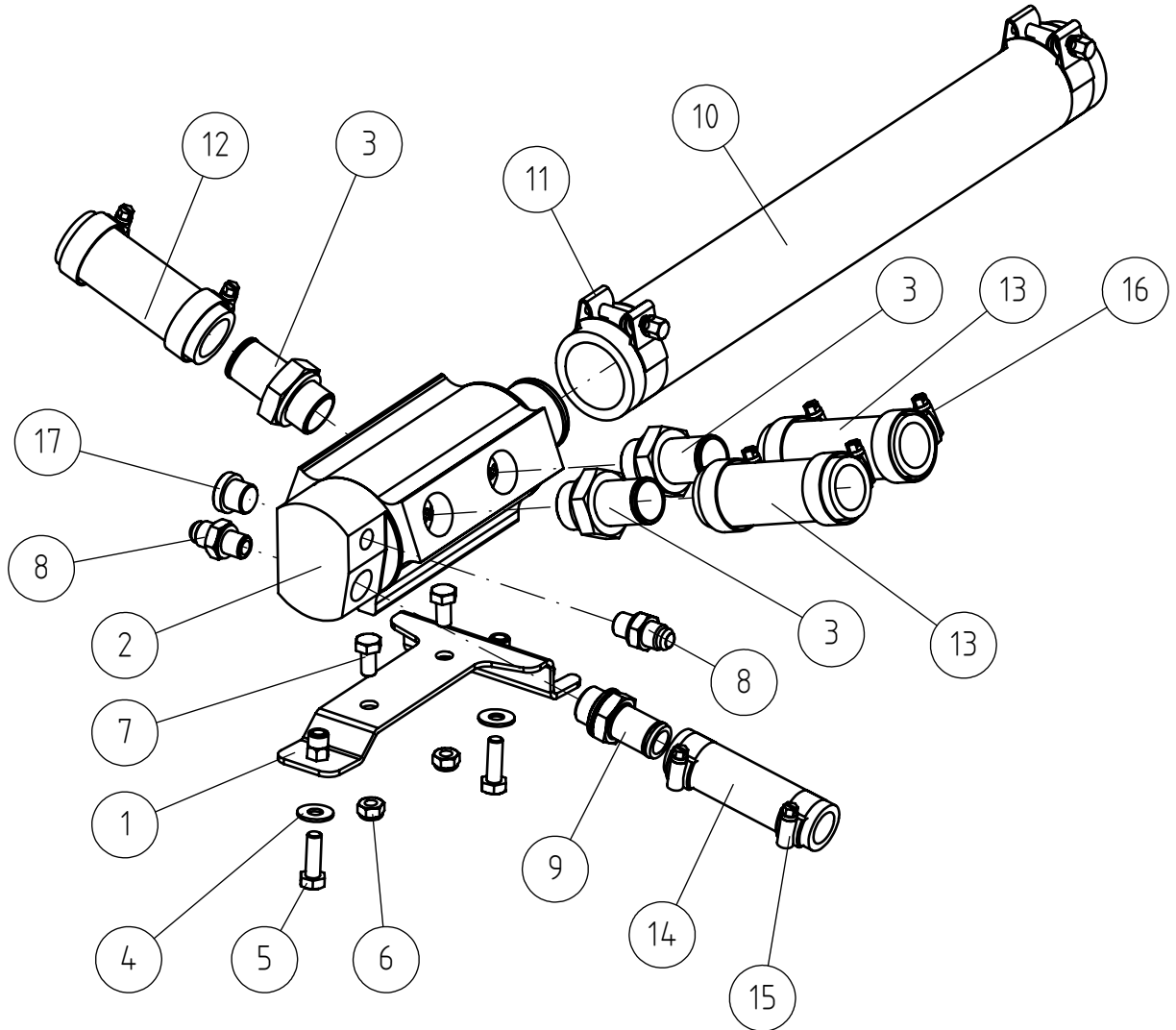
A436129 FUEL TANK ASSEMBLY 66L

| REF | PART NO | QTY | DESCRIPTION | NOTES | PAGE |
|-----|---------|-----|-------------------------------|-------|------|
| 1 | A436127 | 1 | FUEL TANK 66 LITRES | | - |
| 2 | A410521 | 1 | FUEL TANK CAP, LOCKABLE | | - |
| 3 | A436296 | 1 | SENSOR FUEL GAUGE | | - |
| 4 | A422532 | 1 | FUEL HOSE L=350 | | - |
| 5 | A422526 | 1 | CHECK VALVE FUEL TANK | | - |
| 6 | 72118 | 6 | HEXAGONAL SCREW M6*20 DIN 933 | | - |

23.1.2024

A455660 HYDRAULIC MANIFOLD ASSEMBLY 800 SERIES

Starting from production week 33/2023.
Earlier assembly A436989.



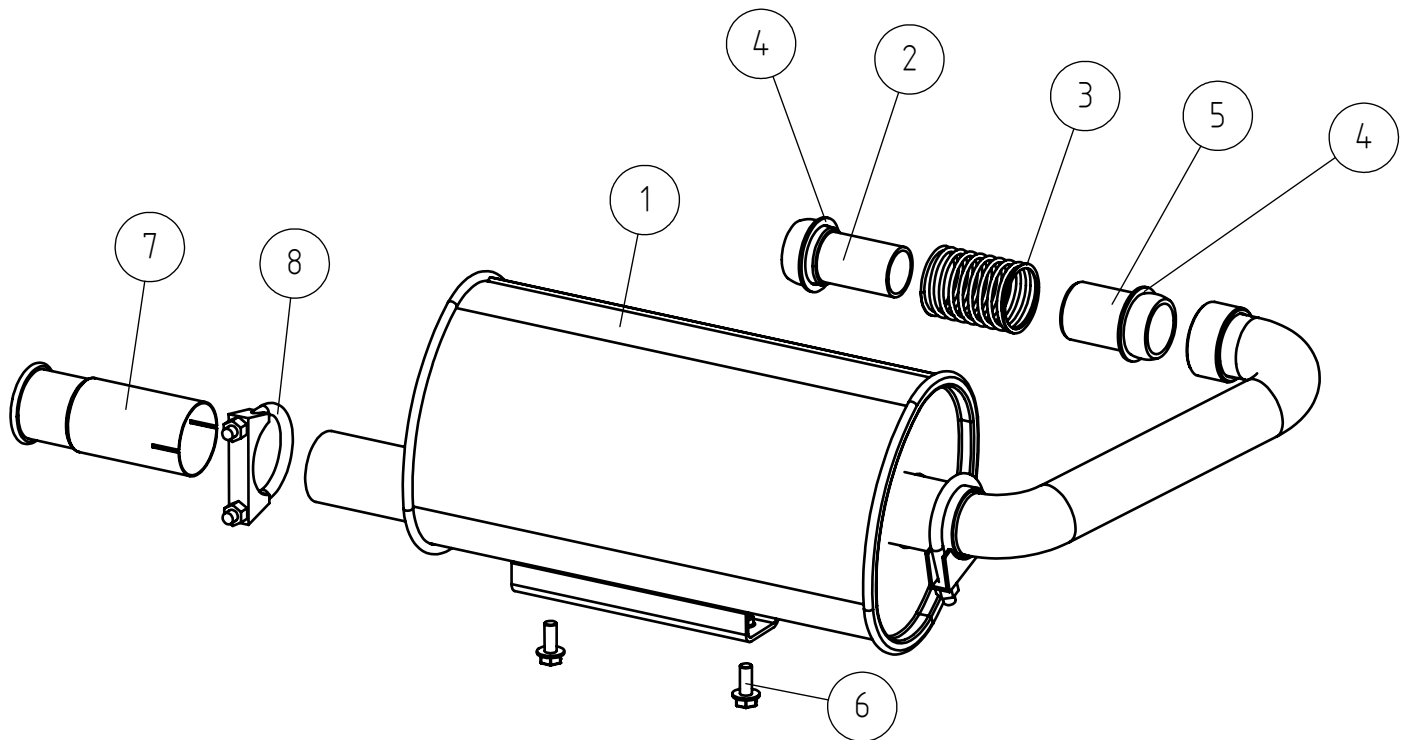
23.1.2024

A455660 HYDRAULIC MANIFOLD ASSEMBLY 800 SERIES

| REF | PART NO | QTY | DESCRIPTION | NOTES | PAGE |
|-----|---------|-----|-------------------------------------|-------|------|
| 1 | A429660 | 1 | MOUNTING BRACKET HYDRAULIC MANIFOLD | | - |
| 2 | A450772 | 1 | HYDRAULIC MANIFOLD ASSEMBLY | | - |
| 3 | 66107 | 3 | HOSE BARB R3/4"UK - 25 MM L=58 | | - |
| 4 | 74525 | 2 | WASHER M8 8,4*20*1,25 ZN | | - |
| 5 | 72132 | 2 | HEXAGONAL SCREW M 8*25 DIN 933 ZN | | - |
| 6 | 72320 | 2 | HEXAGONAL NUT M8 NYLOC DIN 985 | | - |
| 7 | 73039 | 2 | HEXAGONAL SCREW M 8*16 DIN 933 ZN | | - |
| 8 | 64059 | 2 | BASIC FITTING F40XS10-1/4 | | - |
| 9 | 66428 | 1 | HOSE BARB R1/2"UK - 20MM | | - |
| 10 | A410028 | 1 | INLET HOSE F53/F40-440 | | - |
| 11 | 66013 | 2 | PIPE CLAMP POWER-FLEX S-048- | | - |
| 12 | A436987 | 1 | INLET HOSE D25 L=660 | | - |
| 13 | A436985 | 2 | INLET HOSE D25 L=590 | | - |
| 14 | A436981 | 1 | HOSE D19 L=800 | | - |
| 15 | 73530 | 2 | HOSE CLAMP 22-32 MM | | - |
| 16 | 73809 | 6 | HOSE CLAMP 32-44 MM | | - |
| 17 | 74411 | 1 | HEXAGONAL PLUG HF 3/8" HTUNG | | - |

23.1.2024

A463303

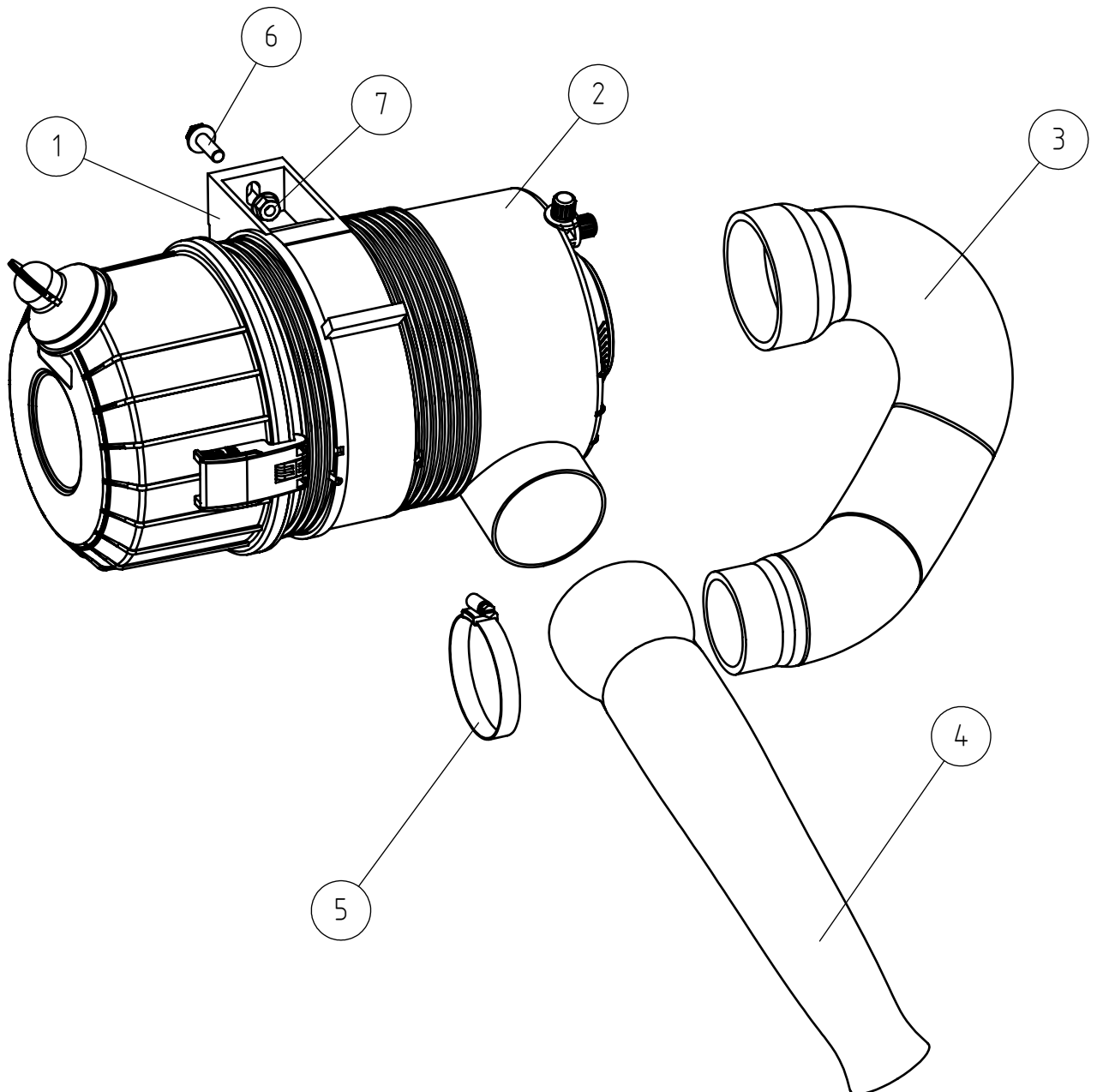


23.1.2024

A463303

| REF | PART NO | QTY | DESCRIPTION | NOTES | PAGE |
|-----|---------|-----|---|-------|------|
| 1 | A441523 | 1 | EXHAUST MUFFLER + PIPE ASSEMBLY 745/750 | | - |
| 2 | A46003 | 1 | EXHAUST PIPE, INNER | | - |
| 3 | A46005 | 1 | SPRING 3*41*140 NT 8,5 | | - |
| 4 | A46002 | 2 | RING | | - |
| 5 | A46004 | 1 | EXHAUST PIPE, OUTER | | - |
| 6 | A429201 | 2 | HEXAGONAL SERRATED SCREW M8*20 WITH | | - |
| 7 | 65598 | 1 | EXHAUST TRIM, MUFFLER, CHROME FINISH | | - |
| 8 | 74853 | 1 | CLAMP, EXHAUST MUFFLER | | - |

A463291 AIR FILTER ASSEMBLY 745/750/850 KUBOTA



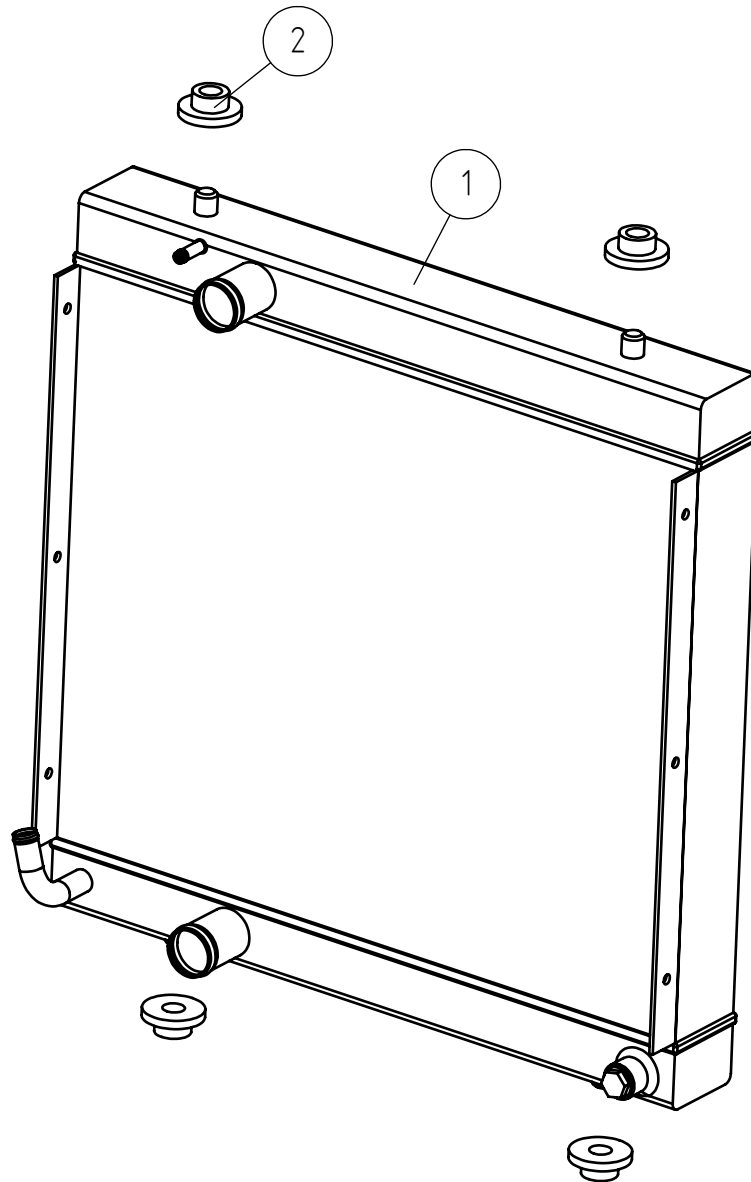
23.1.2024

A463291 AIR FILTER ASSEMBLY 745/750/850 KUBOTA

| REF | PART NO | QTY | DESCRIPTION | NOTES | PAGE |
|-----|---------|-----|--|-------|------|
| 1 | 65946 | 1 | CLAMP, AIR FILTER 65941 | | - |
| 2 | 65941 | 1 | AIR FILTER COMPLETE KOHLER KDI 1903 TCR | | - |
| 2.1 | 66060 | 1 | AIR FILTER CARTRIDGE 6351-6501 7551 7601 | | - |
| 2.2 | 66061 | 1 | AIR FILTER, INNER SCREEN ELEMENT | | - |
| 3 | A419184 | 1 | INLET HOSE 745/750 | | - |
| 4 | A442202 | 1 | AIR INTAKE SILENCER KUBOTA V2403 700/800 | | - |
| 5 | 64339 | 1 | HOSE CLAMP ABA 68-85 MM | | - |
| 6 | A429202 | 2 | HEXAGONAL SERRATED SCREW M8*25 WITH FLAN | | - |
| 7 | A450046 | 2 | HEXAGONAL NUT M8 WITH FLANGE | | - |

23.1.2024

A460889 RADIATOR ASSEMBLY



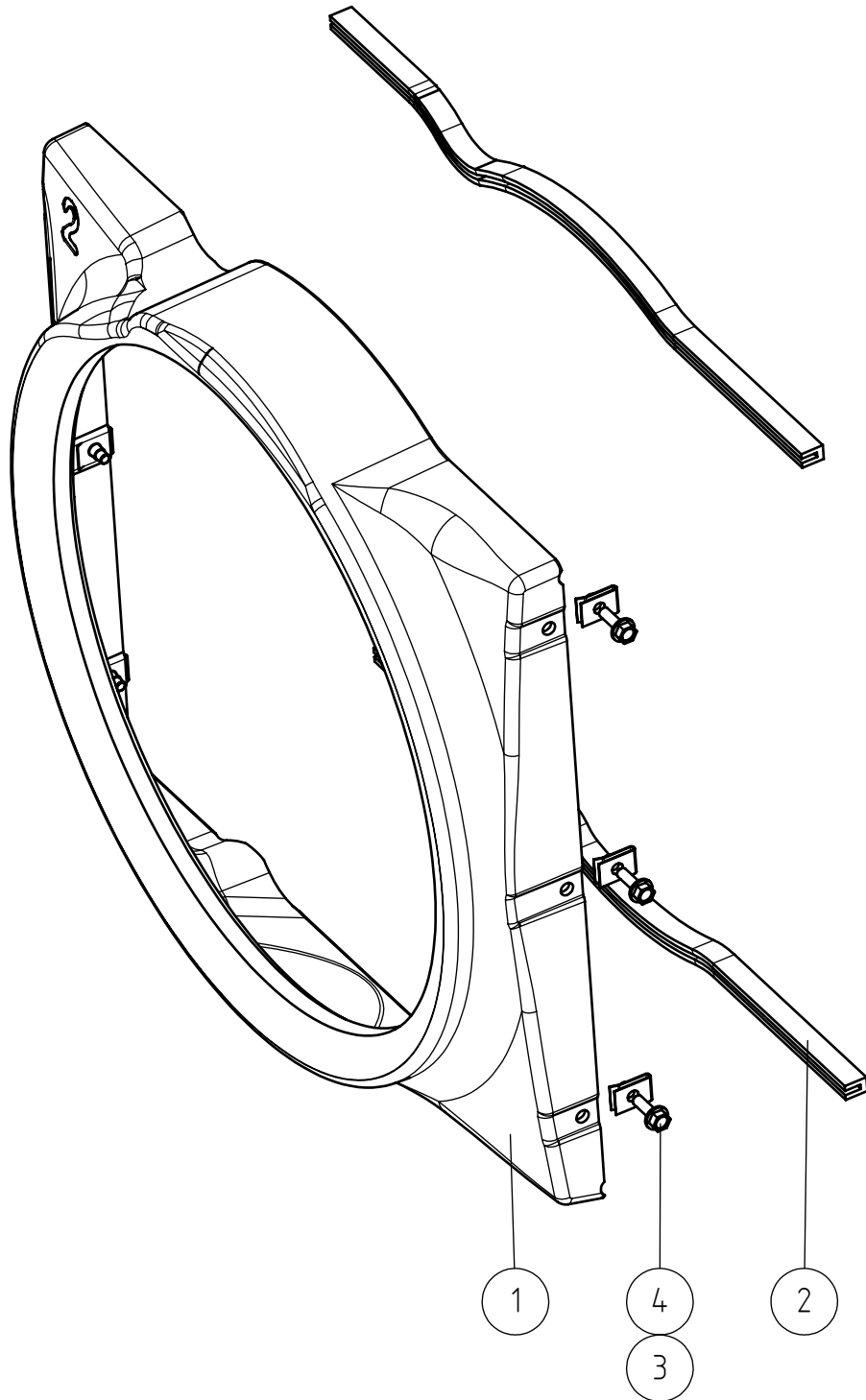
23.1.2024

A460889 RADIATOR ASSEMBLY

| REF | PART NO | QTY | DESCRIPTION | NOTES | PAGE |
|-----|---------|-----|----------------------------------|-------|------|
| 1 | A443473 | 1 | RADIATOR KUBOTA/KOHLER | | - |
| 2 | A420381 | 4 | VIBRATION DAMPER RUBBER RADIATOR | | - |

23.1.2024

A461143 WIND TUNNEL NO. 2 ASSEMBLY



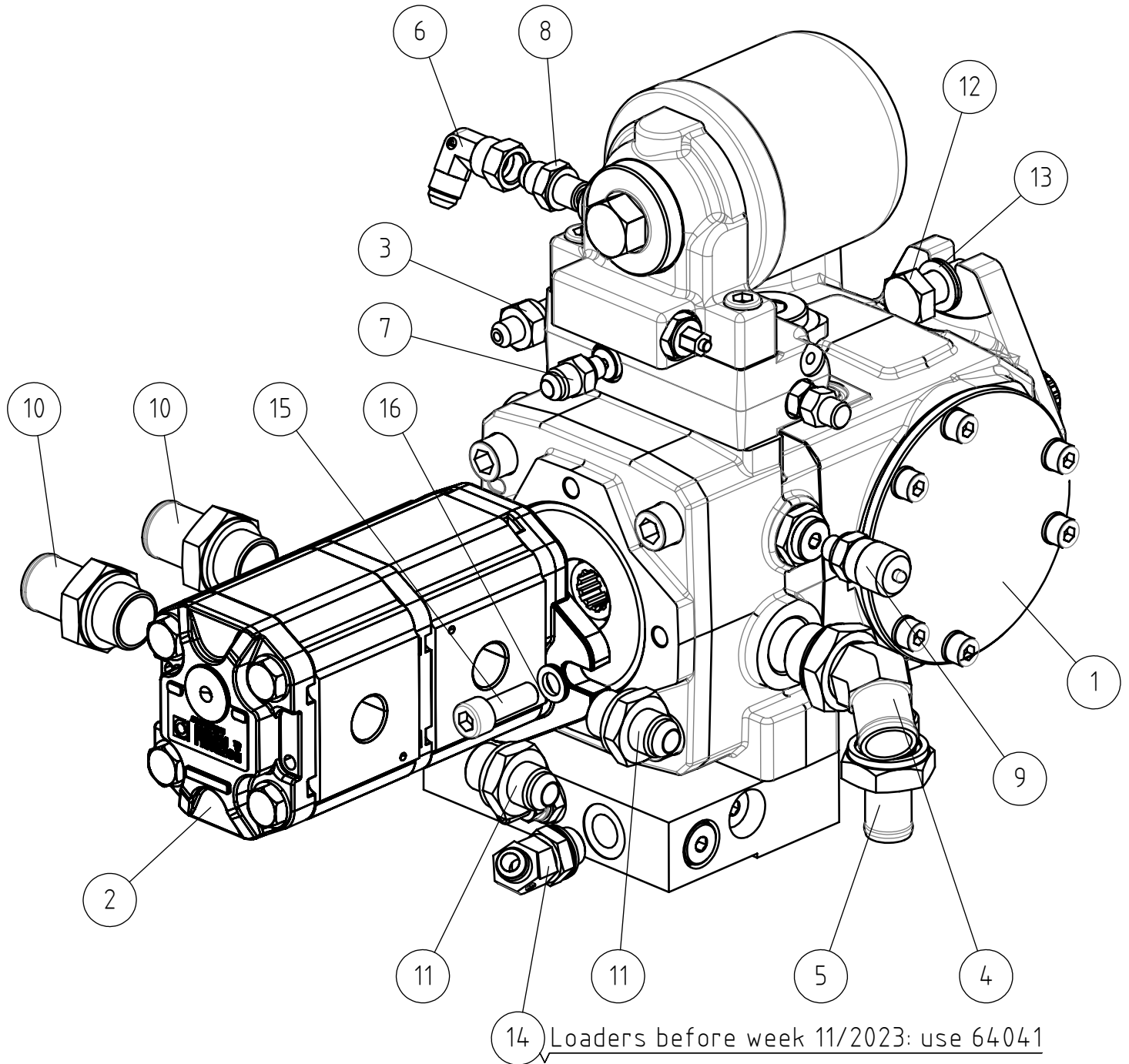
23.1.2024

A461143 WIND TUNNEL NO. 2 ASSEMBLY

| REF | PART NO | QTY | DESCRIPTION | NOTES | PAGE |
|-----|---------|-----|---|-------|------|
| 1 | A443060 | 1 | WIND TUNNEL 635 640 735 745 750 | | - |
| 2 | A438764 | 1 | EDGE STRIP WIND TUNNEL KOHLER KDI | | - |
| 3 | 74807 | 6 | SPEED NUT M6, FOR 0.5-4.0 MM PLATE | | - |
| 4 | A431349 | 6 | HEXAGONAL SERRATED SCREW M6*20 W. FLANG | | - |

23.1.2024

A429273 HYDRAULIC PUMPS ASSEMBLY 745/750 OPTIDRI

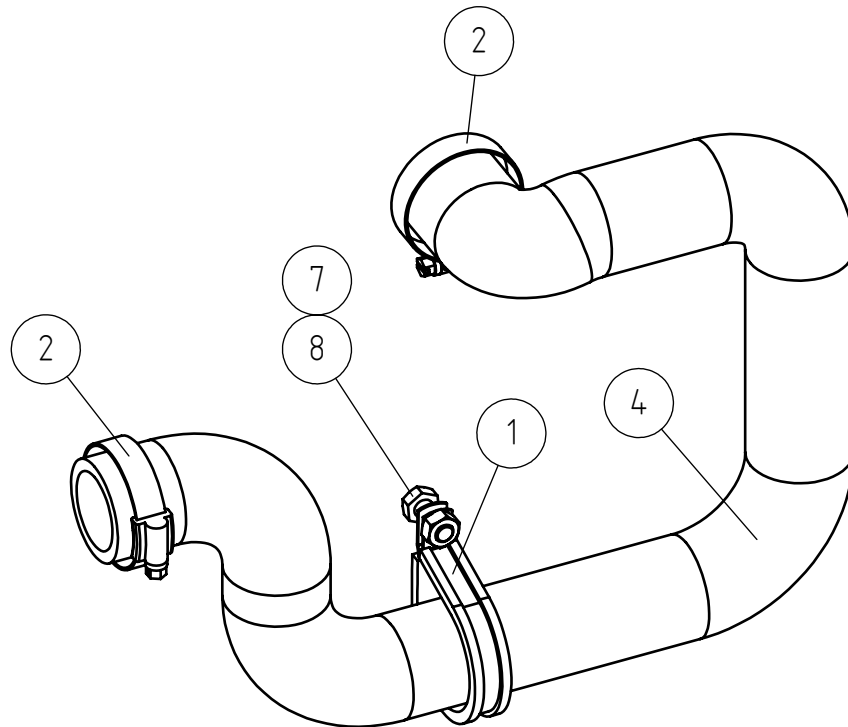
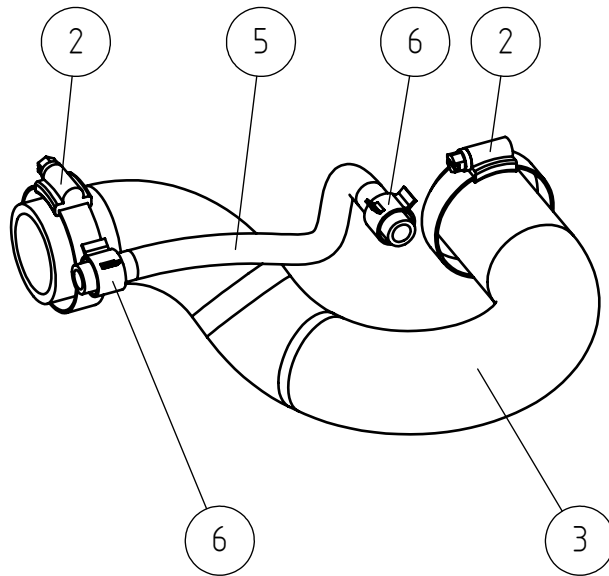


23.1.2024

A429273 HYDRAULIC PUMPS ASSEMBLY 745/750 OPTIDRI

| REF | PART NO | QTY | DESCRIPTION | NOTES | PAGE |
|-----|---------|-----|--|-------|------|
| 1 | 66354 | 1 | VARIABLE DISPL. PUMP 745/750 HP P4 034 | | - |
| 2 | 65142 | 1 | HYDRAULIC PUMP HPLPB214/211 | | - |
| 3 | 64678 | 2 | BASIC FITTING F40XS6-1/4" | | - |
| 4 | 66362 | 1 | HOSE BARB 45° R3/4"UK - 25MM | | - |
| 5 | 66427 | 1 | HOSE BARB R3/4"UK - 20MM | | - |
| 6 | 64043 | 1 | ELBOW FITTING 90° C6XS10 | | - |
| 7 | 64346 | 1 | BASIC FITTING F40XS10-1/8" | | - |
| 8 | 64059 | 1 | BASIC FITTING F40XS10-1/4" | | - |
| 9 | 65559 | 2 | MANOMETER FITTING M16*2 | | - |
| 10 | 66107 | 2 | HOSE BARB R3/4"UK - 25 MM L=58 | | - |
| 11 | 64058 | 2 | BASIC FITTING F40XS12-1/2" | | - |
| 12 | 74511 | 2 | HEXAGONAL SCREW M14* 30 DIN 933 | | - |
| 13 | 74690 | 2 | WASHER NORDLOCK M14 NL14 | | - |
| 14 | 65644 | 1 | ELBOW FITTING 45° V40XS10-1/4" | | - |
| 15 | 74467 | 2 | HEXAGONAL HEAD SCREW M10* 30 DIN 912 | | - |
| 16 | 74531 | 2 | SPACER NORDLOCK M10, PAIR | | - |

A463333



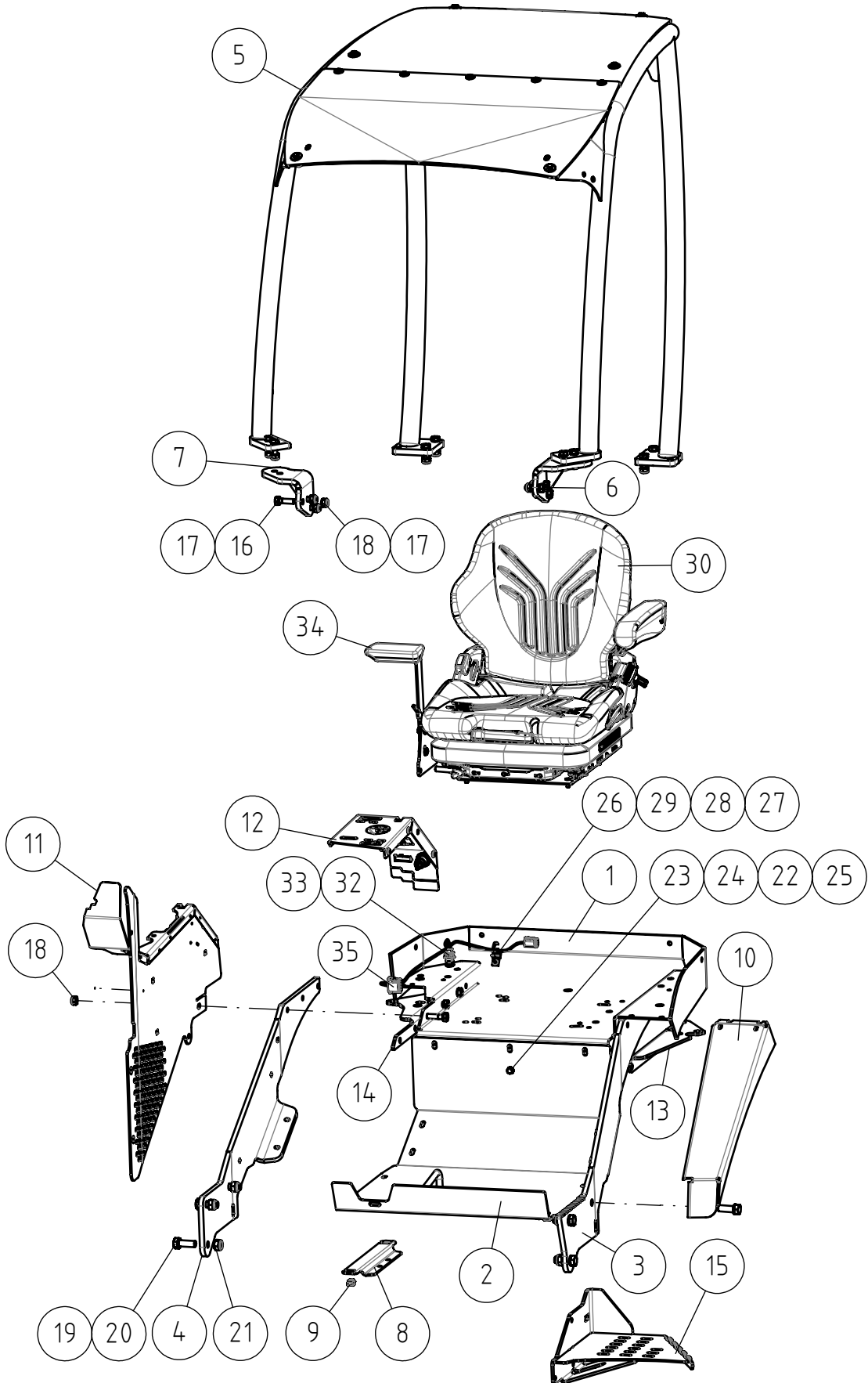
23.1.2024

A463333

| REF | PART NO | QTY | DESCRIPTION | NOTES | PAGE |
|-----|---------|-----|---|-------|------|
| 1 | 74875 | 1 | PIPE CLAMP F51 MM | | - |
| 2 | 64338 | 4 | HOSE CLAMP ABA 44-56 MM | | - |
| 3 | A419202 | 1 | RADIATOR HOSE UPPER V2403 745/750 | | - |
| 4 | A416545 | 1 | WATER HOSE, LOWER, AIR CONDITIONING 700 | | - |
| 5 | A419237 | 1 | RADIATOR HOSE L=250 700 SERIES | | - |
| 6 | A453015 | 2 | SPRING BAND HOSE CLAMP D13,5 DIN 3021 | | - |
| 7 | 72319 | 1 | HEXAGONAL NUT M8 DIN 934 | | - |
| 8 | 72130 | 1 | HEXAGONAL SCREW M8*20 | | - |

23.1.2024

A453526 ROPS/FOPS CAB ASSEMBLY 800 SERIES

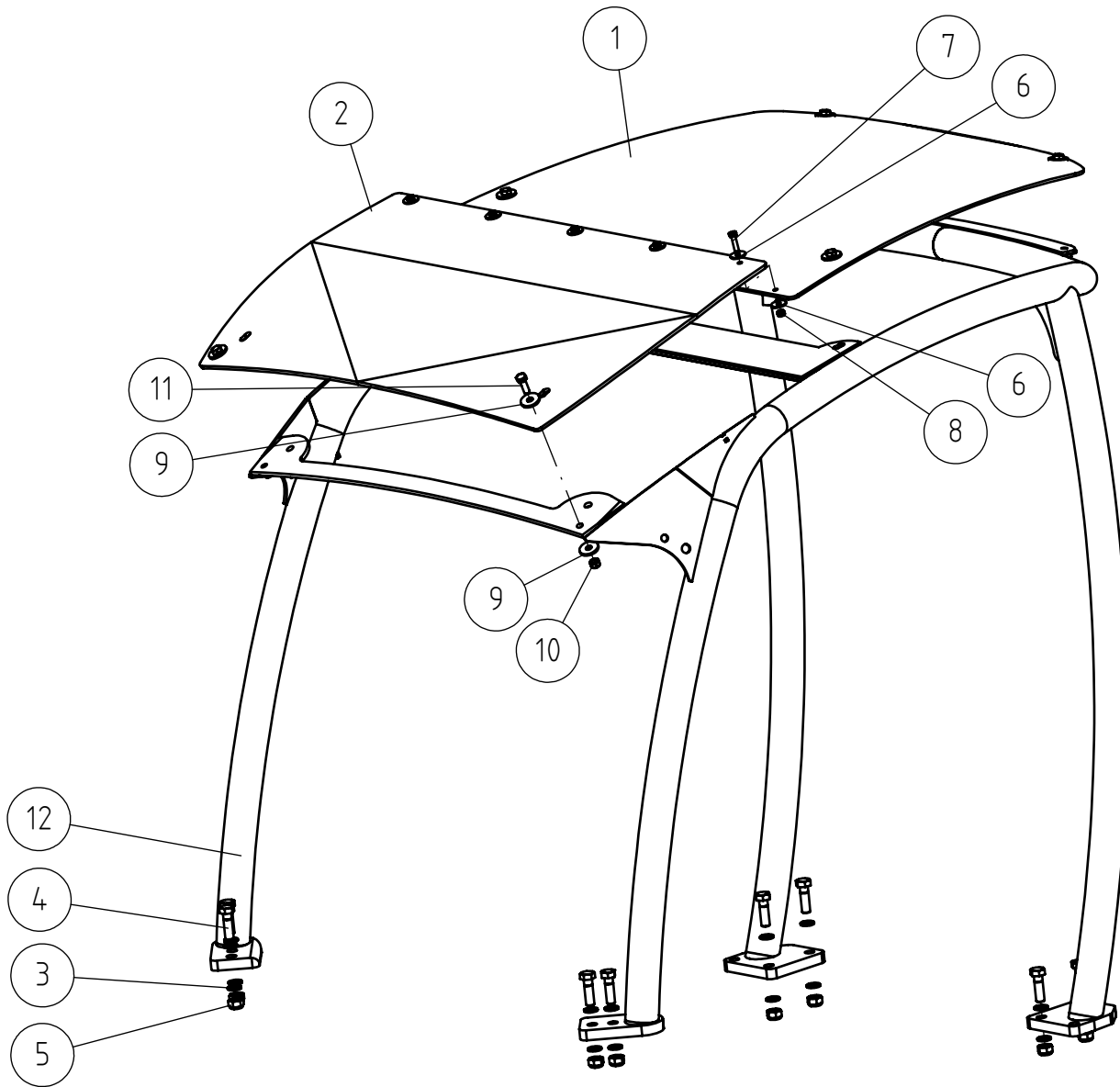


23.1.2024

A453526 ROPS/FOPS CAB ASSEMBLY 800 SERIES

| REF | PART NO | QTY | DESCRIPTION | NOTES | PAGE |
|-----|---------|-----|---|-------|------|
| 1 | A48246 | 1 | SEAT BASE | | - |
| 2 | A426699 | 1 | FLOOR PLATE | | - |
| 3 | A426647 | 1 | BAR, LEFT | | - |
| 4 | A426629 | 1 | BAR, RIGT | | - |
| 5 | A426681 | 1 | ROPS+FOPS CANOPY 800 SERIES, ASSEMBLY | | 86 |
| 6 | A431765 | 1 | MOUNTING BRACKET LEFT, ROPS | | - |
| 7 | A431768 | 1 | MOUNTING BRACKET RIGHT, ROPS | | - |
| 8 | A428785 | 2 | SUPPORT, FLOOR PLATE | | - |
| 9 | A428786 | 4 | CAGE NUT M8 S=3 | | - |
| 10 | A426712 | 1 | EDGE PLATE SEAT BASE | | - |
| 11 | A453078 | 1 | SIDE PLATE, FRONT FRAME AVANT 800 ROPS | | - |
| 12 | A439987 | 1 | INSTRUMENT PANEL WITH DECAL 700 / 800 | | 88 |
| 13 | A431718 | 1 | SUPPORT PLATE LEFT | | - |
| 14 | A431720 | 1 | SUPPORT PLATE RIGHT | | - |
| 15 | A431776 | 1 | STEP, AVANT 800 | | - |
| 16 | 73322 | 7 | HEXAGONAL SCREW M12*40 DIN 931 | | - |
| 17 | 74532 | 18 | WASHER NORDLOCK NL12 | | - |
| 18 | 72324 | 9 | HEXAGONAL NUT M 12 NYLOC DIN 985 | | - |
| 19 | 74533 | 6 | WASHER, PAIR, M16 NL16 NORDLOCK | | - |
| 20 | 72192 | 6 | HEXAGONAL SCREW M16*45 DIN 933 | | - |
| 21 | 72330 | 6 | HEXAGONAL NUT M16 NYLOC DIN 985 | | - |
| 22 | 72320 | 1 | HEXAGONAL NUT M8 NYLOC DIN 985 | | - |
| 23 | 73222 | 1 | HEXAGONAL SCREW M8*40 DIN 933 | | - |
| 24 | 63944 | 1 | WASHER, PAIR, NORD-LOCK M8 | | - |
| 25 | 64188 | 1 | FINGER SCREW R5026M8S | | - |
| 26 | A442639 | 1 | CABLE TIE 7,6*390 M6 BLACK | | - |
| 27 | 74781 | 1 | HEXAGONAL NUT M6 WITH FLANGE | | - |
| 28 | 74768 | 1 | WASHER CONICAL M6 | | - |
| 29 | 74767 | 1 | RAISED COUNTERSUNK HEAD SCREW M6*20 | | - |
| 30 | A449718 | 1 | SEAT FULL SUSPENSION VINYL HEATER MSG65 | | - |
| 31 | 72171 | 2 | HEXAGONAL SCREW M12*45 DIN 931 | | - |
| 32 | A433798 | 1 | TEMPERATURE SENSOR TF-W | | - |
| 33 | 74537 | 1 | HEXAGONAL NUT M12*1,5 DIN 439 ZN | | - |
| 34 | A454062 | 1 | ARMREST RIGHT 400-700 SERIES ROPS | | - |
| 35 | A451202 | 1 | WIRE HARNESS SEAT GRAMMER | | - |

A426681 ROPS+FOPS CANOPY 800 SERIES, ASSEMBLY



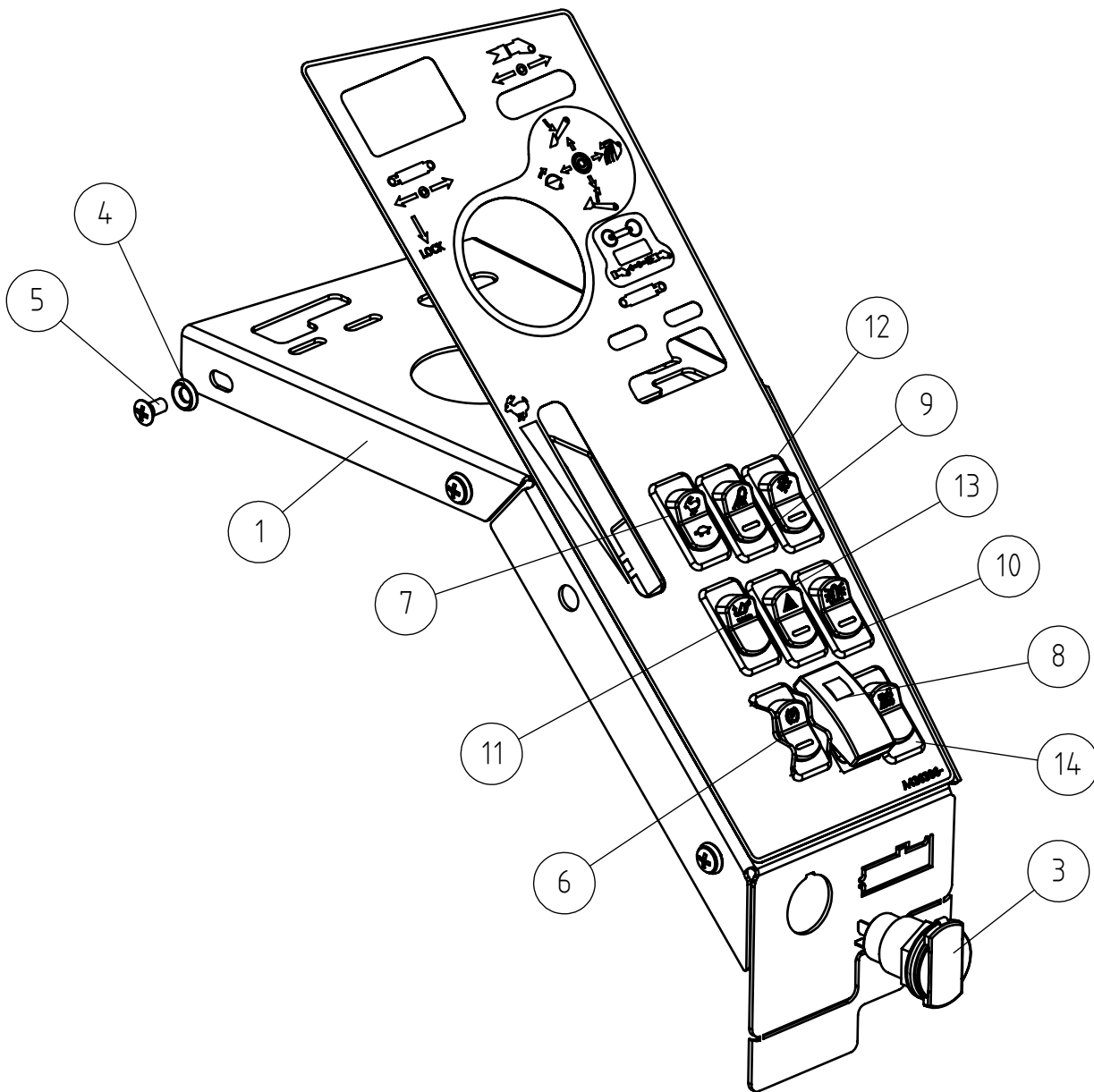
23.1.2024

A426681 ROPS+FOPS CANOPY 800 SERIES, ASSEMBLY

| REF | PART NO | QTY | DESCRIPTION | NOTES | PAGE |
|-----|---------|-----|--|-------|------|
| 1 | A48905 | 1 | FOPS CANOPY PLATE 500/600/700 | | - |
| 2 | A48909 | 1 | CANOPY, SHORT, POLYCARBONATE (WITH FOPS) | | - |
| 3 | 74532 | 16 | WASHER NORDLOCK NL12 | | - |
| 4 | 73322 | 8 | HEXAGONAL SCREW M12*40 DIN 931 | | - |
| 5 | 72324 | 8 | HEXAGONAL NUT M 12 NYLOC DIN 985 | | - |
| 6 | 71681 | 10 | WASHER M6 DIN 440 | | - |
| 7 | 72119 | 5 | HEXAGONAL SCREW M6*25 DIN 933 ZN | | - |
| 8 | 72318 | 5 | HEXAGONAL NUT M 6 DIN 985 NYLOC | | - |
| 9 | 71685 | 12 | WASHER M8 R9 DIN 440 ZN | | - |
| 10 | 72320 | 6 | HEXAGONAL NUT M8 NYLOC DIN 985 | | - |
| 11 | 72132 | 6 | HEXAGONAL SCREW M 8*25 DIN 933 ZN | | - |
| 12 | A426668 | 1 | ROPS FRAME 800 SERIES | | - |

23.1.2024

A439987 INSTRUMENT PANEL WITH DECAL 700 / 800



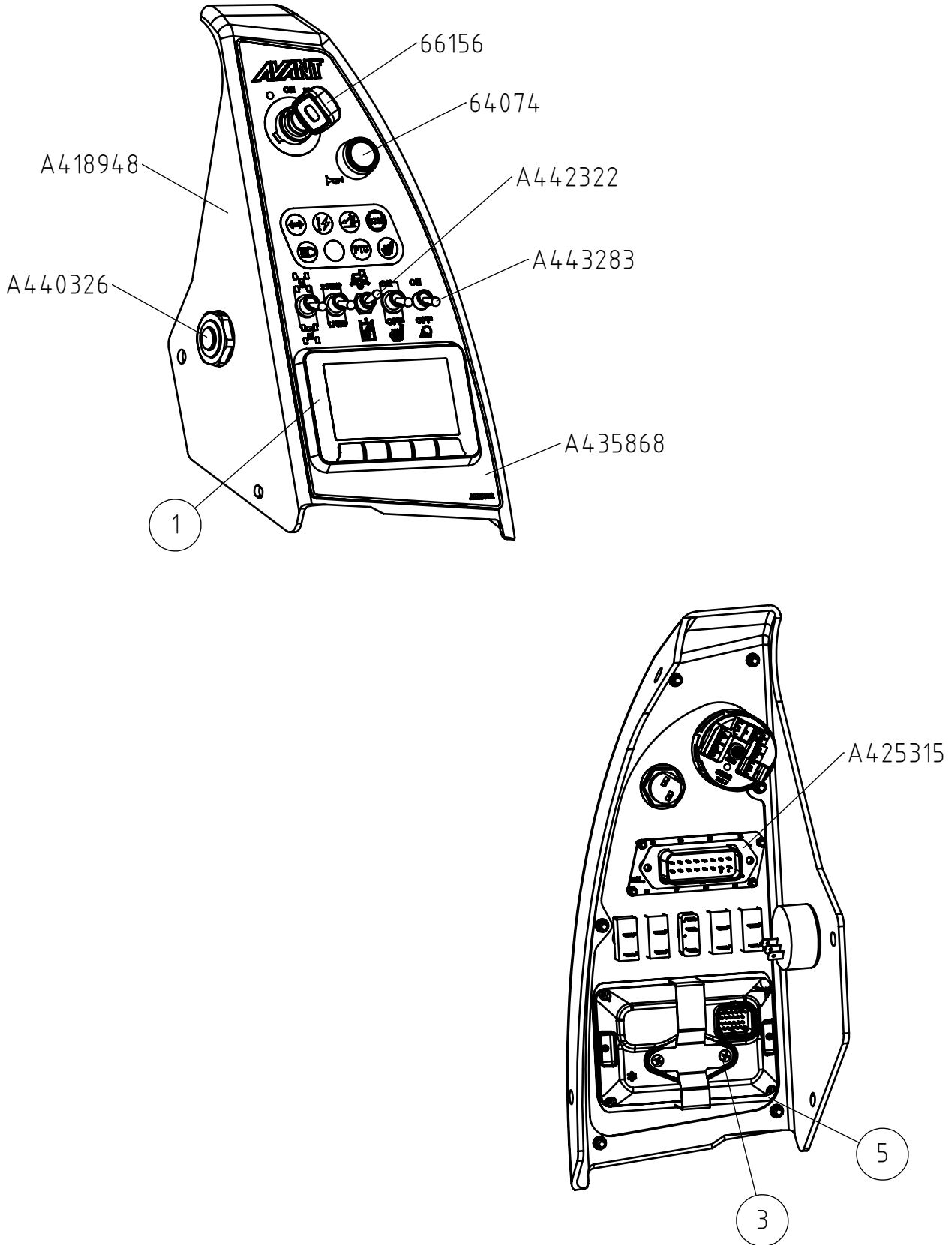
23.1.2024

A439987 INSTRUMENT PANEL WITH DECAL 700 / 800

| REF | PART NO | QTY | DESCRIPTION | NOTES | PAGE |
|-----|---------|-----|--|-------|------|
| 1 | A431454 | 1 | PANEL 800 SERIES | | - |
| 2 | A436386 | 1 | DECAL INSTRUMENT PANEL 800 SERIES | | - |
| 3 | A436424 | 1 | OUTLET 12V/20A WITH COVER | | - |
| 4 | 74768 | 3 | WASHER CONICAL M6 | | - |
| 5 | 75162 | 3 | CROSS HEAD COUNTERS SCREW M6*12 | | - |
| 6 | A442040 | 1 | SWITCH PARKING BRAKE | | - |
| 7 | 65246 | 1 | SWITCH, DRIVE SPEED AREA (TURTLE-RABBIT) | | - |
| 8 | A430996 | 1 | CONTROL SWITCH, HYDR ATTACHMENT COUPLING | | - |
| 9 | 65066 | 1 | SWITCH, WORK LIGHT | | - |
| 10 | 65065 | 1 | SWITCH, BEACON | | - |
| 11 | A437190 | 1 | SWITCH SMOOTH DRIVE | | - |
| 12 | 65063 | 1 | SWITCH, WIPER/WASHER | | - |
| 13 | 65064 | 1 | SWITCH, WARNING BLINKER | | - |
| 14 | A437343 | 1 | ROCKER SWITCH OPTICONTROL | | - |

23.1.2024

A435860 DASHBOARD ASSEMBLY 700-800 ROPS

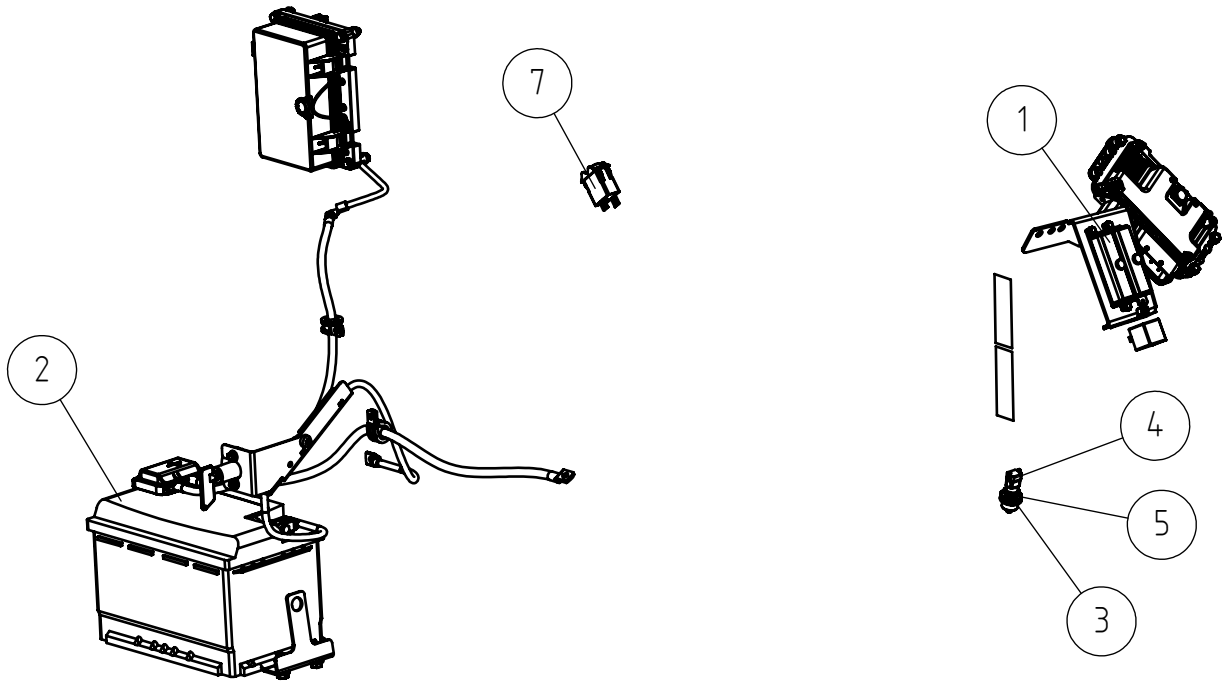


23.1.2024

A435860 DASHBOARD ASSEMBLY 700-800 ROPS

| REF | PART NO | QTY | DESCRIPTION | NOTES | PAGE |
|-----|---------|-----|---------------------------------------|-------|------|
| 1 | A428466 | 1 | DISPLAY 4,3" COLOUR LED | | - |
| 2 | A456497 | 1 | DASHBOARD WITHOUT DISPLAY 523...8601 | | - |
| 2.1 | A436098 | 1 | WIRE HARNESS DASHBOARD | | - |
| 2.2 | A425315 | 1 | INDICATOR LIGHTS DASHBOARD | | - |
| 2.3 | A440326 | 1 | ALARM BEEPER D28,5/D45 -H47 | | - |
| 2.4 | A418948 | 1 | HOUSING PANEL ABS DASHBOARD | | - |
| 2.5 | 66156 | 1 | IGNITION SWITCH 12V/30A/60A IP65 COBO | | - |
| 2.6 | A442322 | 1 | ROCKER SWITCH ON-OFF-MOM 3-POLE | | - |
| 2.7 | A443283 | 4 | TOGGLE SWITCH ON-OFF 2-POLE | | - |
| 2.8 | 64074 | 1 | PUSH BUTTON F22,5 SIGNAL HORN | | - |
| 2.9 | A435868 | 1 | COVER DASHBOARD 700-800 STAGE 5 | | - |
| 3 | A431502 | 2 | PAN HEAD MACHINE SCREW M4*8 | | - |
| 4 | A423587 | 1 | MOUNTING PLATE, DISPLAY | | - |
| 5 | A436780 | 1 | GROUNDING FRAME CANVIEW4 GAUGE PANEL | | - |

A462178 ELECTRIC COMPONENTS 850 SER3



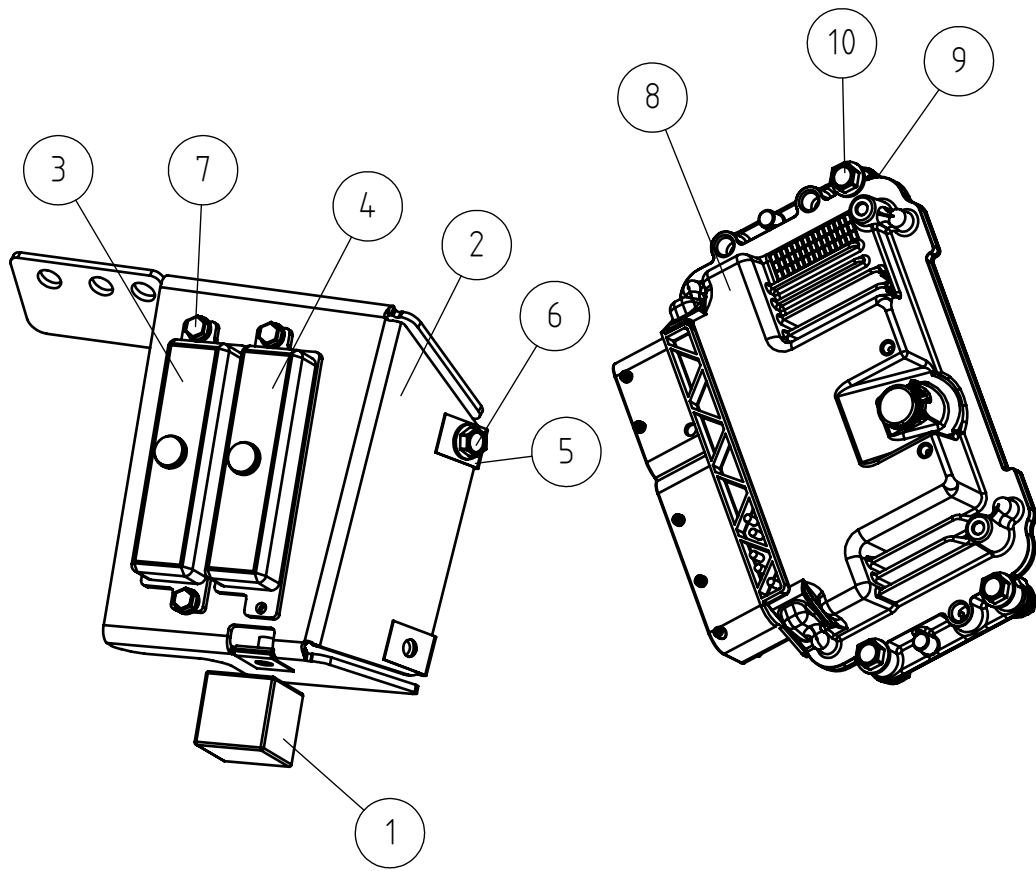
23.1.2024

A462178 ELECTRIC COMPONENTS 850 SER3

| REF | PART NO | QTY | DESCRIPTION | NOTES | PAGE |
|-----|---------|-----|--------------------------------------|-------|------|
| 1 | A462182 | 1 | | | 94 |
| 2 | A460853 | 1 | POWER SUPPLY ASSEMBLY 735-850 KUBOTA | | 96 |
| 3 | 73047 | 1 | USIT SEAL RING R/12" | | - |
| 4 | A433798 | 1 | TEMPERATURE SENSOR TF-W | | - |
| 5 | A438517 | 1 | FITTING G1/2" => M12*1,5 | | - |
| 6 | A455777 | 1 | WIRE HARNESS MAIN 528-7551, 850 | | - |
| 7 | A442040 | 1 | SWITCH PARKING BRAKE | | - |

23.1.2024

A462182



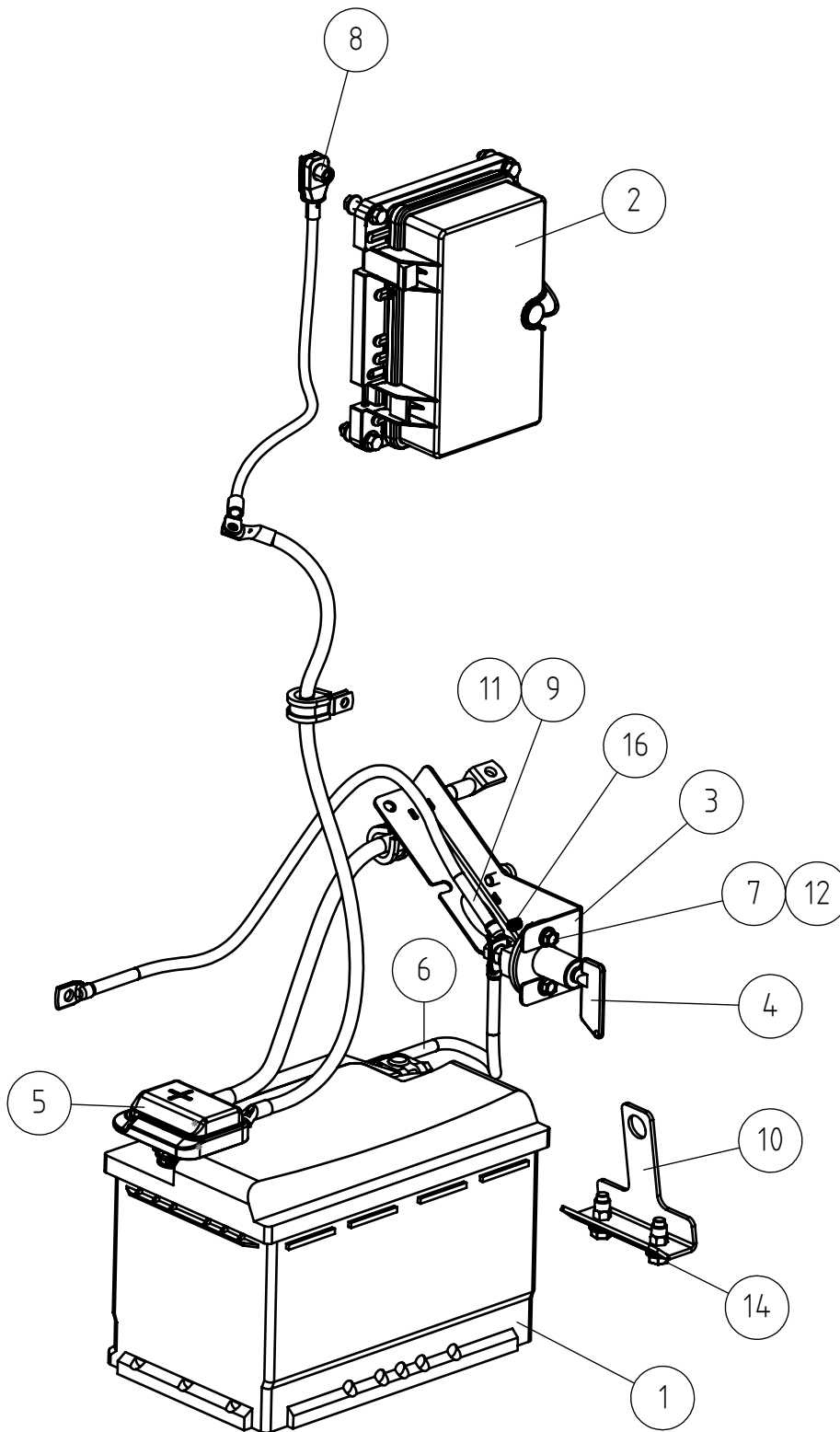
23.1.2024

A462182

| REF | PART NO | QTY | DESCRIPTION | NOTES | PAGE |
|-----|---------|-----|--|-------|------|
| 1 | A457011 | 1 | RELAY 25A | | - |
| 2 | A453404 | 1 | MOUNTING BRACKET FUSE BOXES & RELAYS 800 | | - |
| 3 | A442064 | 1 | FUSE BOX 1 ASSEMBLY 700/800 SERIES | | - |
| 4 | A442243 | 1 | FUSE BOX 2 ASSEMBLY 700/800 SERIES | | - |
| 5 | 74807 | 3 | SPEED NUT M6, FOR 0.5-4.0 MM PLATE | | - |
| 6 | A431967 | 1 | HEXAGONAL SERRATED SCREW M6*16 W. FLANG | | - |
| 7 | A451996 | 4 | SELF-DRILLING SCREW 4,8*13 DIN 7504-K | | - |
| 8 | A433527 | 1 | ELECTRONIC CONTROL UNIT ECU | | - |
| 9 | A452923 | 3 | HEXAGONAL NUT M6 DIN 6923 | | - |
| 10 | A462183 | 3 | | | - |
| 11 | A438877 | 1 | DECAL FUSE BOX 1 700/800 SERIES | | - |
| 12 | A438879 | 1 | DECAL FUSE BOX 2 700/800 SERIES | | - |

23.1.2024

A460853 POWER SUPPLY ASSEMBLY 735-850 KUBOTA



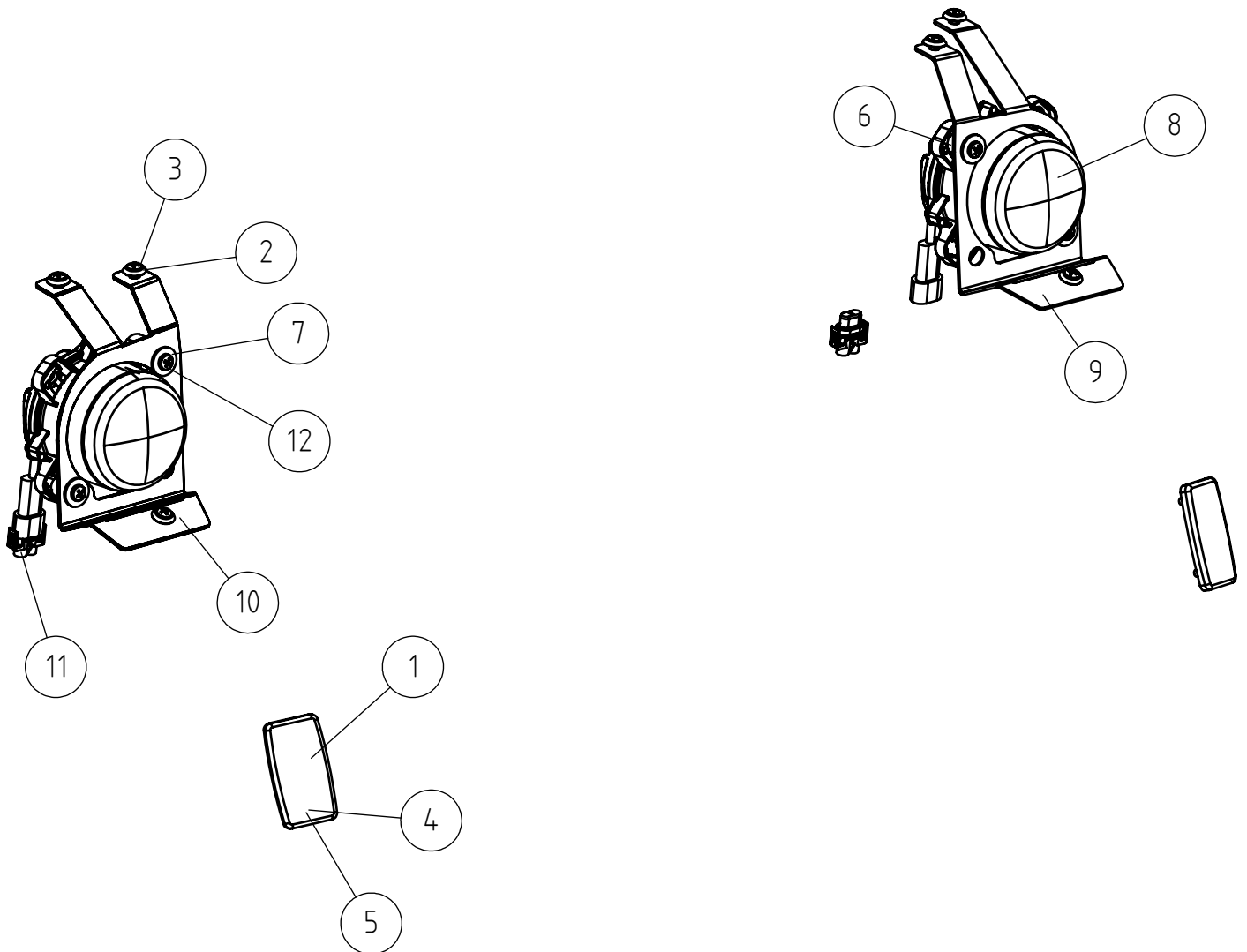
23.1.2024

A460853 POWER SUPPLY ASSEMBLY 735-850 KUBOTA

| REF | PART NO | QTY | DESCRIPTION | NOTES | PAGE |
|-----|---------|-----|--|-------|------|
| 1 | A438875 | 1 | BATTERY 12V 77AH, 760A | | - |
| 2 | A446183 | 1 | POWER DISTRIBUTION UNIT MEDIUM+ KUBOTA | | - |
| 3 | A460618 | 1 | MOUNTING BRACKET BATTERY DISCONNECT | | - |
| 4 | 64141 | 1 | BATTERY DISCONNECT SWITCH 28V/100A | | - |
| 4.1 | 64394 | 1 | KEY, BATTERY DISCONNECT SWITCH C-180216 | | - |
| 5 | A456490 | 1 | BATTERY TERMINAL WITH 2 WIRES + FUSE | | - |
| 6 | 65071 | 1 | CABLE, BATTERY, BLACK, L=280 | | - |
| 7 | A431349 | 2 | HEXAGONAL SERRATED SCREW M6*20 W. FLANG | | - |
| 8 | A457080 | 1 | CABLE L=400 25MM2 RED | | - |
| 9 | A420907 | 1 | BATTERY CABLE, BLACK, L=650 | | - |
| 10 | A437653 | 1 | BRACKET, BATTERY 700-800 SER | | - |
| 11 | A442270 | 2 | THREAD-FORMING SCREW M8*16 DIN 7500C | | - |
| 12 | A452923 | 6 | HEXAGONAL NUT M6 DIN 6923 | | - |
| 13 | A453043 | 4 | HEXAGONAL SCREW M6X30 DIN 6921 | | - |
| 14 | A429202 | 2 | HEXAGONAL SERRATED SCREW M8*25 WITH FLAN | | - |
| 15 | 74572 | 2 | PIPE CLAMP F19 MM | | - |
| 16 | A461103 | 1 | CABLE TIE 4,6*165 BLACK | | - |

23.1.2024

A451775 WORK LIGHT LED ON FRONT COVER 1000LM



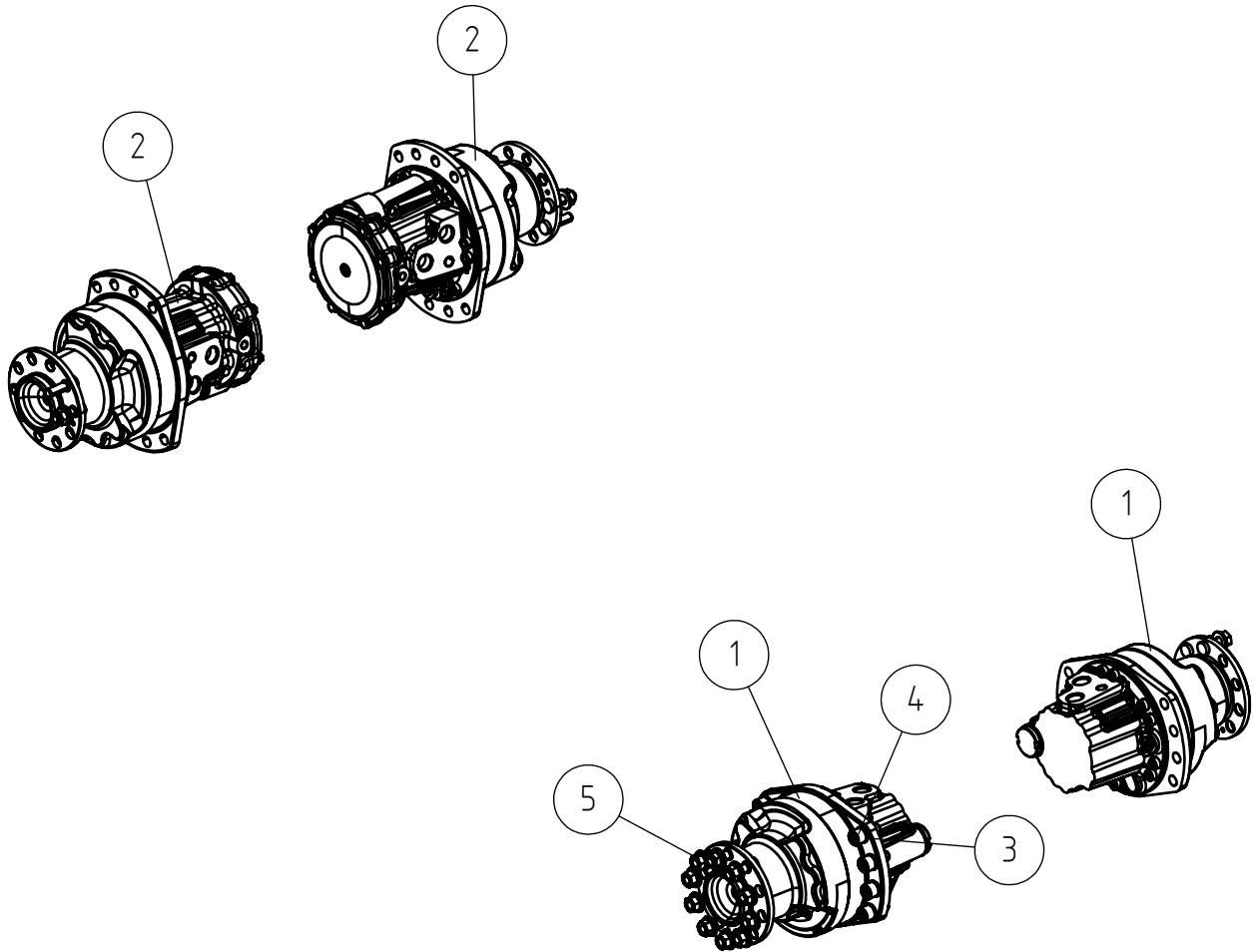
23.1.2024

A451775 WORK LIGHT LED ON FRONT COVER 1000LM

| REF | PART NO | QTY | DESCRIPTION | NOTES | PAGE |
|-----|---------|-----|---------------------------------------|-------|------|
| 1 | A431705 | 2 | REFLECTOR WHITE 80,6X44,6X9MM | | - |
| 2 | A422221 | 6 | WASHER M6 GREEN PLASTIC, ANALOG FOR | | - |
| 3 | 74785 | 6 | COUNTERS. CROSS HEAD SCREW M6*16 | | - |
| 4 | 72315 | 4 | HEXAGONAL NUT M5 NYLOC DIN 985 | | - |
| 5 | 74448 | 4 | WASHER M5 A5,3 DIN 125 ZN | | - |
| 6 | A450763 | 4 | BUSHING FRONT LIGHT | | - |
| 7 | 71681 | 4 | WASHER M6 DIN 440 | | - |
| 8 | A441777 | 2 | WORK LIGHT LED 1000 LUMEN 12V | | - |
| 9 | A452116 | 2 | MOUNTING BRACKET LEFT FRONT LIGHT LED | | - |
| 10 | A452117 | 2 | MOUNTING BRACKET LEFT FRONT RIGHT LED | | - |
| 11 | A436960 | 1 | WIRE HARNESS WORK LIGHTS FRONT | | - |
| 12 | A461980 | 4 | SCREW 6X45 | | - |

23.1.2024

A462253



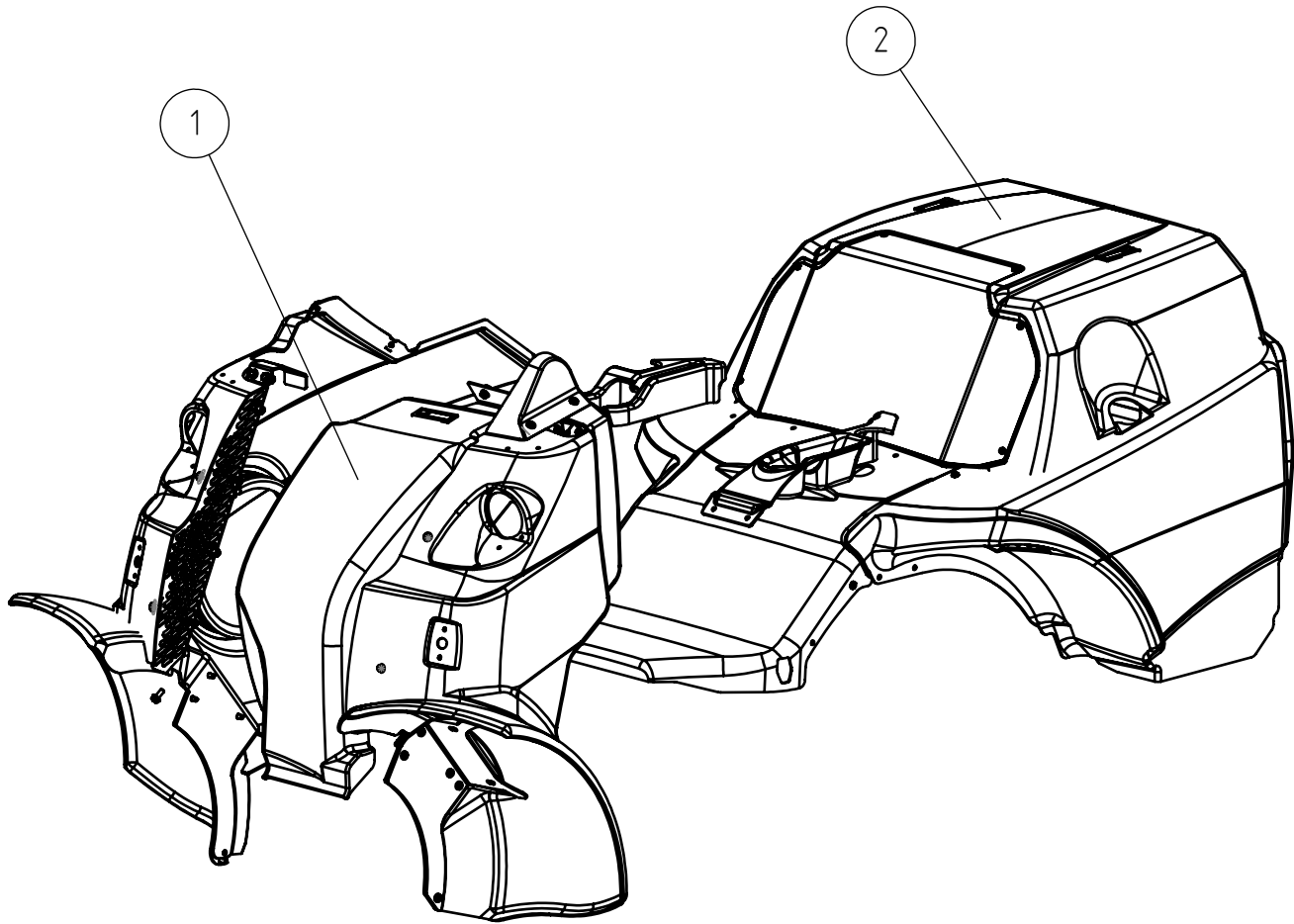
23.1.2024

A462253

| REF | PART NO | QTY | DESCRIPTION | NOTES | PAGE |
|-----|---------|-----|---|-------|------|
| 1 | A428462 | 2 | HYDRAULIC MOTOR MSE05 688/344 CM3 FRONT | | - |
| 1.1 | A449480 | 10 | WHEEL BOLT M14X1.5 L=50 10.9 | | - |
| 2 | A428463 | 2 | HYDRAULIC MOTOR MSE05 688/344 CM3 REAR | | - |
| 2.1 | A449480 | 10 | WHEEL BOLT M14X1.5 L=50 10.9 | | - |
| 3 | 74533 | 8 | WASHER, PAIR, M16 NL16 NORDLOCK | | - |
| 4 | A442920 | 8 | HEXAGONAL HEAD SCREW M16*35 DIN 912 8.8 | | - |
| 5 | 74866 | 10 | WHEEL NUT M14*1.5 AV22 POCLAIN | | - |

23.1.2024

A462290



23.1.2024

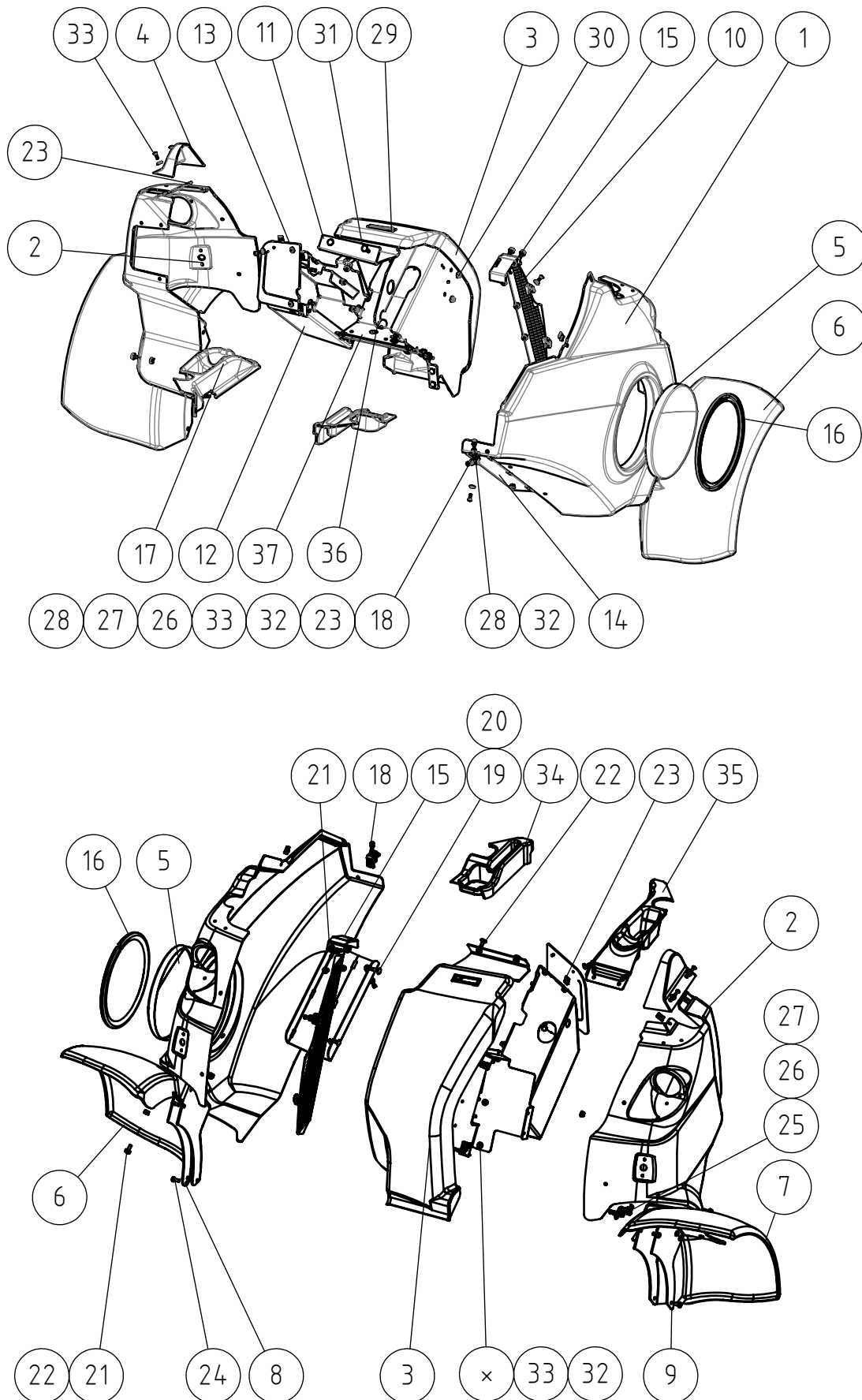
A462290

| REF | PART NO | QTY | DESCRIPTION | NOTES | PAGE |
|-------|---------|-----|--|-------------------------------|------|
| 1* | A429275 | 1 | COVER PLATES, KIT, FRONT FRAME, 800 ROPS | ABS | 104 |
| 1** | A438618 | 1 | COVER PLATES HD KIT FRONT FRAME 800 ROPS | PC/HD, optional extra A429275 | 106 |
| 2* | A442266 | 1 | COVER PLATES REAR FRAME ABS 700/800 | ABS | 108 |
| 2*** | A445553 | 1 | COVER PLATES REAR FRAME HD POLYCARBONATE | PC/HD, optional extra | 110 |
| 2**** | A437518 | 1 | MUDGUARDS REAR 700/800 STAGE 5 | Mud guards | 112 |

23.1.2024

ABS

A429275 COVER PLATES, KIT, FRONT FRAME, 800 ROPS



23.1.2024

ABS

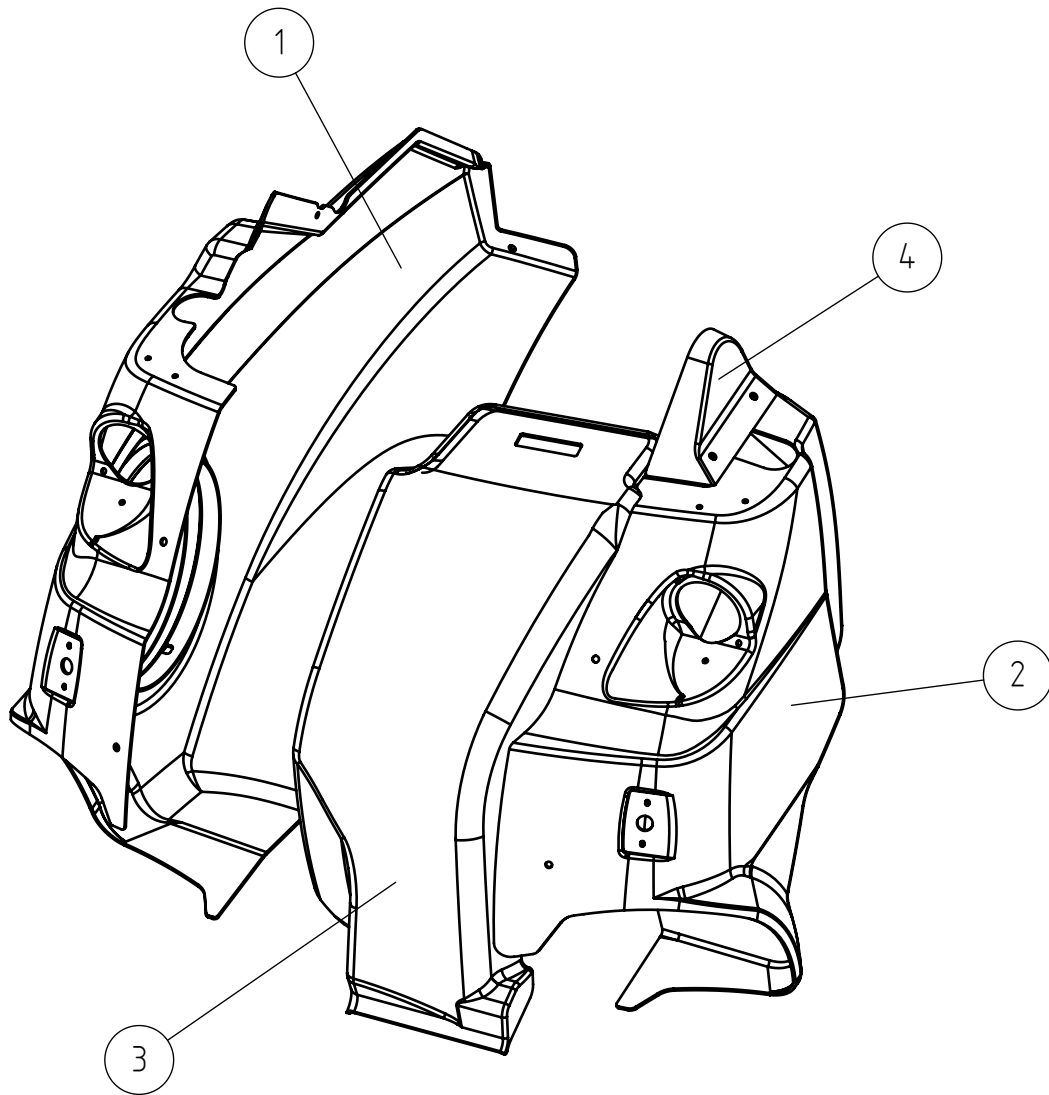
A429275 COVER PLATES, KIT, FRONT FRAME, 800 ROPS

| REF | PART NO | QTY | DESCRIPTION | NOTES | PAGE |
|-----|---------|-----|--|-------|------|
| 1 | A431139 | 1 | COVER PLATE FRONT RIGHT, ABS, 800 SERIES | | - |
| 2 | A431140 | 1 | COVER PLATE, FRONT LEFT, ABS 800 SERIES | | - |
| 3 | A431141 | 1 | COVER PLATE, CENTER FRONT, ABS, 800 SER | | - |
| 4 | A431312 | 1 | PROTECTIVE PLATE ABS | | - |
| 5 | A431524 | 1 | MESH HYDRAULIC OIL COOLER | | - |
| 6 | A420821 | 1 | MUDGUARD, FRONT, RIGHT 700 SER 400/50-15 | | - |
| 7 | A420822 | 1 | MUDGUARD, FRONT, LEFT 700 SER 400/50-15 | | - |
| 8 | A420823 | 1 | BRACKET RIGHT MUDGUARD | | - |
| 9 | A420824 | 1 | BRACKET LEFT MUDGUARD | | - |
| 10 | A431580 | 1 | GRILLE FRONT RIGHT | | - |
| 11 | A431523 | 1 | BRACKET, UPPER, COVER PLATE CENTRE | | - |
| 12 | A431659 | 1 | GLOVE BOX FRONT LEFT 800 SERIES | | - |
| 13 | A431675 | 1 | RUBBER PLATE GLOVE BOX FRONT LEFT | | - |
| 14 | A457468 | 1 | MOUNTING PLATE ASSEMBLY FRONT CHASSIS | | - |
| 15 | A431958 | 1 | BRACKET, HOSES, FRONT CHASSIS | | - |
| 16 | A438435 | 1 | EDGE BANDING, FAN 800 SERIES | | - |
| 17 | A47676 | 1 | ANGLE BRACKET 95° | | - |
| 18 | A410861 | 1 | ANGLE BRACKET 100 DEGREES | | - |
| 19 | 74857 | 2 | CARRIAGE BOLT M8*25 DIN603 | | - |
| 20 | 72320 | 2 | HEXAGONAL NUT M8 NYLOC DIN 985 | | - |
| 21 | A429201 | 14 | HEXAGONAL SERRATED SCREW M8*20 WITH | | - |
| 22 | 74782 | 26 | HEXAGONAL NUT M8 WITH FLANGE | | - |
| 23 | 74807 | 13 | SPEED NUT M6, FOR 0.5-4.0 MM PLATE | | - |
| 24 | A435496 | 11 | THREAD-FORMING SCREW M8*20 DIN 7500C | | - |
| 25 | A431349 | 1 | HEXAGONAL SERRATED SCREW M6*20 W. FLANG | | - |
| 26 | 71680 | 2 | WASHER M6 DIN 125 | | - |
| 27 | 72318 | 2 | HEXAGONAL NUT M 6 DIN 985 NYLOC | | - |
| 28 | A431967 | 1 | HEXAGONAL SERRATED SCREW M6*16 W. FLANG | | - |
| 29 | 65085 | 1 | LATCH | | - |
| 30 | A429200 | 2 | HEXAGONAL SERRATED SCREW M8*16 WITH | | - |
| 31 | 74836 | 9 | CARRIAGE BOLT M8*20 | | - |
| 32 | A422221 | 13 | WASHER M6 GREEN PLASTIC, ANALOG FOR | | - |
| 33 | 74767 | 13 | RAISED COUNTERSUNK HEAD SCREW M6*20 | | - |
| 34 | A431510 | 1 | CUP HOLDER, RIGHT | | - |
| 35 | A434360 | 1 | CUP HOLDER, LEFT | | - |
| 36 | A446040 | 1 | PLATE, CENTER, FRONT CHASSIS 800 SERIES | | - |
| 37 | A446041 | 1 | MOUNTING BRACKET ORBITROL | | - |
| 38 | A450447 | 1 | BRACKET, LEFT, COVER PLATES FRONT | | - |

23.1.2024

PC/HD, optional extra A429275

A438618 COVER PLATES HD KIT FRONT FRAME 800 ROPS



23.1.2024

PC/HD, optional extra A429275

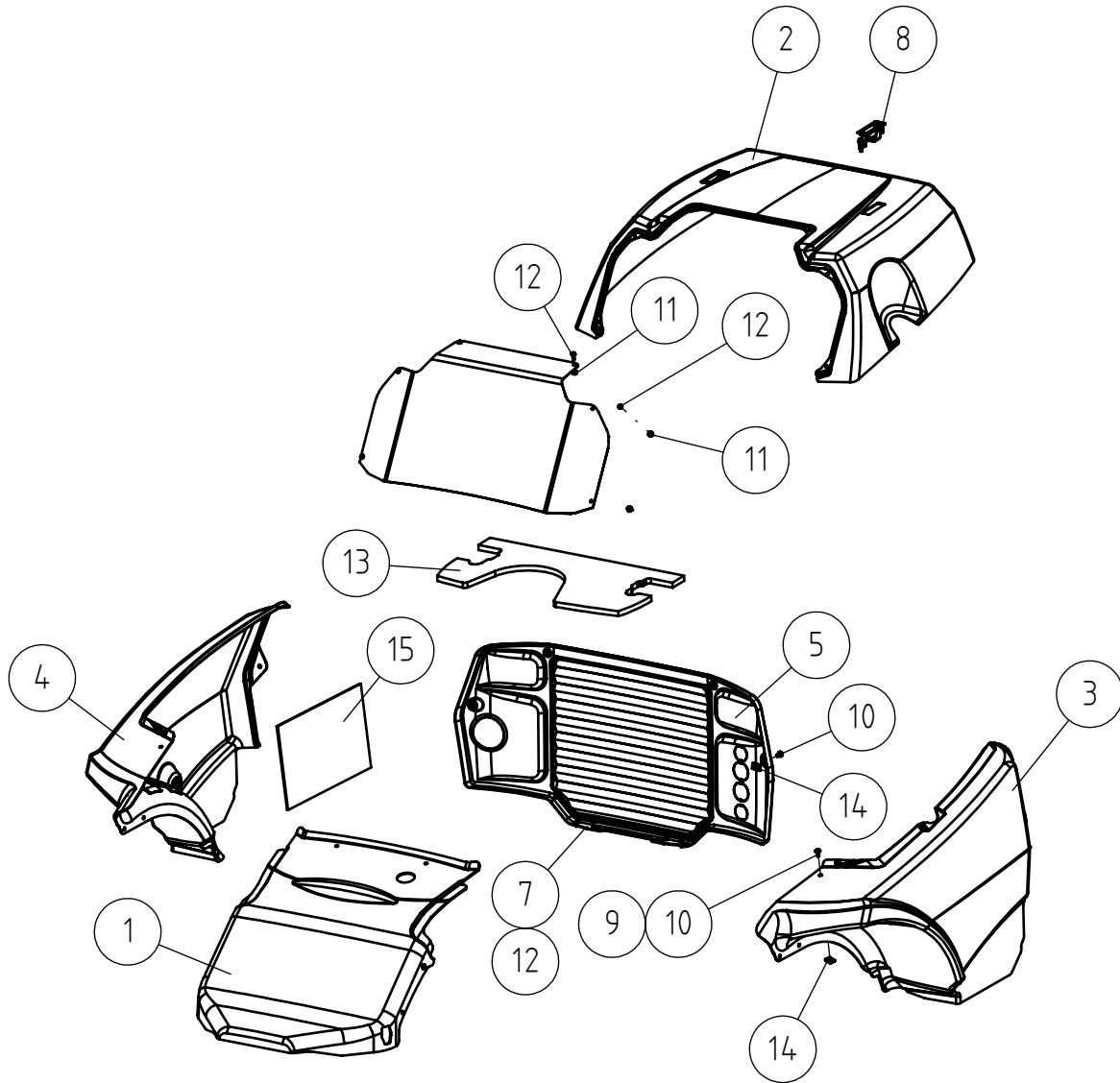
A438618 COVER PLATES HD KIT FRONT FRAME 800 ROPS

| REF | PART NO | QTY | DESCRIPTION | NOTES | PAGE |
|-----|---------|-----|---------------------------------------|-------|------|
| 1 | A438566 | 1 | COVER PLATE POLYCARB FRONT RIGHT 800 | | - |
| 2 | A438564 | 1 | COVER PLATE POLYCARB FRONT LEFT 800 | | - |
| 3 | A438565 | 1 | COVER PLATE POLYCARB FRONT CENTER 800 | | - |
| 4 | A431312 | 1 | PROTECTIVE PLATE ABS | | - |

23.1.2024

ABS

A442266 COVER PLATES REAR FRAME ABS 700/800



23.1.2024

ABS

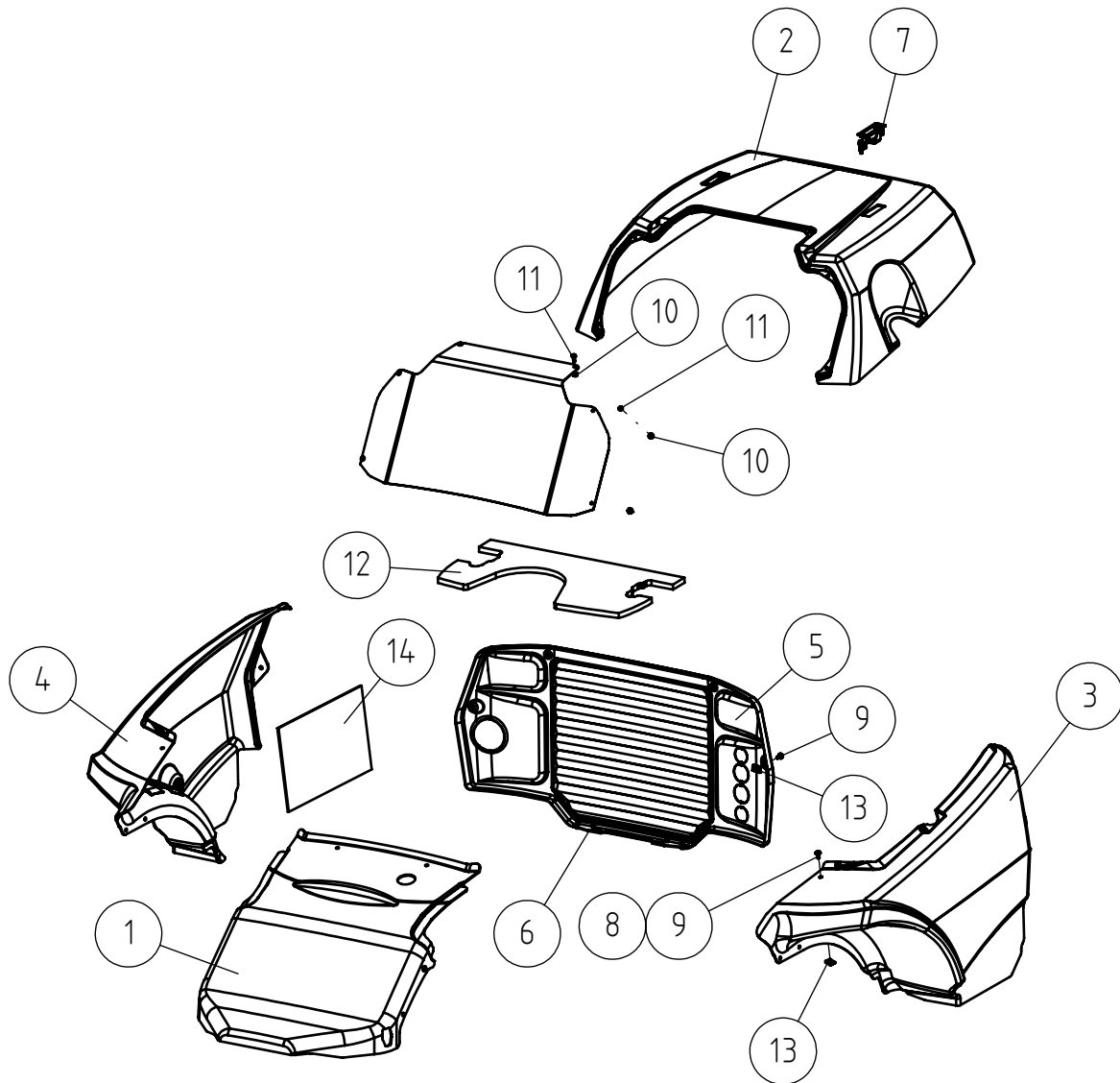
A442266 COVER PLATES REAR FRAME ABS 700/800

| REF | PART NO | QTY | DESCRIPTION | NOTES | PAGE |
|-----|---------|-----|---|-------|------|
| 1 | A442264 | 1 | COVER PLATE REAR CENTER FRONT ABS | | - |
| 2 | A436436 | 1 | COVER PLATE ENGINE, ABS, 800 STAGE V | | - |
| 3 | A442294 | 1 | COVER PLATE REAR LEFT ABS, 800 STAGE 5 | | - |
| 4 | A442263 | 1 | COVER PLATE REAR RIGHT ABS, 800 STAGE 5 | | - |
| 5 | A437378 | 1 | REAR GRILLE WITHOUT LIGHTS 700/800 | | - |
| 6 | A437107 | 1 | FRONT MESH, COVER PLATE ENGINE 700/800 | | - |
| 7 | A446673 | 1 | MOUNTING PLATE REAR GRILLE 700/800 | | - |
| 8 | 65085 | 2 | LATCH | | - |
| 9 | 74768 | 3 | WASHER CONICAL M6 | | - |
| 10 | 74767 | 3 | RAISED COUNTERSUNK HEAD SCREW M6*20 | | - |
| 11 | 74781 | 6 | HEXAGONAL NUT M6 WITH FLANGE | | - |
| 12 | A437544 | 10 | THREAD-FORMING SCREW BLACK M6*16 DIN | | - |
| 13 | A418781 | 1 | SEALING PLATE | | - |
| 14 | 74807 | 3 | SPEED NUT M6, FOR 0.5-4.0 MM PLATE | | - |
| 15 | A439798 | 1 | HEAT SHIELD ON REAR COVER PLATE 700/800 | | - |

23.1.2024

PC/HD, optional extra

A44553 COVER PLATES REAR FRAME HD POLYCARBONATE



23.1.2024

PC/HD, optional extra

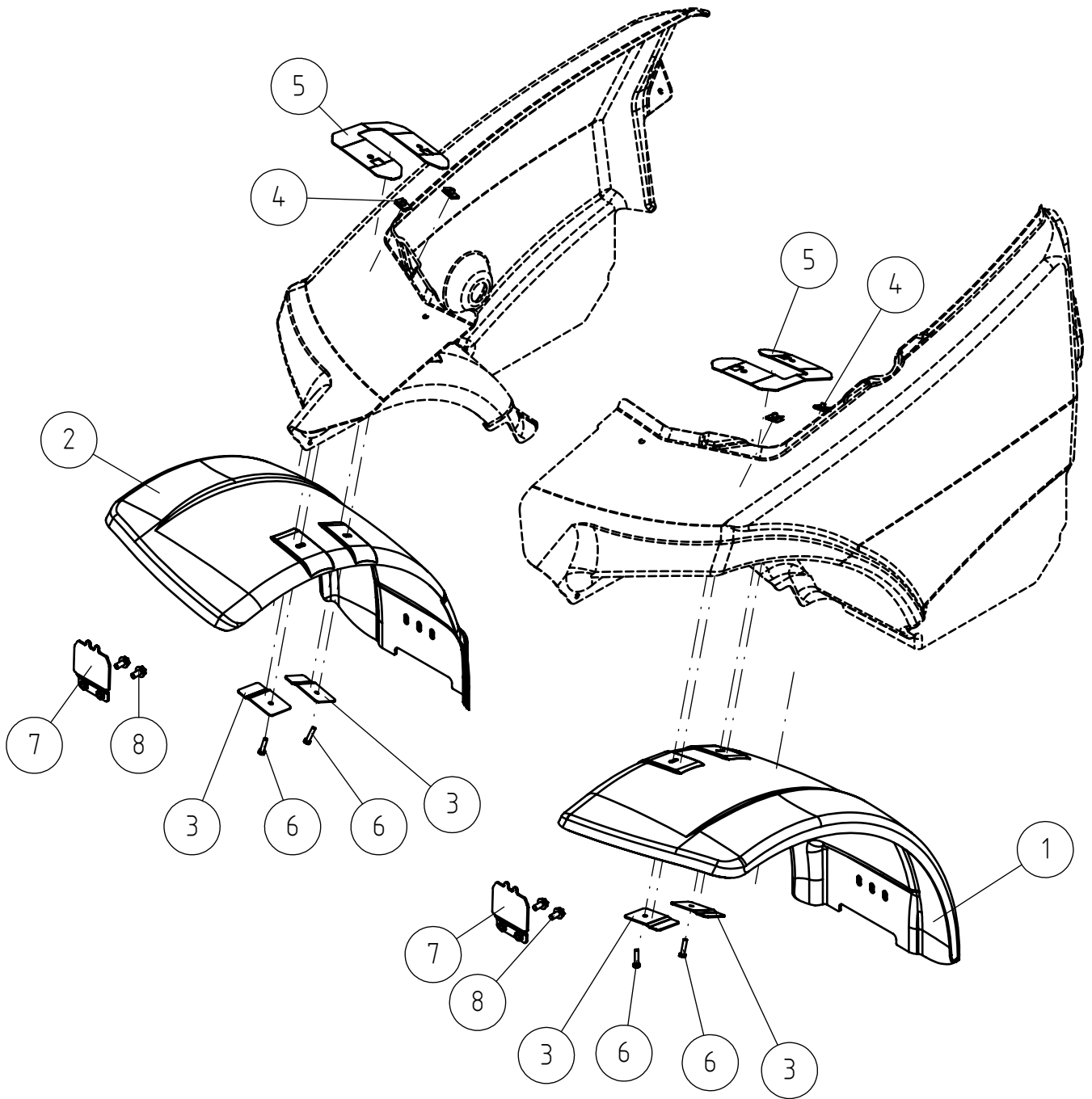
A445553 COVER PLATES REAR FRAME HD POLYCARBONATE

| REF | PART NO | QTY | DESCRIPTION | NOTES | PAGE |
|-----|---------|-----|---|-------|------|
| 1 | A442264 | 1 | COVER PLATE REAR CENTER FRONT ABS | | - |
| 2 | A438567 | 1 | COVER PLATE ENGINE, POLYCARBONATE, | | - |
| 3 | A444585 | 1 | COVER PLATE REAR LEFT POLYCARBONATE | | - |
| 4 | A444586 | 1 | COVER PLATE REAR RIGHT POLYCARBONATE | | - |
| 5 | A437378 | 1 | REAR GRILLE WITHOUT LIGHTS 700/800 | | - |
| 6 | A446673 | 1 | MOUNTING PLATE REAR GRILLE 700/800 | | - |
| 7 | 65085 | 2 | LATCH | | - |
| 8 | 74768 | 3 | WASHER CONICAL M6 | | - |
| 9 | 74767 | 3 | RAISED COUNTERSUNK HEAD SCREW M6*20 | | - |
| 10 | 74781 | 6 | HEXAGONAL NUT M6 WITH FLANGE | | - |
| 11 | A437544 | 10 | THREAD-FORMING SCREW BLACK M6*16 DIN | | - |
| 12 | A418781 | 1 | SEALING PLATE | | - |
| 13 | 74807 | 3 | SPEED NUT M6, FOR 0.5-4.0 MM PLATE | | - |
| 14 | A439798 | 1 | HEAT SHIELD ON REAR COVER PLATE 700/800 | | - |
| 15 | A437107 | 1 | FRONT MESH, COVER PLATE ENGINE 700/800 | | - |

23.1.2024

Mud guards

A437518 MUDGUARDS REAR 700/800 STAGE 5



23.1.2024

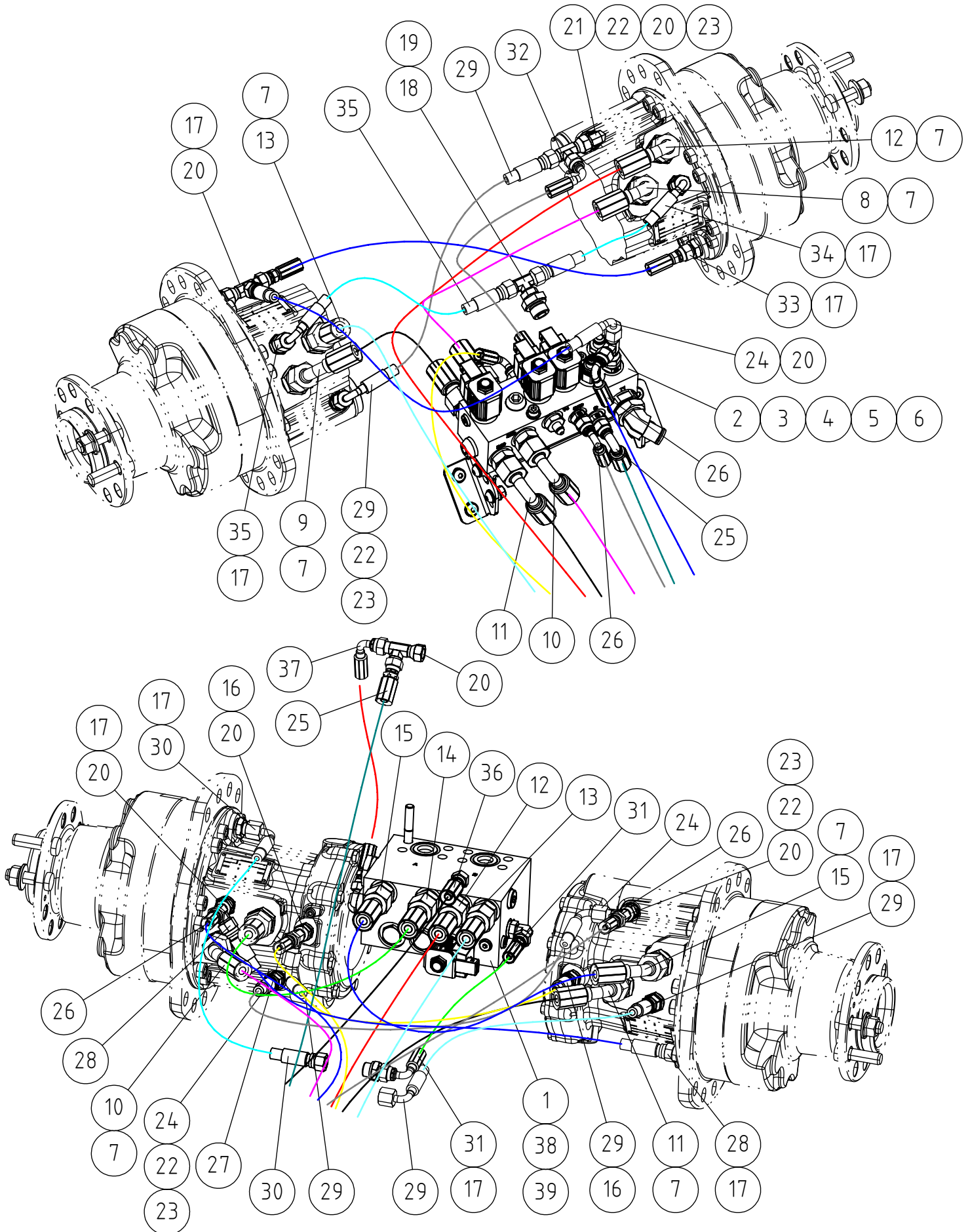
Mud guards

A437518 MUDGUARDS REAR 700/800 STAGE 5

| REF | PART NO | QTY | DESCRIPTION | NOTES | PAGE |
|-----|---------|-----|-------------------------------------|-------|------|
| 1 | A436419 | 1 | MUDGUARD REAR LEFT, 800 STAGE V | | - |
| 2 | A436597 | 1 | MUDGUARD REAR RIGHT, 800 STAGE V | | - |
| 3 | A437485 | 4 | MOUNTING PLATE REAR MUDGUARD | | - |
| 4 | 74807 | 4 | SPEED NUT M6, FOR 0.5-4.0 MM PLATE | | - |
| 5 | A438480 | 2 | MOUNTING BRACKET MUDGUARD | | - |
| 6 | 72119 | 4 | HEXAGONAL SCREW M6*25 DIN 933 ZN | | - |
| 7 | A446663 | 2 | MOUNTING BRACKET MUDGUARD REAR | | - |
| 8 | A429200 | 4 | HEXAGONAL SERRATED SCREW M8*16 WITH | | - |

23.1.2024

A451291 HYDR. HOSES DRIVE, WITH ANTI SLIP 860I

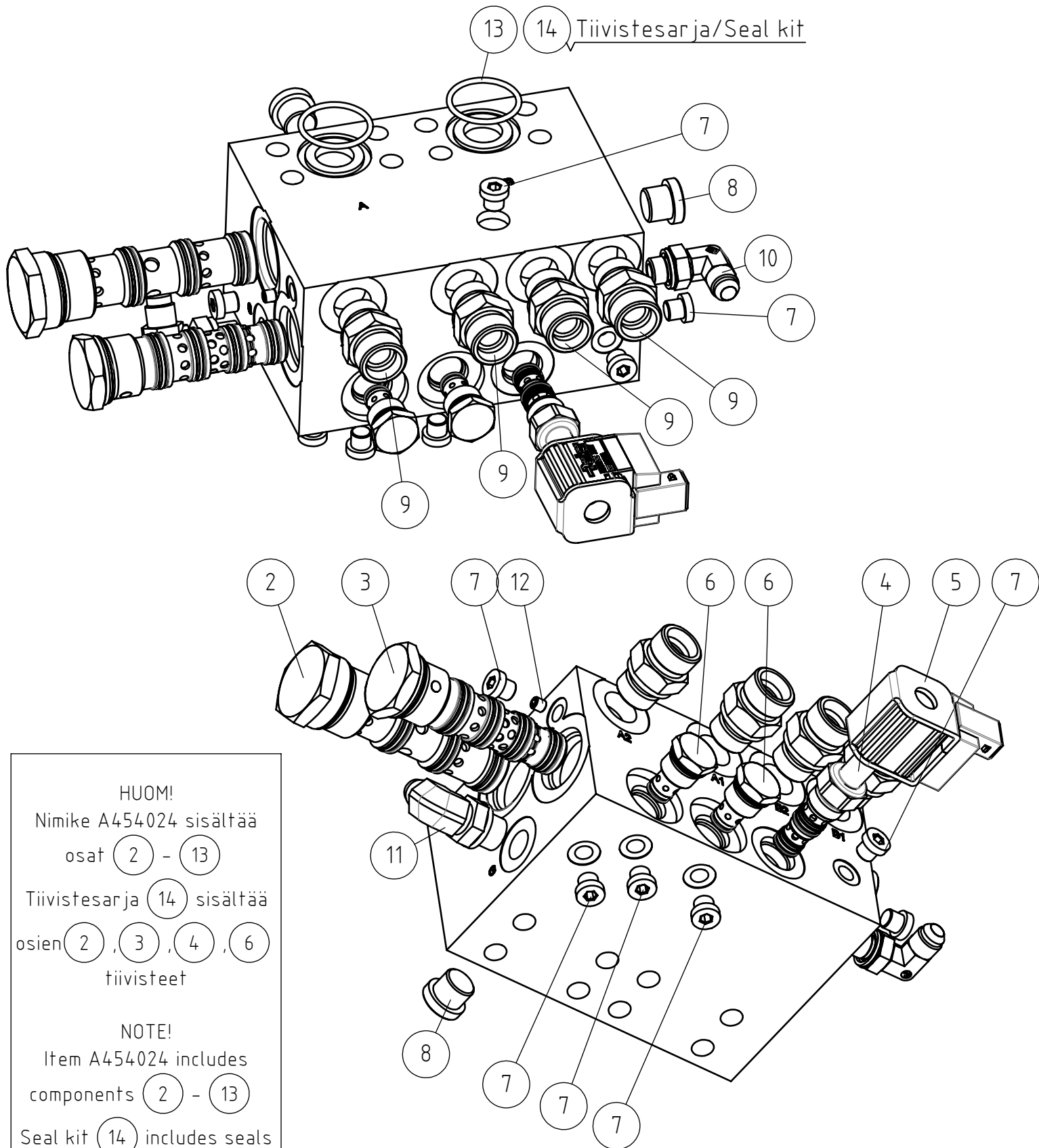


23.1.2024

A451291 HYDR. HOSES DRIVE, WITH ANTI SLIP 860I

| REF | PART NO | QTY | DESCRIPTION | NOTES | PAGE |
|-----|---------|-----|--|-------|------|
| 1 | A454024 | 1 | HYDRAULIC MANIFOLD ANTI SLIP VALVE | | 116 |
| 2 | A454022 | 1 | HYDRAULIC MANIFOLD 2-SPEED | | 118 |
| 3 | A421825 | 1 | BANJO BOLT, HYDR. MANIFOLD | | - |
| 4 | 75112 | 2 | O-RING NBR F 32,99*2,62 90SH | | - |
| 5 | 66361 | 1 | HOSE BARB 45° R3/4"UK - 20MM | | - |
| 6 | A37332 | 1 | MOUNTING PLATE HYDRAULIC MANIFOLD, ASSEM | | - |
| 7 | A449893 | 8 | BASIC FITTING G3/4" M24*1,5 | | - |
| 8 | A451295 | 1 | HYDR. HOSE L=630 | | - |
| 9 | A451297 | 1 | HYDR. HOSE L=330 | | - |
| 10 | A451298 | 1 | HYDR. HOSE L=1400 | | - |
| 11 | A451299 | 1 | HYDR. HOSE L=1370 | | - |
| 12 | A451300 | 1 | HYDR. HOSE L=2100 | | - |
| 13 | A451301 | 1 | HYDR. HOSE L=1700 | | - |
| 14 | A451302 | 1 | HYDR. HOSE L=620 | | - |
| 15 | A451303 | 1 | HYDR. HOSE L=800 | | - |
| 16 | 64059 | 2 | BASIC FITTING F40XS10-1/4 | | - |
| 17 | 64041 | 9 | BASIC FITTING F40XS10-3/8 /8 | | - |
| 18 | 64344 | 1 | T-FITTING BODY S40XS10-1/4 | | - |
| 19 | 64743 | 1 | REDUCER FITTING R1/2" - EDX 1/4" | | - |
| 20 | 64078 | 7 | L-FITTING BODY R6XS10 | | - |
| 21 | 64043 | 1 | ELBOW FITTING 90° C6XS10 | | - |
| 22 | A457030 | 4 | BASIC FITTING G1/4" | | - |
| 23 | 73757 | 4 | USIT COMPRESSION R1/4" | | - |
| 24 | A415120 | 2 | HYDR. HOSE L=750 | | - |
| 25 | A434553 | 1 | HYDR. HOSE L=1420 | | - |
| 26 | A436991 | 2 | HYDR. HOSE L=1350 | | - |
| 27 | A436993 | 1 | HYDR. HOSE L=1650 | | - |
| 28 | A44472 | 1 | HYDR. HOSE L=720 JIC10-JIC10 FLOATING BO | | - |
| 29 | A410096 | 3 | HYDR. HOSE L=450 | | - |
| 30 | A416511 | 1 | HYDR. HOSE L=650 | | - |
| 31 | A410017 | 1 | HYDR. HOSE L=400 | | - |
| 32 | A446655 | 1 | HYDR. HOSE L=750 | | - |
| 33 | A416492 | 1 | HYDR. HOSE L=600 | | - |
| 34 | A415115 | 1 | HYDR. HOSE L=240 | | - |
| 35 | A410165 | 1 | HYDR. HOSE L=300 | | - |
| 36 | A434555 | 1 | HYDR. HOSE L=2200 | | - |
| 37 | A410094 | 1 | HYDR. HOSE L=350 | | - |
| 38 | 75122 | 8 | HEXAGONAL HEAD SCREW M10*140 12.9 DIN912 | | - |
| 39 | A434424 | 8 | SAFETY WASHER M10 3/8" | | - |

A454024 HYDRAULIC MANIFOLD ANTI SLIP VALVE



HUOM!
 Nimike A454024 sisältää osat (2) - (13)
 Tiivistesarja (14) sisältää osien (2), (3), (4), (6) tiivisteet

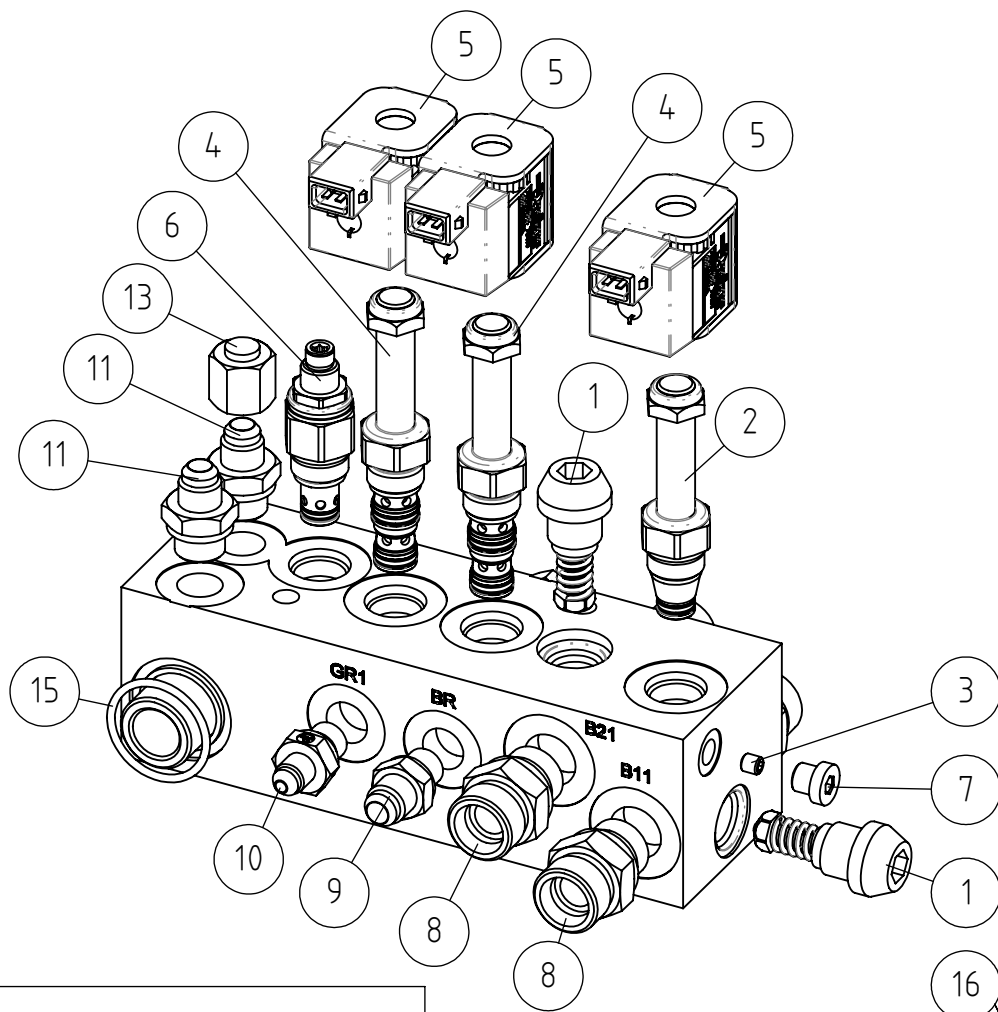
NOTE!
 Item A454024 includes components (2) - (13)
 Seal kit (14) includes seals for components (2), (3), (4), (6)

23.1.2024

A454024 HYDRAULIC MANIFOLD ANTI SLIP VALVE

| REF | PART NO | QTY | DESCRIPTION | NOTES | PAGE |
|-----|---------|-----|-------------------------------------|-------|------|
| 1 | A454024 | 1 | HYDRAULIC MANIFOLD ANTI SLIP VALVE | | 116 |
| 2 | A428742 | 1 | FLOW DIVIDER VALVE CARTRIDGE 420BAR | | - |
| 3 | A428740 | 1 | DIVERTER VALVE CARTRIDGE 420BAR | | - |
| 4 | A428584 | 1 | VALVE CARTRIDGE SPOOL VALVE 3/2 | | - |
| 5 | 66452 | 1 | SOLENOID 12VDC/19W | | - |
| 6 | A428743 | 2 | CHECK VALVE CARTRIDGE 420BAR | | - |
| 7 | 64407 | 7 | HEXAGONAL PLUG R 1/8" WITH PACKING | | - |
| 8 | 74411 | 2 | HEXAGONAL PLUG HF 3/8" HTUNG | | - |
| 9 | A449892 | 4 | BASIC FITTING G1/2" M24*1,5 | | - |
| 10 | 64087 | 1 | ELBOW FITTING 90 DEGR. /4# | | - |
| 11 | 64044 | 1 | ELBOW FITTING 90° C40XS10-3/8 /8 | | - |
| 12 | A428739 | 1 | FLOW RESTRICTOR M6/0,7MM | | - |
| 13 | 75113 | 2 | O-RING NBR F 31,42*2,62 90SH | | - |
| 14 | A428795 | 1 | SEAL KIT HYDRAULIC MANIFOLD A421617 | | - |

A454022 HYDRAULIC MANIFOLD 2-SPEED



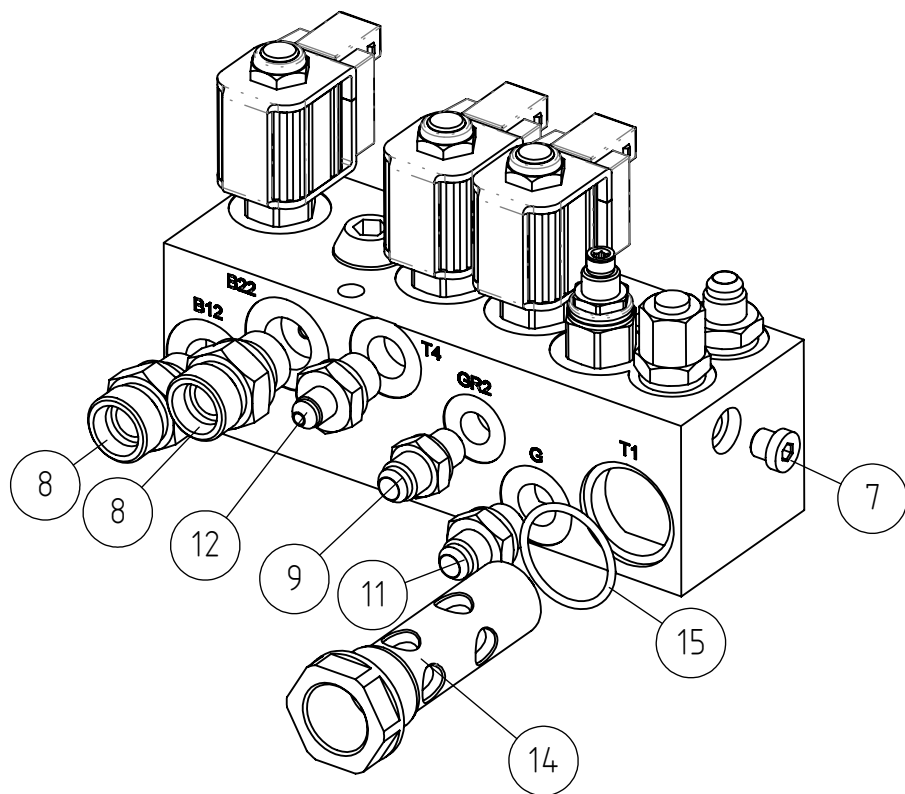
16 Tiivistesarja/Seal kit

HUOM!
 Nimike A454022 sisältää osat 1 - 13

Tiivistesarja 16 sisältää osien 1, 2, 4 ja 6 tiivisteet

NOTE!
 Item A454022 includes parts 1 - 13

Seal kit 16 includes seals for parts 1, 2, 4 and 6



23.1.2024

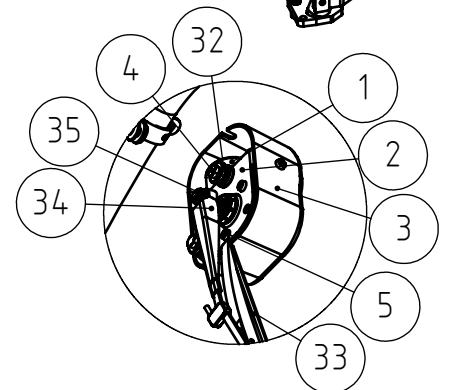
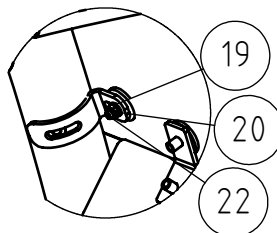
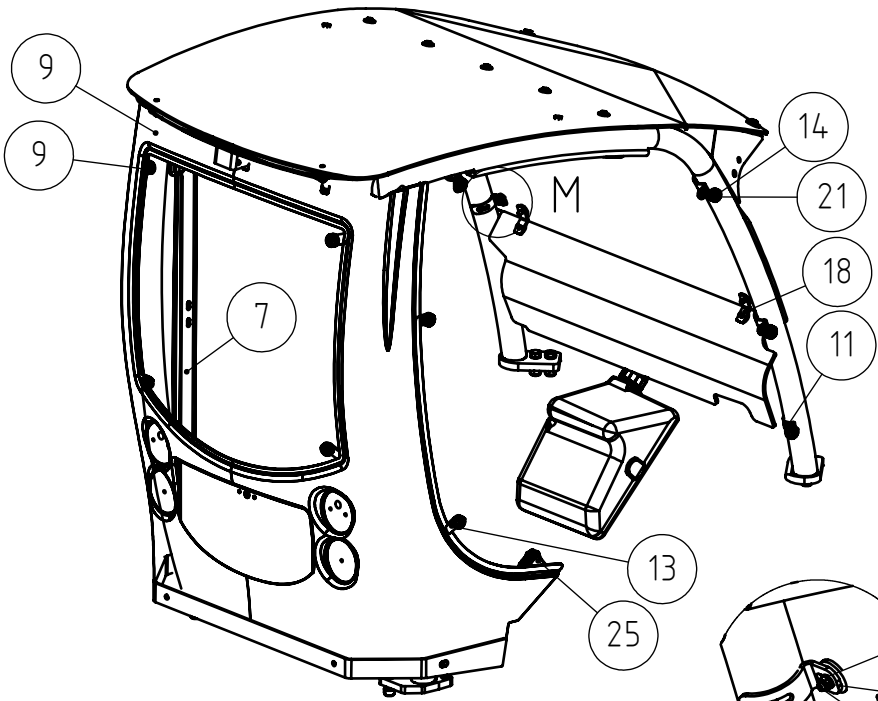
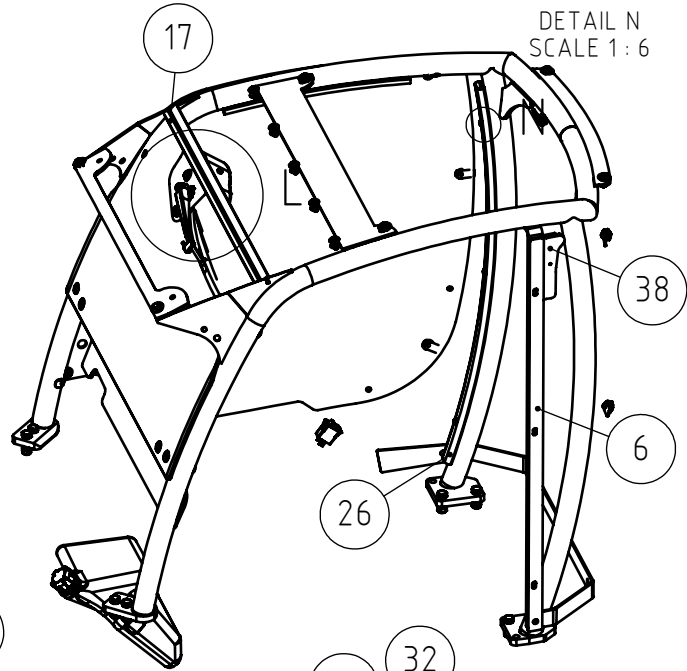
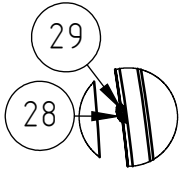
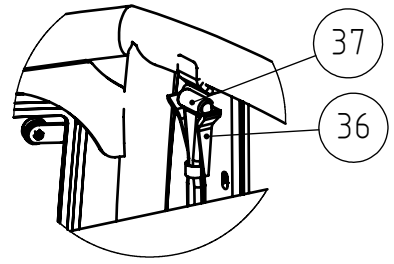
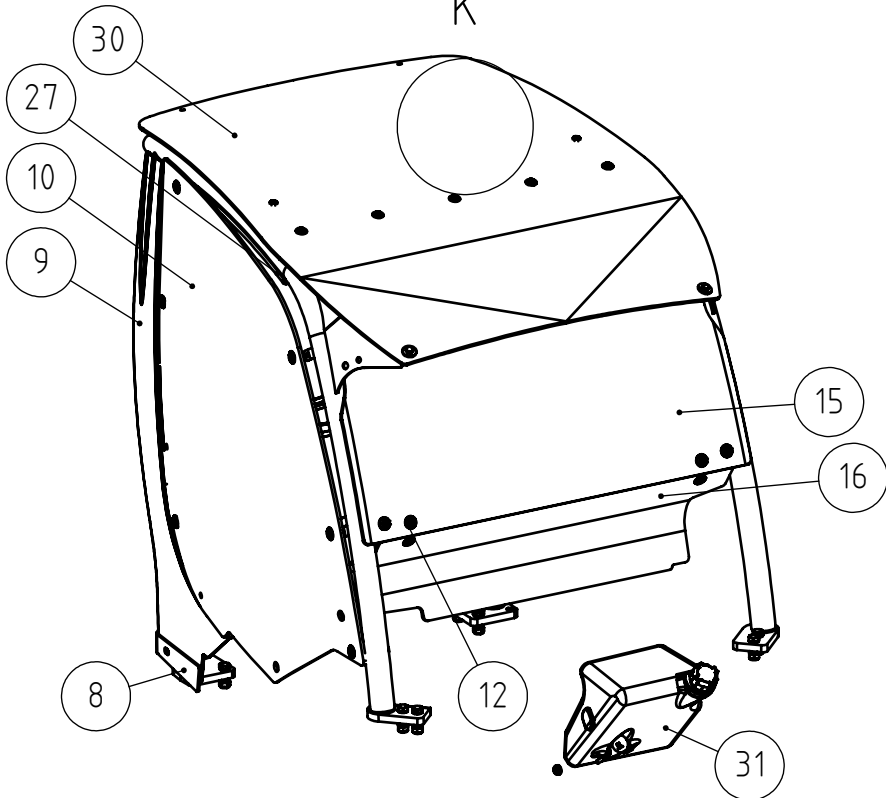
A454022 HYDRAULIC MANIFOLD 2-SPEED

| REF | PART NO | QTY | DESCRIPTION | NOTES | PAGE |
|-----|---------|-----|---|-------|------|
| 1 | A428734 | 2 | PRESSURE RELIEF VALVE CARTRIDGE 380BAR | | - |
| 2 | A432309 | 1 | VALVE CARTRIDGE DRIVE RELEASE OPTIDRIVE | | - |
| 3 | A428738 | 1 | FLOW RESTRICTOR M6/1,0MM | | - |
| 4 | A428584 | 2 | VALVE CARTRIDGE SPOOL VALVE 3/2 | | - |
| 5 | 66452 | 3 | SOLENOID 12VDC/19W | | - |
| 6 | A428735 | 1 | PRESSURE RELIEF VALVE CARTRIDGE 30BAR | | - |
| 7 | 64407 | 2 | HEXAGONAL PLUG R 1/8" WITH PACKING | | - |
| 8 | A449892 | 4 | BASIC FITTING G1/2" M24*1,5 | | - |
| 9 | 64059 | 2 | BASIC FITTING F40XS10-1/4 | | - |
| 10 | 64678 | 1 | BASIC FITTING F40XS6-1/4" | | - |
| 11 | 64041 | 3 | BASIC FITTING F40XS10-3/8 /8 | | - |
| 12 | 64313 | 1 | BASIC FITTING F40XS6-3/8" | | - |
| 13 | 64232 | 1 | FITTING HEAD FNTXS10 | | - |
| 14 | A421825 | 1 | BANJO BOLT, HYDR. MANIFOLD | | - |
| 15 | 75112 | 2 | O-RING NBR F 32,99*2,62 90SH | | - |
| 16 | A428794 | 1 | SEAL KIT HYDRAULIC MANIFOLD A421615 | | - |

23.1.2024

A439264 CAB L, 800 SERIES

K

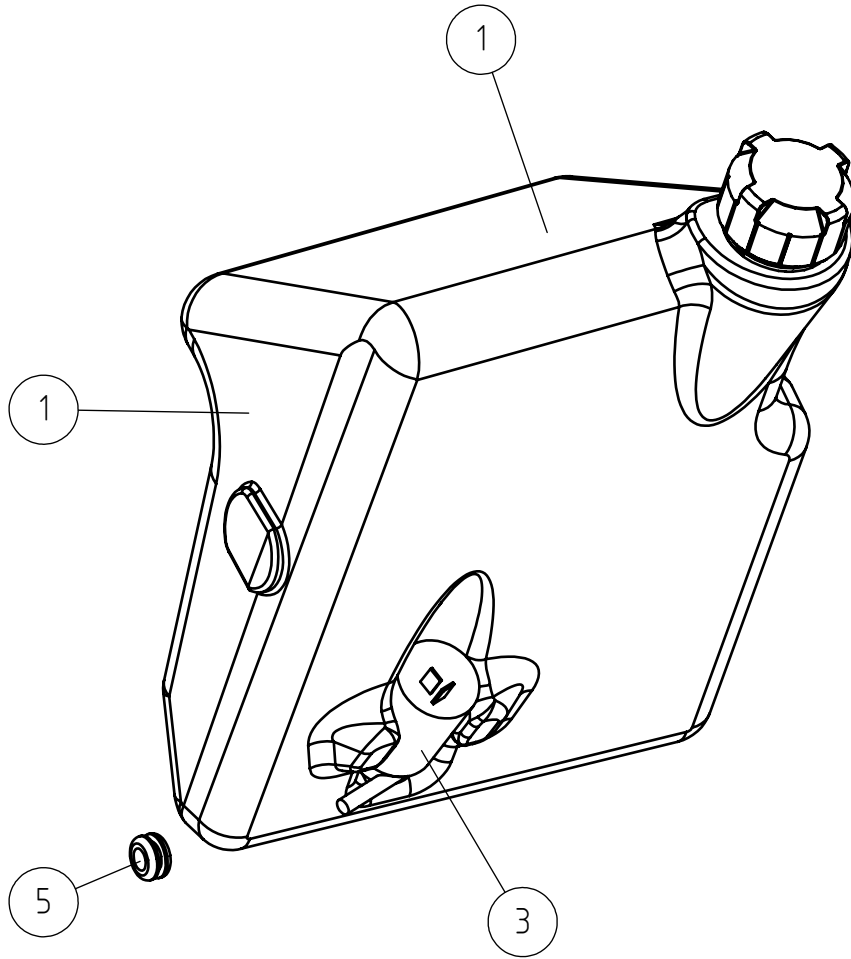


23.1.2024

A439264 CAB L, 800 SERIES

| REF | PART NO | QTY | DESCRIPTION | NOTES | PAGE |
|------|---------|-----|---|-------|------|
| 1 | A447287 | 1 | ELECTRIC MOTOR PROGRAMMED WINDSCREEN | | - |
| 2 | A440457 | 1 | BRACKET MOTOR WINDSCREEN WIPER | | - |
| 3 | A440716 | 1 | COVER MOTOR WINDSCREEN WIPER | | - |
| 4 | A427795 | 2 | HEXAGONAL SCREW M8*25 DIN 933 8.8 | | - |
| 5 | A437544 | 5 | THREAD-FORMING SCREW BLACK M6*16 DIN | | - |
| 6 | A49353 | 1 | FRAME, OUTER | | - |
| 7 | A49354 | 1 | FRAME, INNER | | - |
| 8 | A49356 | 1 | MOUNTING BRACKET, LOWER | | - |
| 9 | A438597 | 1 | REAR WALL WITH WINDOW CAB L 800 SERIES | | - |
| 10 | A439284 | 1 | SIDE WINDOW CAB L 800 SERIES | | - |
| 11 | A49699 | 4 | MOUNTING BRACKET ONE SIDED | | - |
| 12 | 74788 | 14 | FASTENER, WINDOW, F25/F5-13 | | - |
| 13 | A410059 | 2 | HOLDER | | - |
| 14 | 74787 | 1 | CROSS HEAD SCREW M5*20 | | - |
| 15 | A439293 | 1 | WINDSCREEN CAB L 800 SERIES | | - |
| 16 | A439294 | 1 | WINDSCREEN LOWER SMALL CAB L 800 SERIES | | - |
| 17 | A441267 | 1 | WEATHER STRIP L=650MM WINDSCREEN CAB L | | - |
| 18 | A49445 | 2 | FASTENER | | - |
| 19 | 74448 | 1 | WASHER M5 A5,3 DIN 125 ZN | | - |
| 20 | 72315 | 1 | HEXAGONAL NUT M5 NYLOC DIN 985 | | - |
| 21 | A49698 | 2 | MOUNTING BRACKET TWO SIDED | | - |
| 22 | 74793 | 1 | CROSS HEAD COUNTERS SCREW M5*25 | | - |
| 23 | A411021 | 1 | DECAL "EMERGENCY EXIT" | | - |
| 24 | A441037 | 1 | WIRE HARNESS CAB L AVANT 700-800 | | - |
| 25 | 65063 | 1 | SWITCH, WIPER/WASHER | | - |
| 26 | A49080 | 1 | COVER STRIP, SIDE | | - |
| 27 | A49079 | 1 | COVER STRIP, MIDDLE | | - |
| 28 | 74767 | 3 | RAISED COUNTERSUNK HEAD SCREW M6*20 | | - |
| 29 | 74768 | 3 | WASHER CONICAL M6 | | - |
| 30 | A410091 | 1 | CANOPY, POLYCARBONATE | | - |
| 31 | A436328 | 1 | TANK WINDSCREEN WASHER, ASSEMBLY | | 122 |
| 31.1 | 65017 | 1 | PUMP 12V, WINDSCREEN WASHER | | - |
| 31.2 | 64865 | 1 | GROMMET F18/12/9,51-3 | | - |
| 31.3 | 64991 | 1 | GROMMET F18/14/6, H14/H5 ,2012306 | | - |
| 32 | A441784 | 4 | BUSHING PLASTIC D16,9/D8 - L8,1 | | - |
| 33 | A443736 | 1 | WIPER BLADE L=380MM | | - |
| 34 | A443723 | 1 | ARM, WINDSCREEN WIPER M10 L=263 WITH | | - |
| 35 | 72322 | 1 | HEXAGONAL NUT M 10 NYLOC DIN 985 | | - |
| 36 | A432729 | 1 | BRACKET, EMERGENCY HAMMER 64986 | | - |
| 37 | 64986 | 1 | EMERGENCY HAMMER HAPPICH RED | | - |
| 38 | A429345 | 2 | PAN HEAD MACHINE SCREW M4*10 | | - |

A436328 TANK WINDSCREEN WASHER, ASSEMBLY



23.1.2024

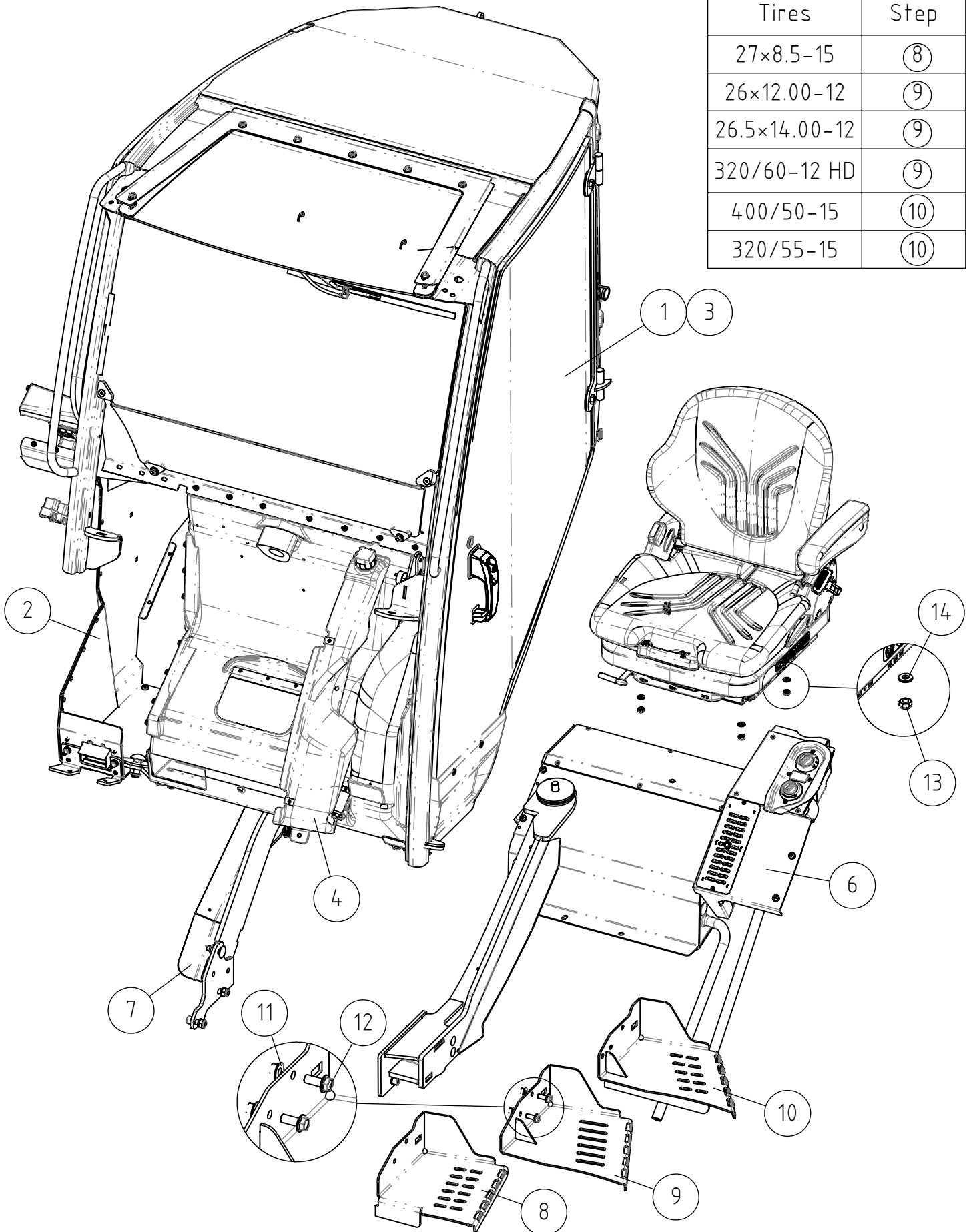
A436328 TANK WINDSCREEN WASHER, ASSEMBLY

| REF | PART NO | QTY | DESCRIPTION | NOTES | PAGE |
|-----|---------|-----|-----------------------------------|-------|------|
| 1 | A437429 | 1 | TANK ASSEMBLY WINDSCREEN WASHER | | - |
| 2 | 64991 | 1 | GROMMET F18/14/6, H14/H5 ,2012306 | | - |
| 3 | 65017 | 1 | PUMP 12V, WINDSCREEN WASHER | | - |
| 4 | 65022 | 1 | UNDERPRESSURE HOSE EPDM F2,8/F3,2 | | - |
| 5 | 64865 | 1 | GROMMET F18/12/9,51-3 | | - |
| - | 65017 | 1 | PUMP 12V, WINDSCREEN WASHER | | - |
| - | 64865 | 1 | GROMMET F18/12/9,51-3 | | - |
| - | 64991 | 1 | GROMMET F18/14/6, H14/H5 ,2012306 | | - |

23.1.2024

A444539 CAB GT, 700 SERIES

| Tires | Step |
|---------------|------|
| 27×8.5-15 | ⑧ |
| 26×12.00-12 | ⑨ |
| 26.5×14.00-12 | ⑨ |
| 320/60-12 HD | ⑨ |
| 400/50-15 | ⑩ |
| 320/55-15 | ⑩ |



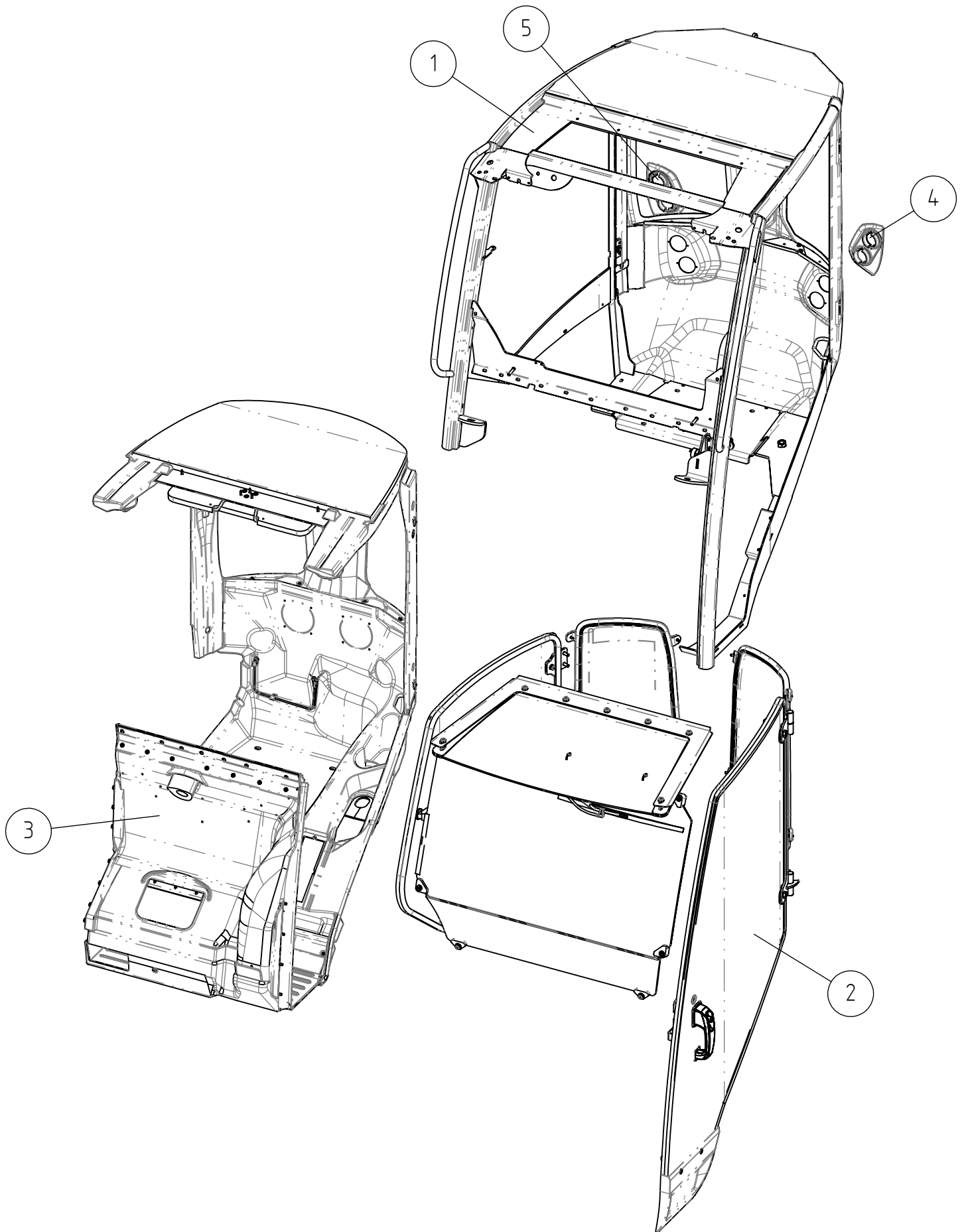
23.1.2024

A444539 CAB GT, 700 SERIES

| REF | PART NO | QTY | DESCRIPTION | NOTES | PAGE |
|-----|---------|-----|--|-------|------|
| 1 | A453487 | 1 | BASIC PARTS CAB GT | | 126 |
| 2 | A448127 | 1 | CONTROLS ASSEMBLY CAB GT | | 166 |
| 3 | A445920 | 1 | WIRE HARNESS CAB GT TWIN FANS A/C | | - |
| 4 | A446010 | 1 | TANK ASSEMBLY WINDSCREEN WASHER | | 172 |
| 5 | A449724 | 1 | SEAT FULL SUSPENSION FABRIC HEATER MSG65 | | 174 |
| 6 | A438246 | 1 | HEATER ASSEMBLY CAB GT | | 176 |
| 7 | A442729 | 1 | | | 178 |
| 8 | A449935 | 1 | STEP CAB GT 27X8.50-15 WHEELS | | - |
| 9 | A451964 | 1 | | | - |
| 10 | A451536 | 1 | STEP CAB GT | | - |
| 11 | A453082 | 2 | HEXAGONAL NUT M10 DIN 6923 | | - |
| 12 | A432195 | 2 | HEXAGONAL SERRATED SCREW M10*25 W. FLANG | | - |
| 13 | 72320 | 4 | HEXAGONAL NUT M8 NYLOC DIN 985 | | - |
| 14 | 63944 | 4 | WASHER, PAIR, NORD-LOCK M8 | | - |

23.1.2024

A453487 BASIC PARTS CAB GT



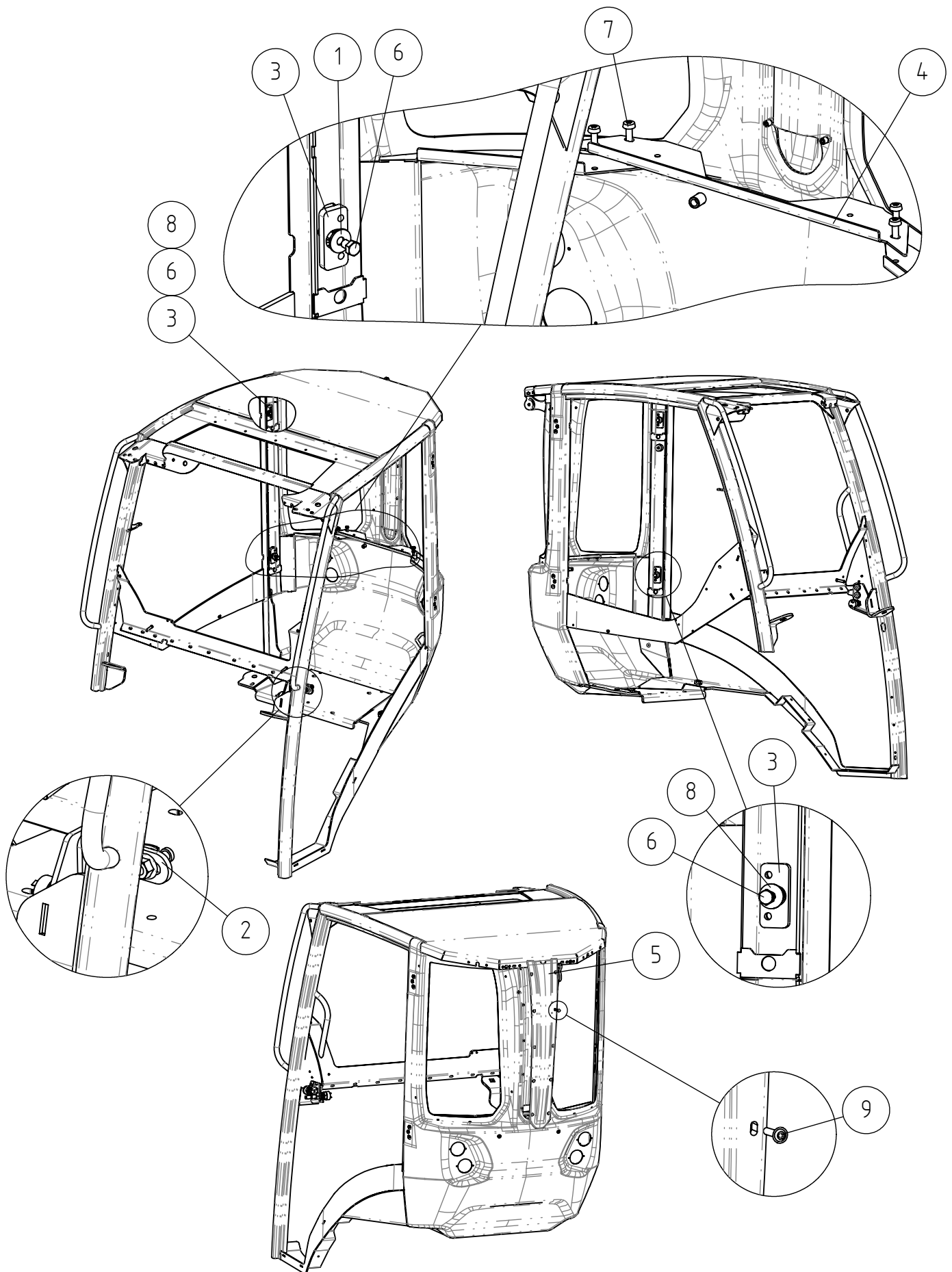
23.1.2024

A453487 BASIC PARTS CAB GT

| REF | PART NO | QTY | DESCRIPTION | NOTES | PAGE |
|-----|---------|-----|--------------------------------|-------|------|
| 1 | A448117 | 1 | | | 128 |
| 2 | A453483 | 1 | | | 132 |
| 3 | A453489 | 1 | UPHOLSTERY ASSEMBLY CAB GT | | 146 |
| 4 | A438151 | 1 | FRAME LEFT REAR LIGHTS CAB GT | | - |
| 5 | A438155 | 1 | FRAME RIGHT REAR LIGHTS CAB GT | | - |

23.1.2024

A448117



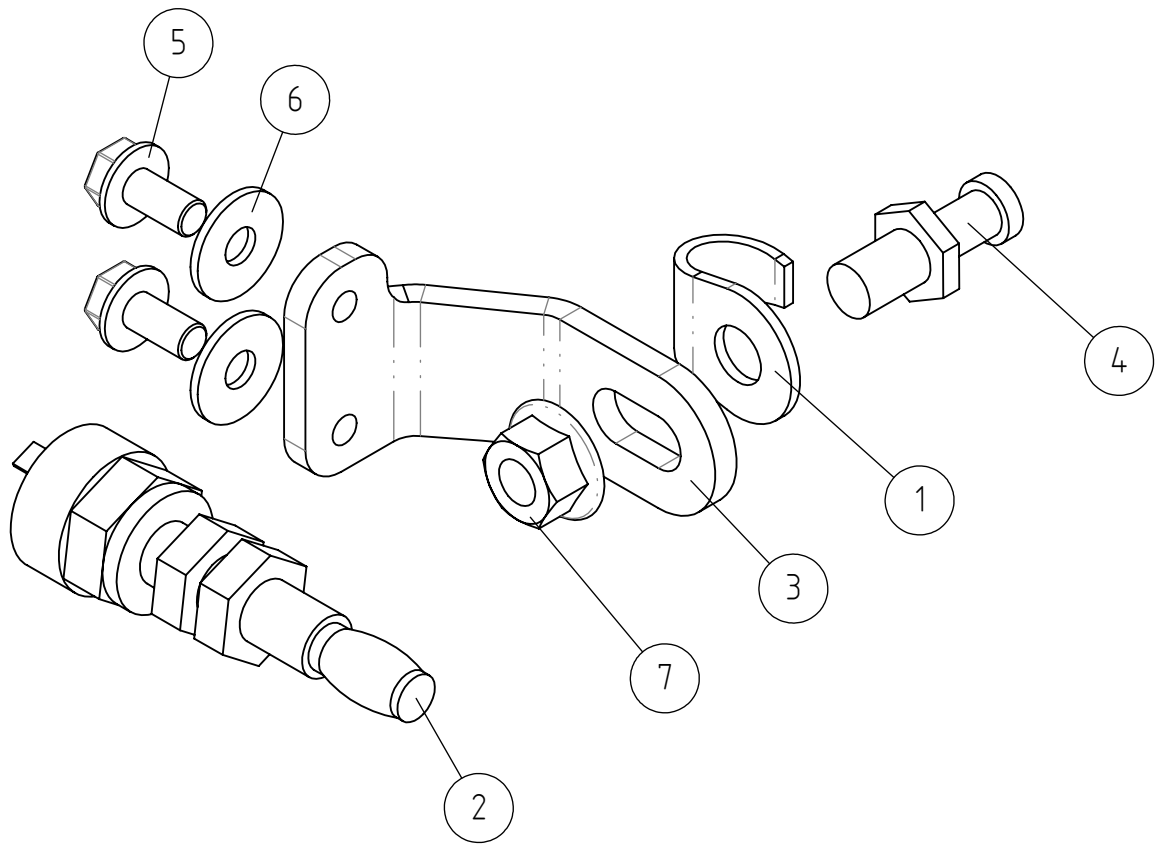
23.1.2024

A448117

| REF | PART NO | QTY | DESCRIPTION | NOTES | PAGE |
|-----|---------|-----|--------------------------------------|-------|------|
| 1 | A448118 | 1 | FRAME CAB GT | | - |
| 2 | A438895 | 1 | LATCH ASSEMBLY | | 130 |
| 3 | A435904 | 4 | SPACER PLATE DOOR CAB GT | | - |
| 4 | A434179 | 1 | MOUNTING BRACKET | | - |
| 5 | A438890 | 1 | COVER C-PILLAR ASSEMBLY CAB GT | | - |
| 6 | 72128 | 4 | HEXAGONAL SCREW M 8*12 DIN 933 ZN | | - |
| 7 | 75129 | 4 | THREAD-FORMING SCREW M6*16 DIN 7500C | | - |
| 8 | A435941 | 4 | WASHER M8 DIN 9021 Ø8,4/Ø24 -2 ZN | | - |
| 9 | A465528 | 10 | | | - |

23.1.2024

A438895 LATCH ASSEMBLY



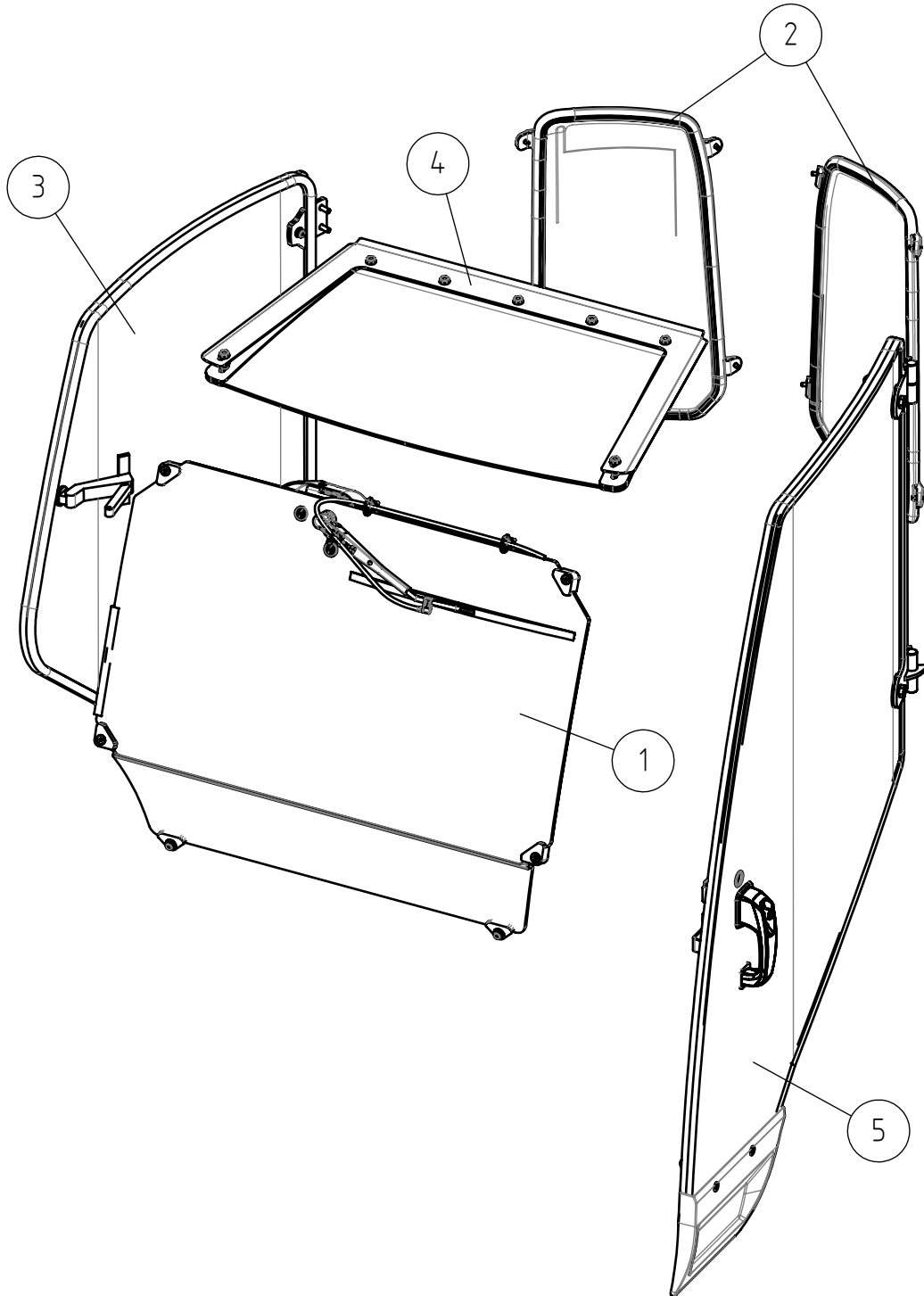
23.1.2024

A438895 LATCH ASSEMBLY

| REF | PART NO | QTY | DESCRIPTION | NOTES | PAGE |
|-----|---------|-----|-------------------------------------|-------|------|
| 1 | 64980 | 1 | GUIDE PLATE, LOCK | | - |
| 2 | 65665 | 1 | DOOR SWITCH, CAB | | - |
| 3 | A434306 | 1 | LATCH DOOR CAB GT | | - |
| 4 | 64979 | 1 | PIN, DOOR LOCK | | - |
| 5 | A429200 | 2 | HEXAGONAL SERRATED SCREW M8*16 WITH | | - |
| 6 | A435941 | 2 | WASHER M8 DIN 9021 Ø8,4/Ø24 -2 ZN | | - |
| 7 | A450048 | 1 | HEXAGONAL NUT M12 WITH FLANGE | | - |

23.1.2024

A453483



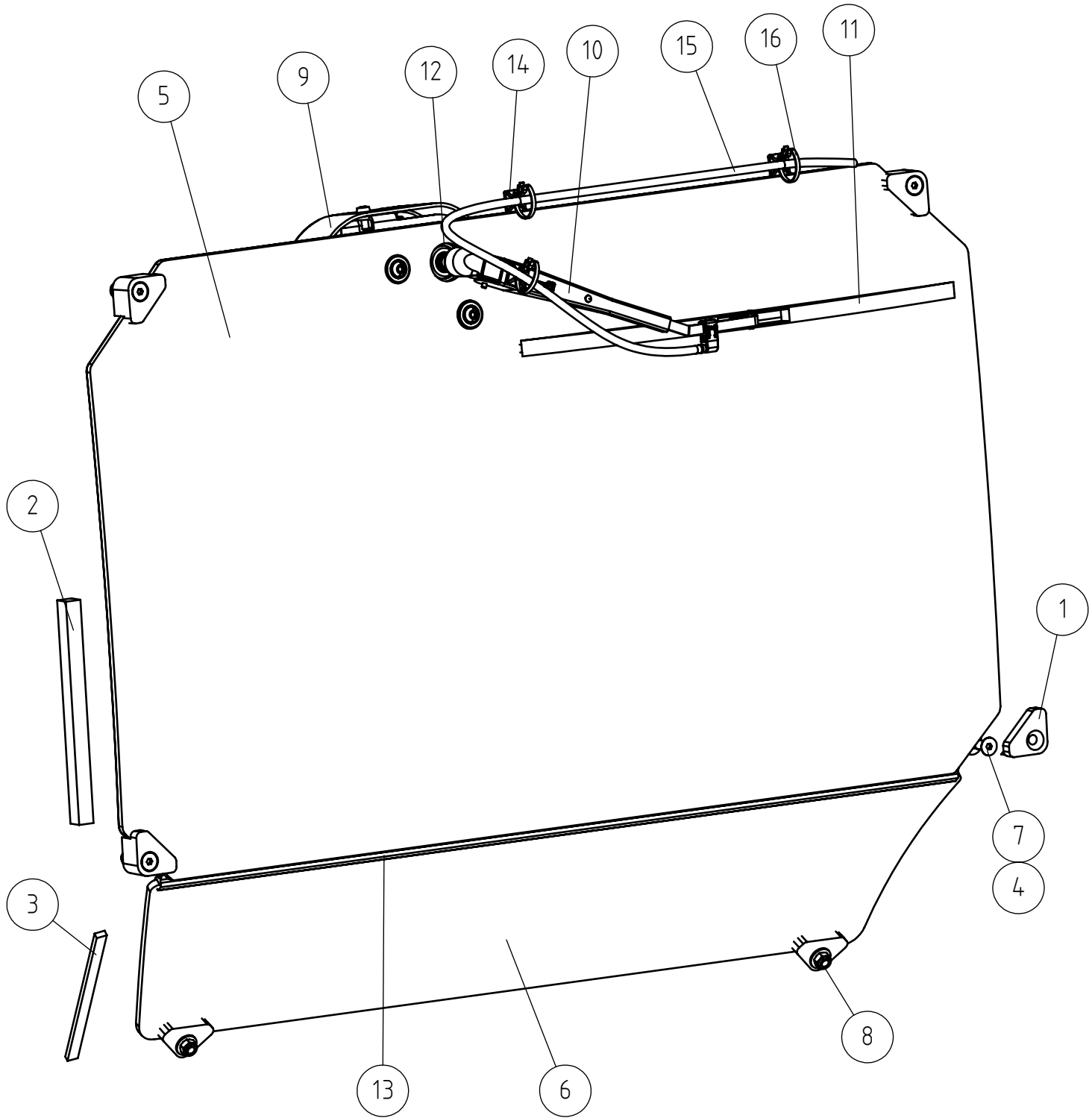
23.1.2024

A453483

| REF | PART NO | QTY | DESCRIPTION | NOTES | PAGE |
|-----|---------|-----|------------------------------------|-------|------|
| 1 | A445896 | 1 | WINDSCREEN ASSEMBLY CAB GT | | 134 |
| 2 | A436771 | 1 | REAR WINDOWS CAB GT | | 138 |
| 2.1 | A434932 | 1 | REAR WINDOW LEFT CAB GT | | - |
| 2.2 | A434114 | 1 | REAR WINDOW RIGHT CAB GT | | - |
| 2.3 | A435250 | 4 | BRACKET OUTSIDE REAR WINDOW CAB GT | | - |
| 2.4 | A435251 | 4 | BRACKET INSIDE REAR WINDOW CAB GT | | - |
| 2.5 | A436768 | 2 | SEAL REAR WINDOW CAB GT | | - |
| 3 | A434952 | 1 | WINDOW RIGHT ASSEMBLY CAB GT | | 140 |
| 4 | A436900 | 1 | SUNROOF ASSEMBLY CAB GT | | 142 |
| 4.1 | A434638 | 1 | SUNROOF PLATE CAB GT | | - |
| 4.2 | A436903 | 1 | SEAL SUNROOF CAB GT | | - |
| 5 | A434950 | 1 | DOOR ASSEMBLY CAB GT | | 144 |

23.1.2024

A445896 WINDSCREEN ASSEMBLY CAB GT



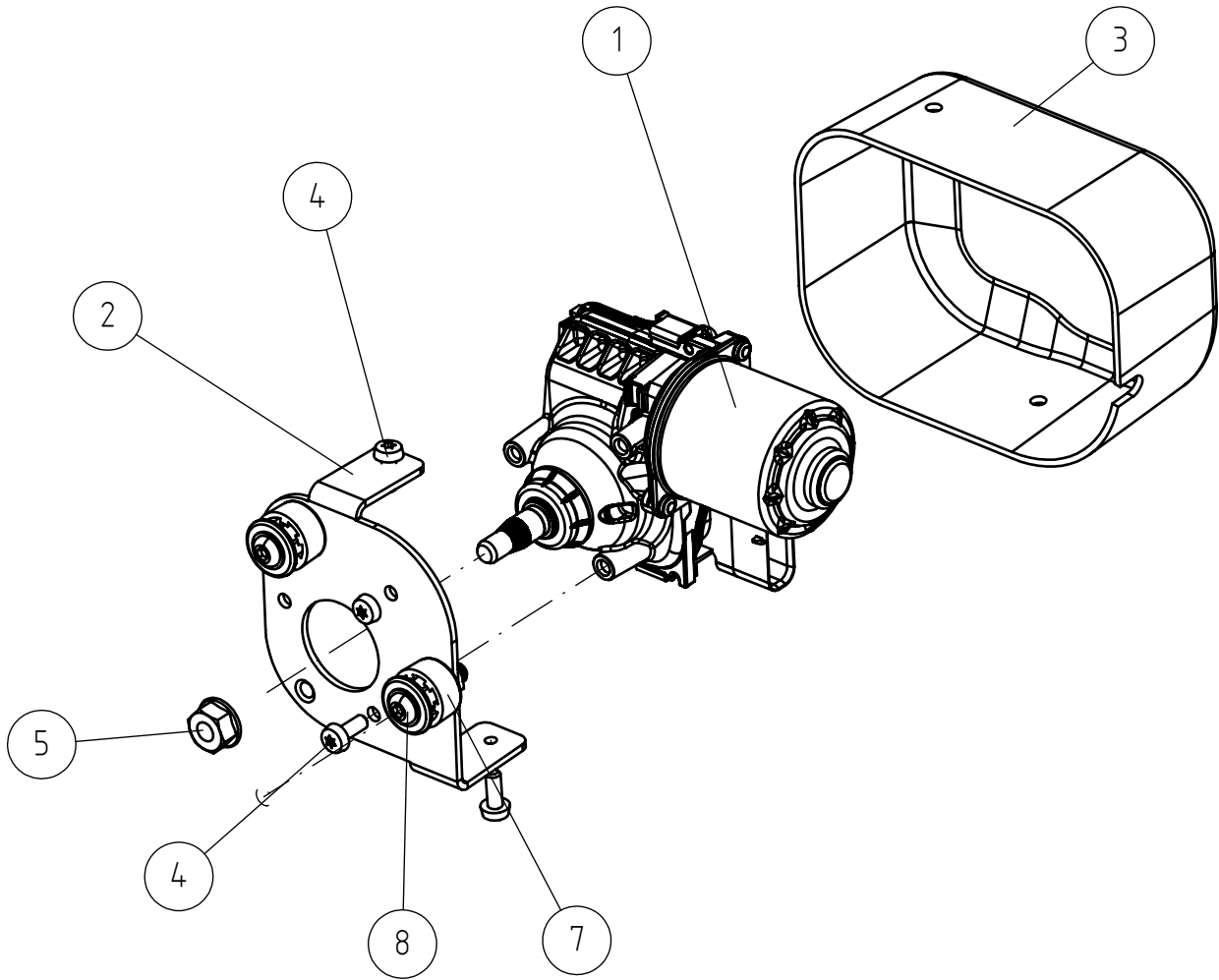
23.1.2024

A445896 WINDSCREEN ASSEMBLY CAB GT

| REF | PART NO | QTY | DESCRIPTION | NOTES | PAGE |
|-----|---------|-----|--|-------|------|
| 1 | A412362 | 6 | BRACKET, WINDSCREEN | | - |
| 2 | A413839 | 1 | WEATHER STRIP, WINDSCREEN, CAB DLX | | - |
| 3 | A413848 | 1 | WEATHER STRIP, WINDSCREEN SMALL, CAB DLX | | - |
| 4 | 74525 | 6 | WASHER M8 8,4*20*1,25 ZN | | - |
| 5 | A445897 | 1 | WINDSCREEN CAB 500-700 SERIES | | - |
| 6 | A434100 | 1 | WINDSCREEN, LOWER, SMALL, CAB GT | | - |
| 7 | 75039 | 4 | HEXAG. COUNTERSUNK HEAD SCREW M8*40 | | - |
| 8 | 72320 | 6 | HEXAGONAL NUT M8 NYLOC DIN 985 | | - |
| 9 | A449928 | 1 | WINDSCREEN WIPER ASSEMBLY CAB GT | | 136 |
| 10 | A443799 | 1 | ARM, WINDSCREEN WIPER M10 L=302 WITH | | - |
| 11 | 65170 | 1 | WIPER BLADE DOGA | | - |
| 12 | A445904 | 1 | SEAL MOTOR WINDSCREEN WIPER | | - |
| 13 | A452085 | 1 | WEATHER STRIP BETWEEN WINDSCREENS CAB GT | | - |
| 14 | A455710 | 3 | SOCKET ADHESIVE 19X19 CABLE TIE | | - |
| 15 | A456336 | 1 | HOSE WINDSCREEN WASHER CAB GT | | - |
| 16 | A431459 | 3 | CABLE TIE 3,6*281 BLACK | | - |

23.1.2024

A449928 WINDSCREEN WIPER ASSEMBLY CAB GT



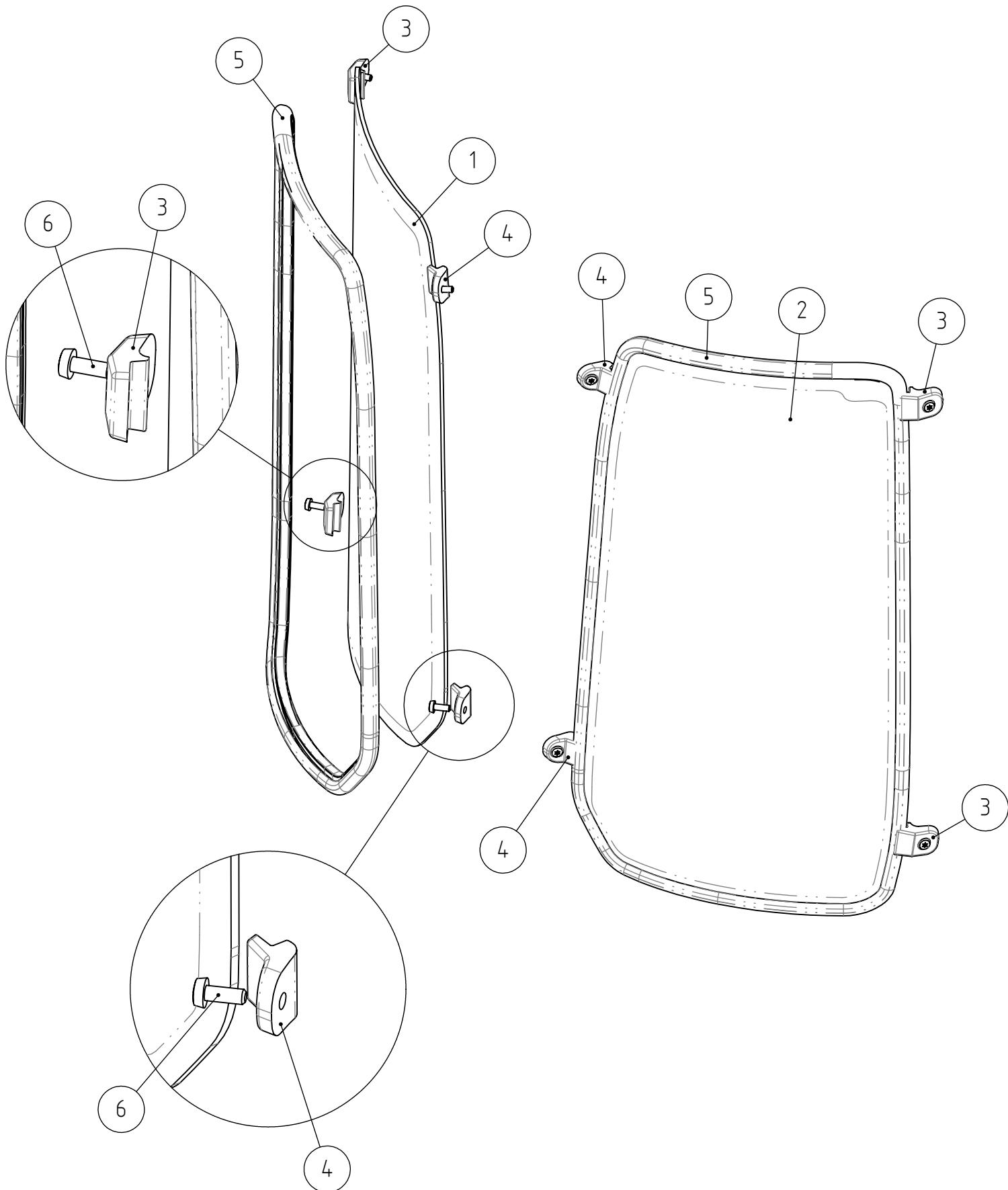
23.1.2024

A449928 WINDSCREEN WIPER ASSEMBLY CAB GT

| REF | PART NO | QTY | DESCRIPTION | NOTES | PAGE |
|-----|---------|-----|--------------------------------------|-------|------|
| 1 | A444058 | 1 | ELECTRIC MOTOR PROGRAMMED WINDSCREEN | | - |
| 2 | A440457 | 1 | BRACKET MOTOR WINDSCREEN WIPER | | - |
| 3 | A440716 | 1 | COVER MOTOR WINDSCREEN WIPER | | - |
| 4 | A437544 | 4 | THREAD-FORMING SCREW BLACK M6*16 DIN | | - |
| 5 | 74783 | 1 | HEXAGONAL NUT M10 WITH FLANGE | | - |
| 6 | A446546 | 2 | BUSHING PLASTIC D16,9/D8 - L5,4 | | - |
| 7 | A446547 | 2 | BUSHING PLASTIC D16,9/D8 - L15,3 | | - |
| 8 | A449933 | 2 | HEXAGONAL HEAD SCREW M8*35 10.9 | | - |

23.1.2024

A436771 REAR WINDOWS CAB GT



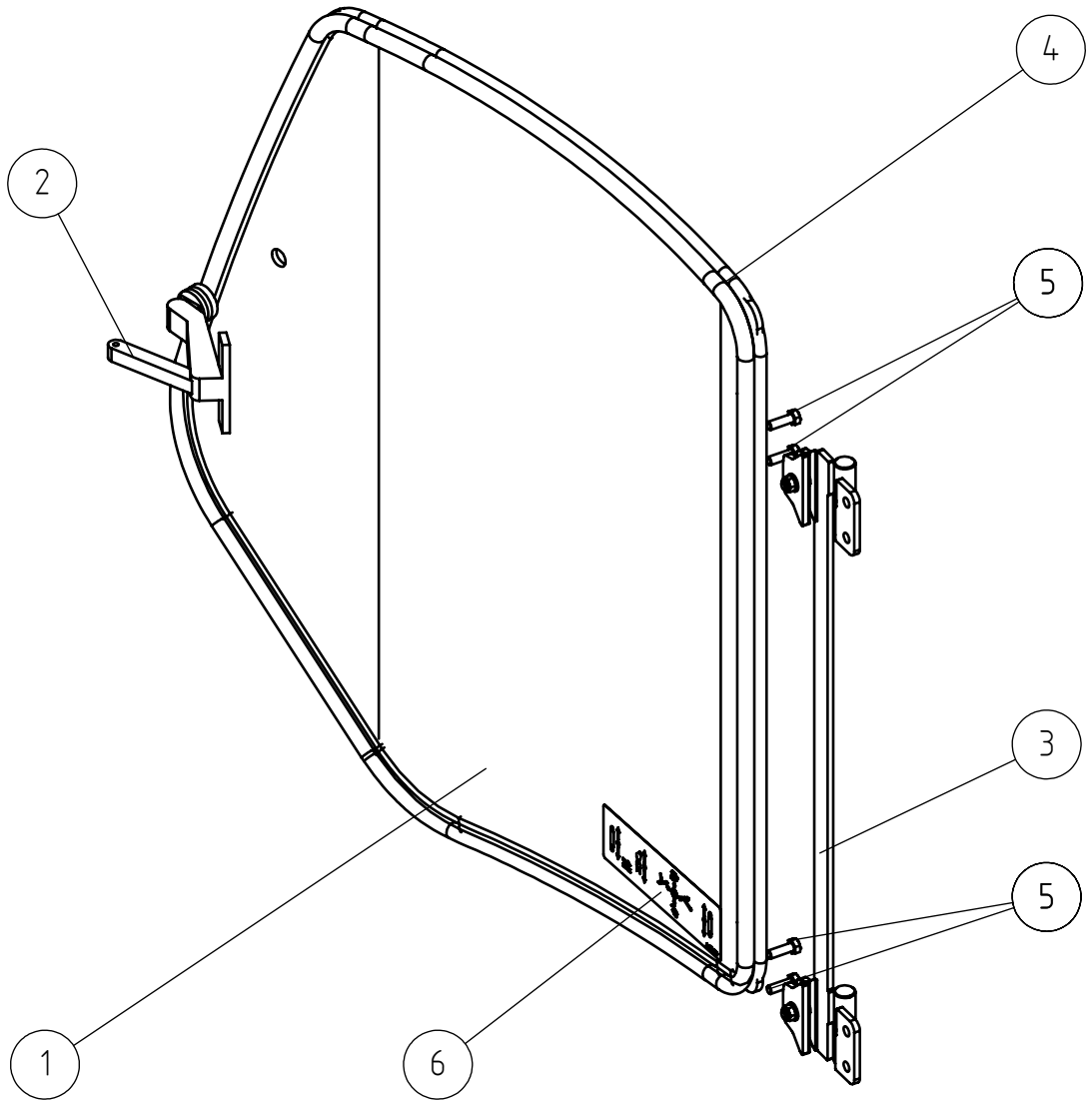
23.1.2024

A436771 REAR WINDOWS CAB GT

| REF | PART NO | QTY | DESCRIPTION | NOTES | PAGE |
|-----|---------|-----|--------------------------------------|-------|------|
| 1 | A434932 | 1 | REAR WINDOW LEFT CAB GT | | - |
| 2 | A434114 | 1 | REAR WINDOW RIGHT CAB GT | | - |
| 3 | A435250 | 4 | BRACKET OUTSIDE REAR WINDOW CAB GT | | - |
| 4 | A435251 | 4 | BRACKET INSIDE REAR WINDOW CAB GT | | - |
| 5 | A436768 | 2 | SEAL REAR WINDOW CAB GT | | - |
| 6 | 75129 | 8 | THREAD-FORMING SCREW M6*16 DIN 7500C | | - |
| - | A434932 | 1 | REAR WINDOW LEFT CAB GT | | - |
| - | A434114 | 1 | REAR WINDOW RIGHT CAB GT | | - |
| - | A435250 | 4 | BRACKET OUTSIDE REAR WINDOW CAB GT | | - |
| - | A435251 | 4 | BRACKET INSIDE REAR WINDOW CAB GT | | - |
| - | A436768 | 2 | SEAL REAR WINDOW CAB GT | | - |

23.1.2024

A434952 WINDOW RIGHT ASSEMBLY CAB GT



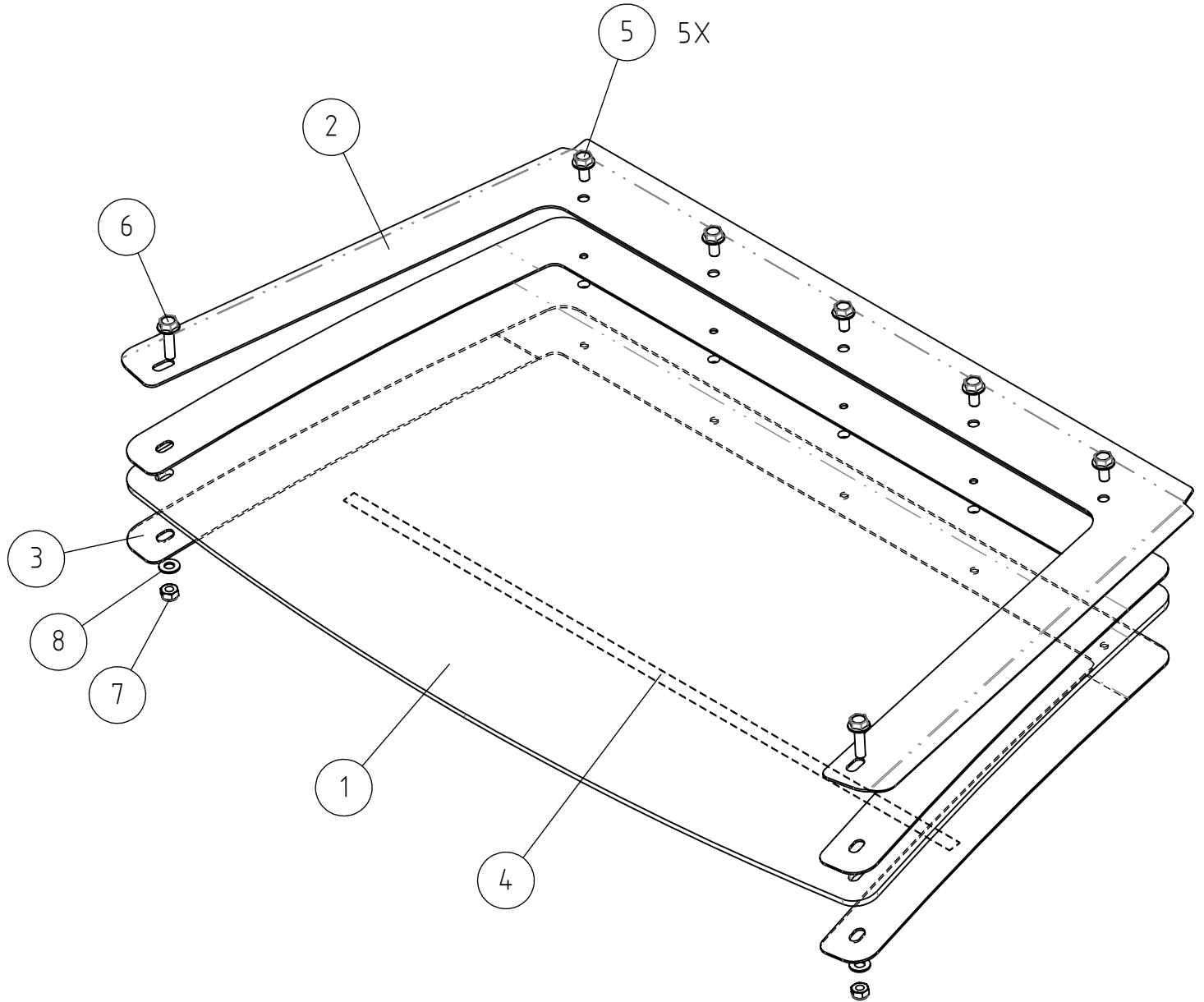
23.1.2024

A434952 WINDOW RIGHT ASSEMBLY CAB GT

| REF | PART NO | QTY | DESCRIPTION | NOTES | PAGE |
|-----|---------|-----|---------------------------------------|-------|------|
| 1 | A411820 | 1 | WINDOW, RIGHT, CAB DLX & GT | | - |
| 2 | 64983 | 1 | HANDLE, WINDOW RIGHT, CAB 600 SERIES | | - |
| 2.1 | 66026 | 1 | RELEASE PIN, OPENING MECHANISM WINDOW | | - |
| 3 | A434953 | 1 | BRACKET ASSEMBLY SIDE WINDOW CAB | | - |
| 4 | A413843 | 1 | WEATHER STRIP, SIDE WINDOW, CAB DLX | | - |
| 5 | 72132 | 4 | HEXAGONAL SCREW M 8*25 DIN 933 ZN | | - |
| 6 | A441320 | 1 | DECAL CONTROLS CAB GT RIGHT WINDOW | | - |

23.1.2024

A436900 SUNROOF ASSEMBLY CAB GT



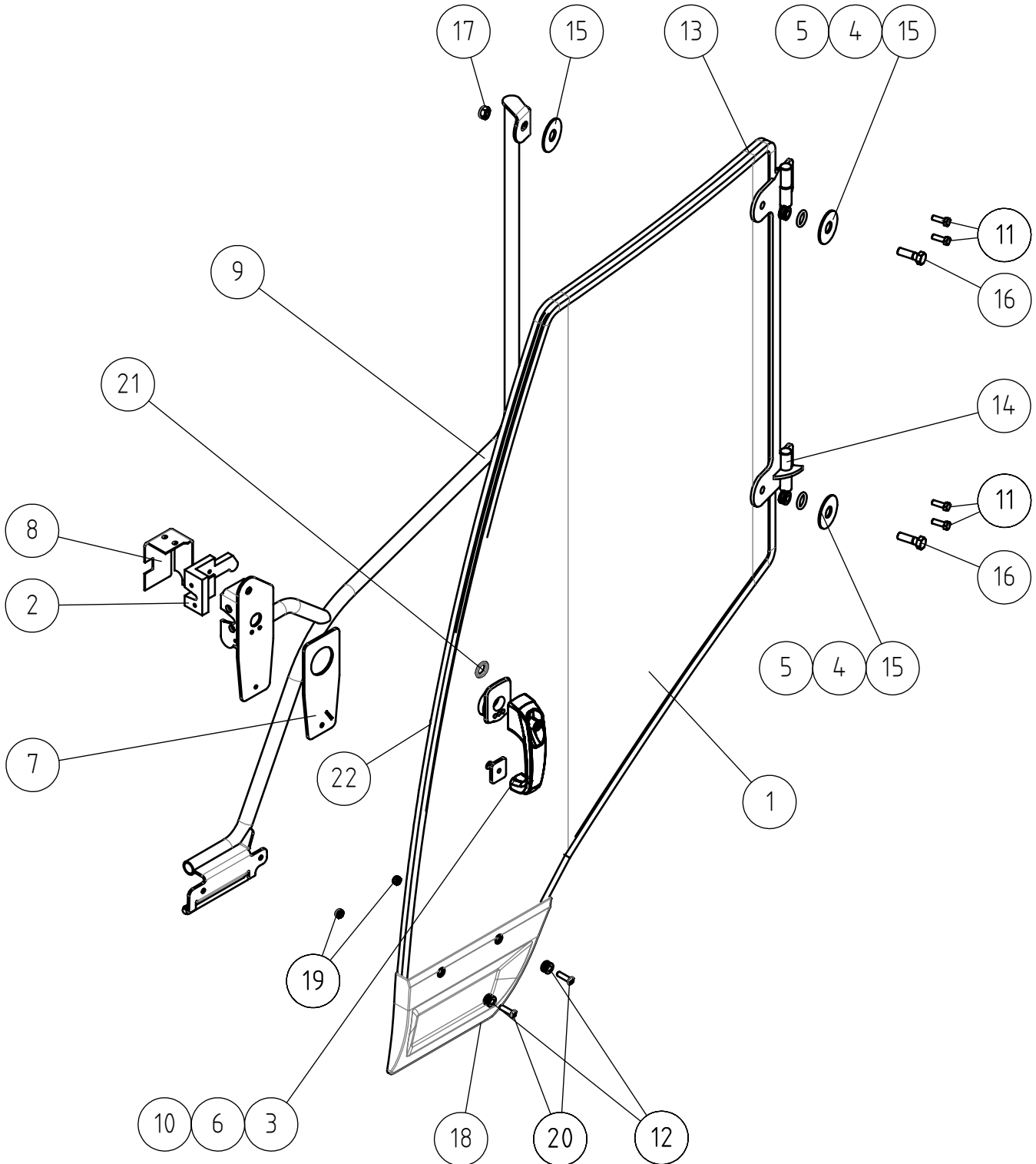
23.1.2024

A436900 SUNROOF ASSEMBLY CAB GT

| REF | PART NO | QTY | DESCRIPTION | NOTES | PAGE |
|-----|---------|-----|-------------------------------------|-------|------|
| 1 | A434638 | 1 | SUNROOF PLATE CAB GT | | - |
| 2 | A434637 | 1 | | | - |
| 3 | A436903 | 2 | SEAL SUNROOF CAB GT | | - |
| 4 | A436908 | 1 | | | - |
| 5 | A429200 | 5 | HEXAGONAL SERRATED SCREW M8*16 WITH | | - |
| 6 | A429203 | 2 | HEXAGONAL SERRATED SCREW M8*30 WITH | | - |
| 7 | 72320 | 2 | HEXAGONAL NUT M8 NYLOC DIN 985 | | - |
| 8 | 73122 | 2 | WASHER M8 A8,4 DIN 125 ZN | | - |
| - | A434638 | 1 | SUNROOF PLATE CAB GT | | - |
| - | A436903 | 1 | SEAL SUNROOF CAB GT | | - |

23.1.2024

A434950 DOOR ASSEMBLY CAB GT



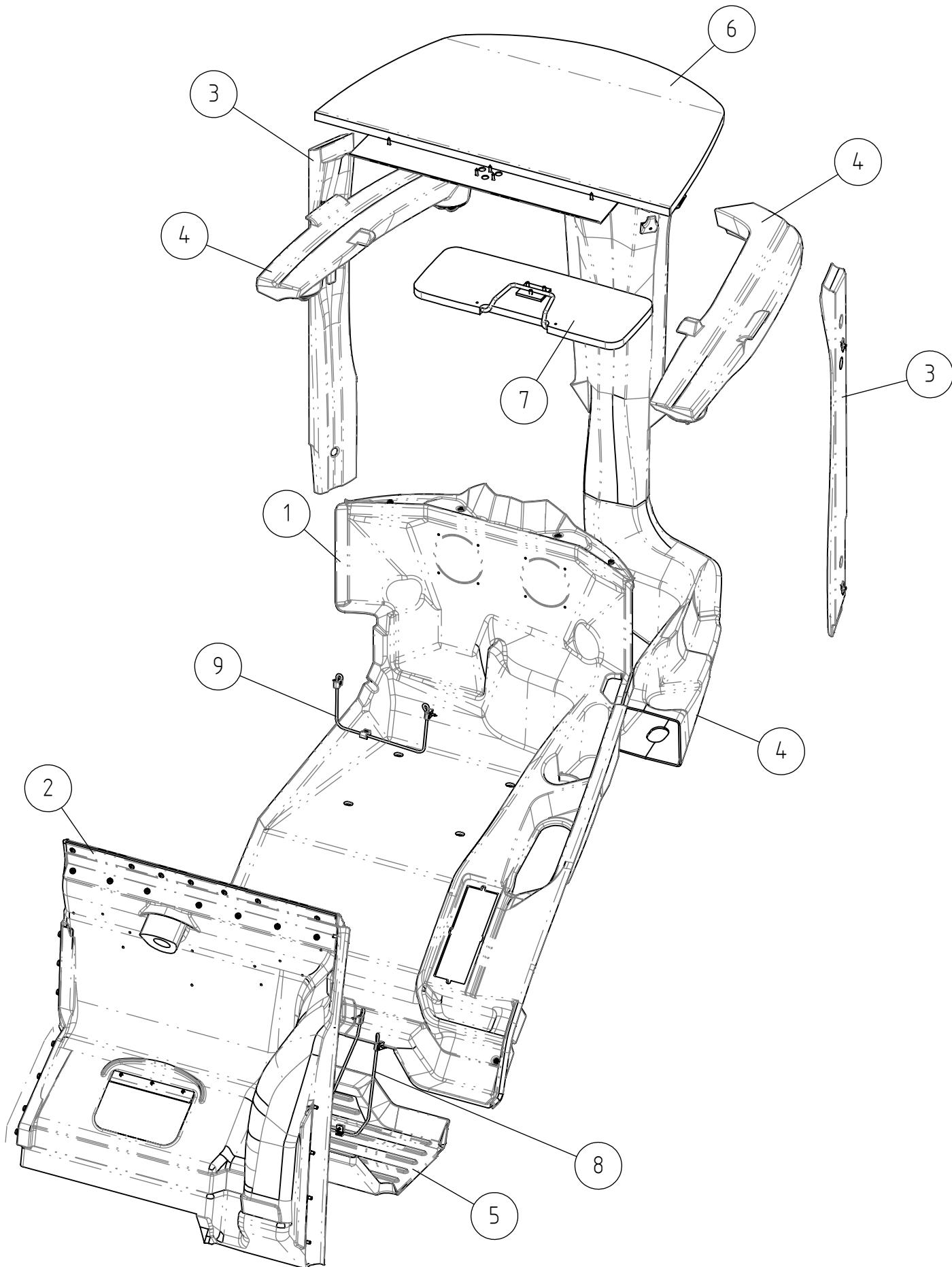
23.1.2024

A434950 DOOR ASSEMBLY CAB GT

| REF | PART NO | QTY | DESCRIPTION | NOTES | PAGE |
|-----|---------|-----|--|-------|------|
| 1 | A411823 | 1 | DOOR PLATE, SAFETY GLASS, CAB DLX & GT | | - |
| 2 | 64981 | 1 | LOCK BODY | | - |
| 3 | 65025 | 1 | HANDLE, DOOR, CAB | | - |
| 4 | 74856 | 2 | O-RING NBR F 20,0 * 5,0 70SH | | - |
| 5 | A412329 | 2 | BUSHING | | - |
| 6 | 65026 | 1 | SUBPLATE, DOOR HANDLE 20325-01 | | - |
| 7 | A47957 | 1 | PLATE | | - |
| 8 | A412344 | 1 | COVER PLATE | | - |
| 9 | A34859 | 1 | FRAME, DOOR, CAB DLX & GT | | - |
| 10 | 65027 | 1 | SUBPLATE, DOOR HANDLE | | - |
| 11 | 72132 | 4 | HEXAGONAL SCREW M 8*25 DIN 933 ZN | | - |
| 12 | 64985 | 2 | GROMMET F19/13/10,S=5H=11 | | - |
| 13 | A435077 | 1 | WEATHER STRIP DOOR CAB GT | | - |
| 14 | A434951 | 1 | HINGE LOWER, DOOR CAB GT | | - |
| 15 | A412327 | 4 | RUBBER WASHER | | - |
| 16 | 73322 | 2 | HEXAGONAL SCREW M12*40 DIN 931 | | - |
| 17 | 72324 | 2 | HEXAGONAL NUT M 12 NYLOC DIN 985 | | - |
| 18 | A435102 | 1 | RUBBER PLATE, LOWER, DOOR CAB GT | | - |
| 19 | 72320 | 2 | HEXAGONAL NUT M8 NYLOC DIN 985 | | - |
| 20 | A439829 | 2 | HEXAGONAL HEAD SCREW M8*30 10.9 2 | | - |
| 21 | A440993 | 1 | RUBBER PLUG D29/D25,8 H12 60SH | | - |
| 22 | A453884 | 1 | BRACKET | | - |

23.1.2024

A453489 UPHOLSTERY ASSEMBLY CAB GT



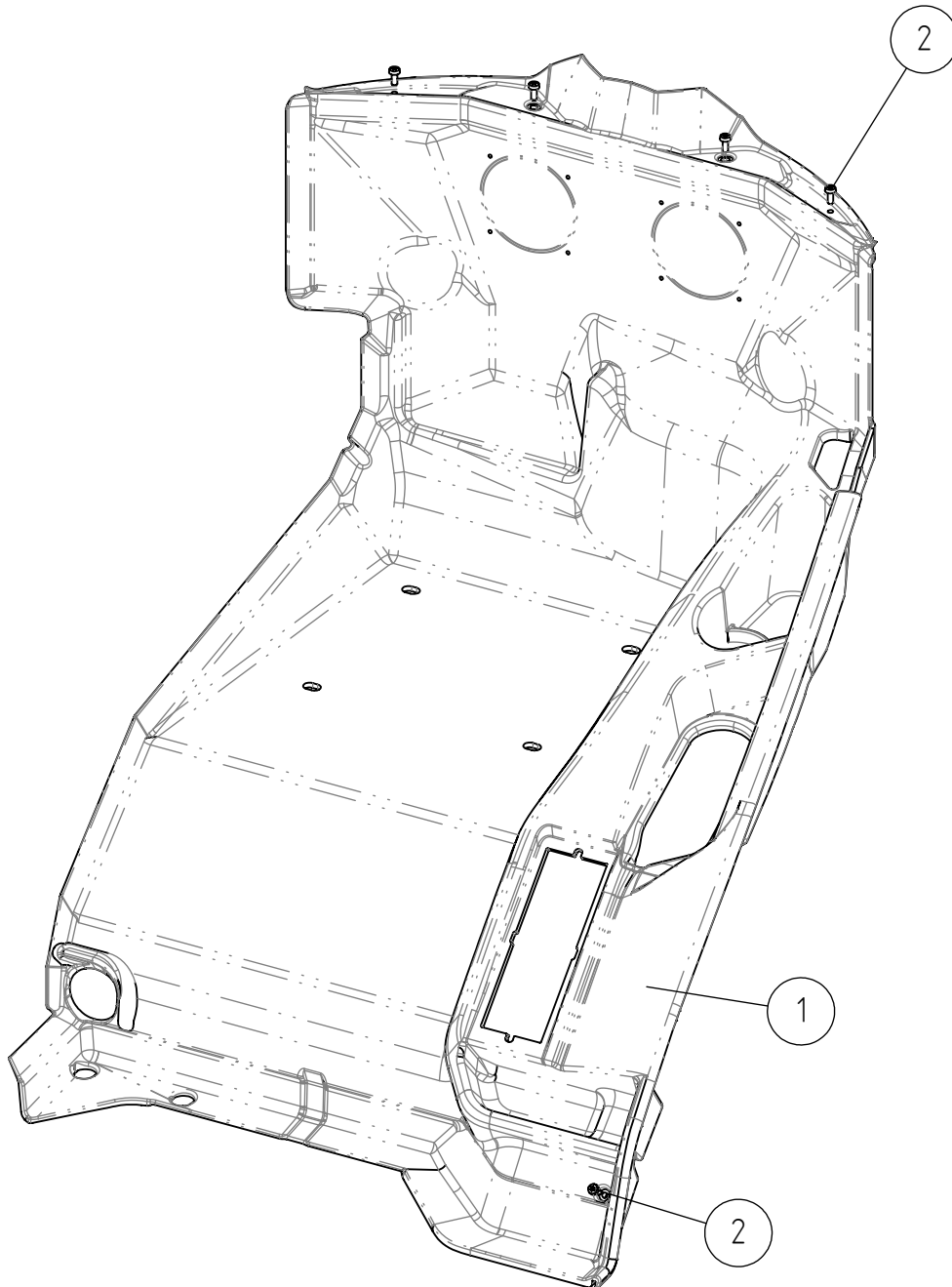
23.1.2024

A453489 UPHOLSTERY ASSEMBLY CAB GT

| REF | PART NO | QTY | DESCRIPTION | NOTES | PAGE |
|-----|---------|-----|------------------------------------|-------|------|
| 1 | A434208 | 1 | FLOOR MAT ASSEMBLY CAB GT | | 148 |
| 2 | A436615 | 1 | HEAT SHIELD ASSEMBLY CAB GT | | 150 |
| 3 | A436754 | 1 | B-PILLARS CAB GT | | 152 |
| 4 | A436635 | 1 | AIR DUCTS ASSEMBLY CAB GT | | 154 |
| 5 | A434410 | 1 | SERVICE HATCH ASSEMBLY CAB GT | | 156 |
| 6 | A438892 | 1 | UPHOLSTERY ASSEMBLY CEILING CAB GT | | 158 |
| 7 | A438887 | 1 | SUN VISOR ASSEMBLY CAB GT | | 160 |
| 8 | A438452 | 1 | NET POCKET ASSEMBLY CAB GT | | 162 |
| 9 | A438443 | 1 | NET POCKET REAR ASSEMBLY CAB GT | | 164 |

23.1.2024

A434208 FLOOR MAT ASSEMBLY CAB GT



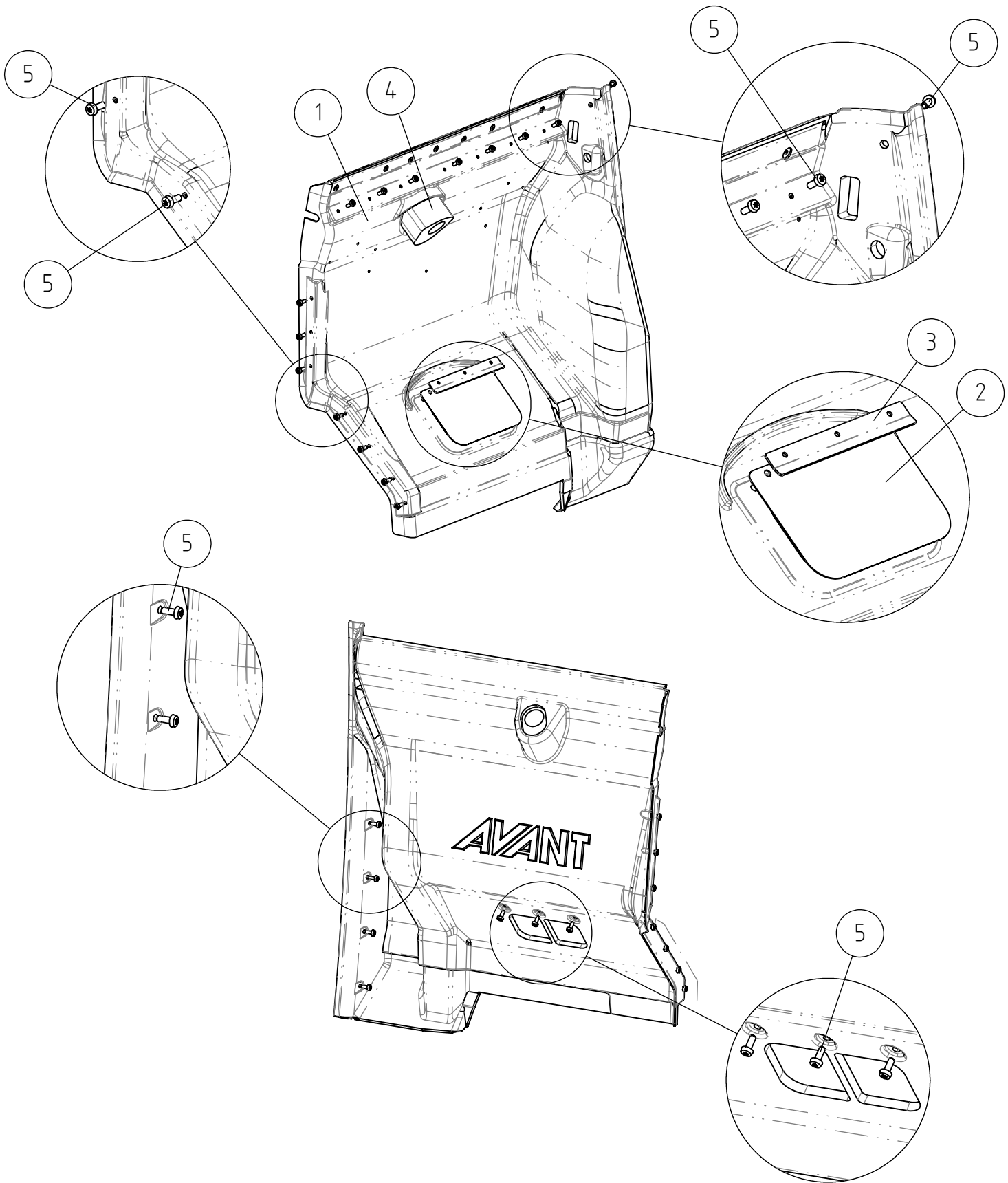
23.1.2024

A434208 FLOOR MAT ASSEMBLY CAB GT

| REF | PART NO | QTY | DESCRIPTION | NOTES | PAGE |
|-----|---------|-----|--------------------------------------|-------|------|
| 1 | A434207 | 1 | | | - |
| 2 | 75129 | 5 | THREAD-FORMING SCREW M6*16 DIN 7500C | | - |

23.1.2024

A436615 HEAT SHIELD ASSEMBLY CAB GT



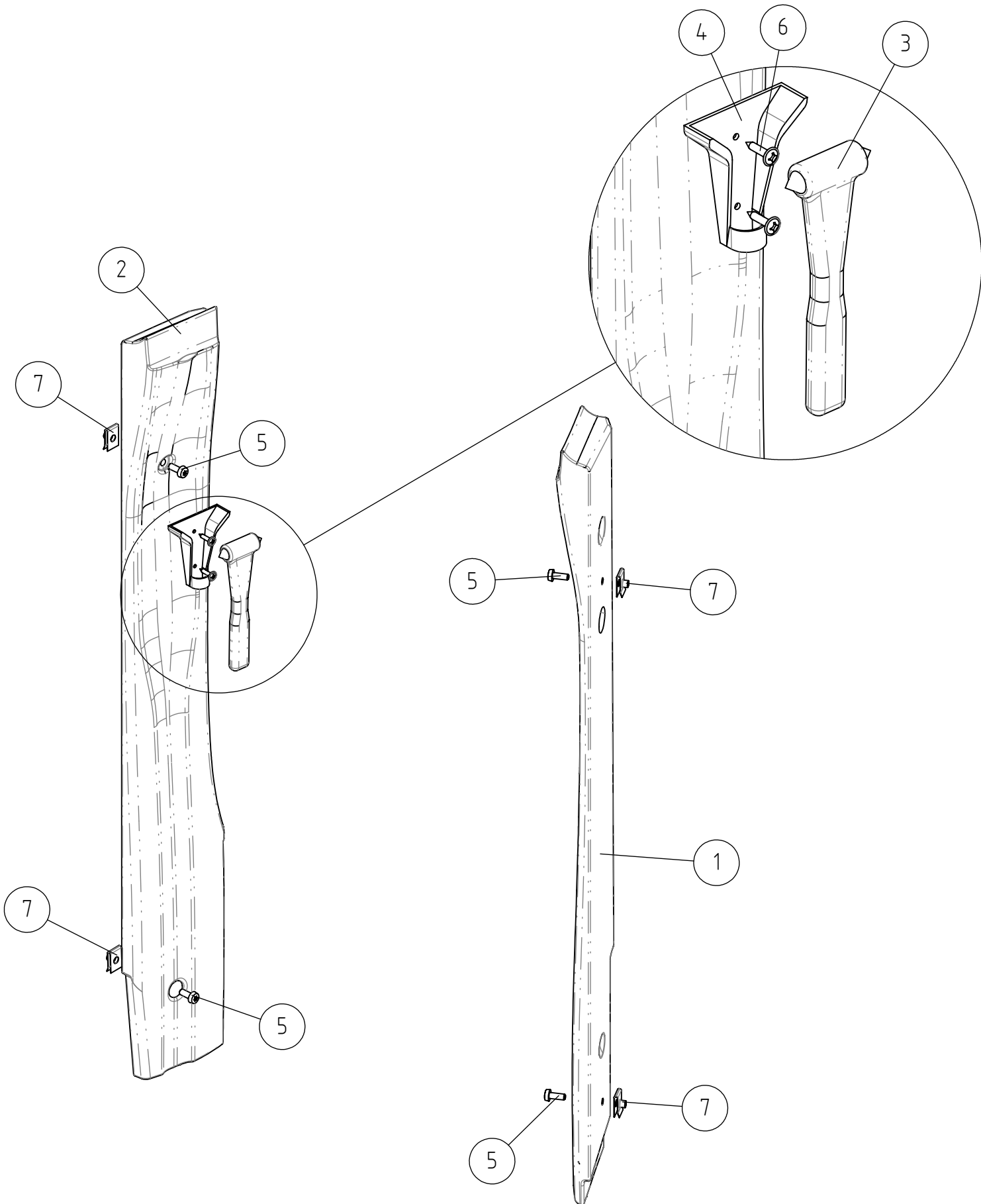
23.1.2024

A436615 HEAT SHIELD ASSEMBLY CAB GT

| REF | PART NO | QTY | DESCRIPTION | NOTES | PAGE |
|-----|---------|-----|--------------------------------------|-------|------|
| 1 | A434678 | 1 | HEAT SHIELD CAB GT | | - |
| 2 | A436879 | 1 | | | - |
| 3 | A436880 | 1 | | | - |
| 4 | A439956 | 1 | | | - |
| 5 | 75129 | 22 | THREAD-FORMING SCREW M6*16 DIN 7500C | | - |

23.1.2024

A436754 B-PILLARS CAB GT



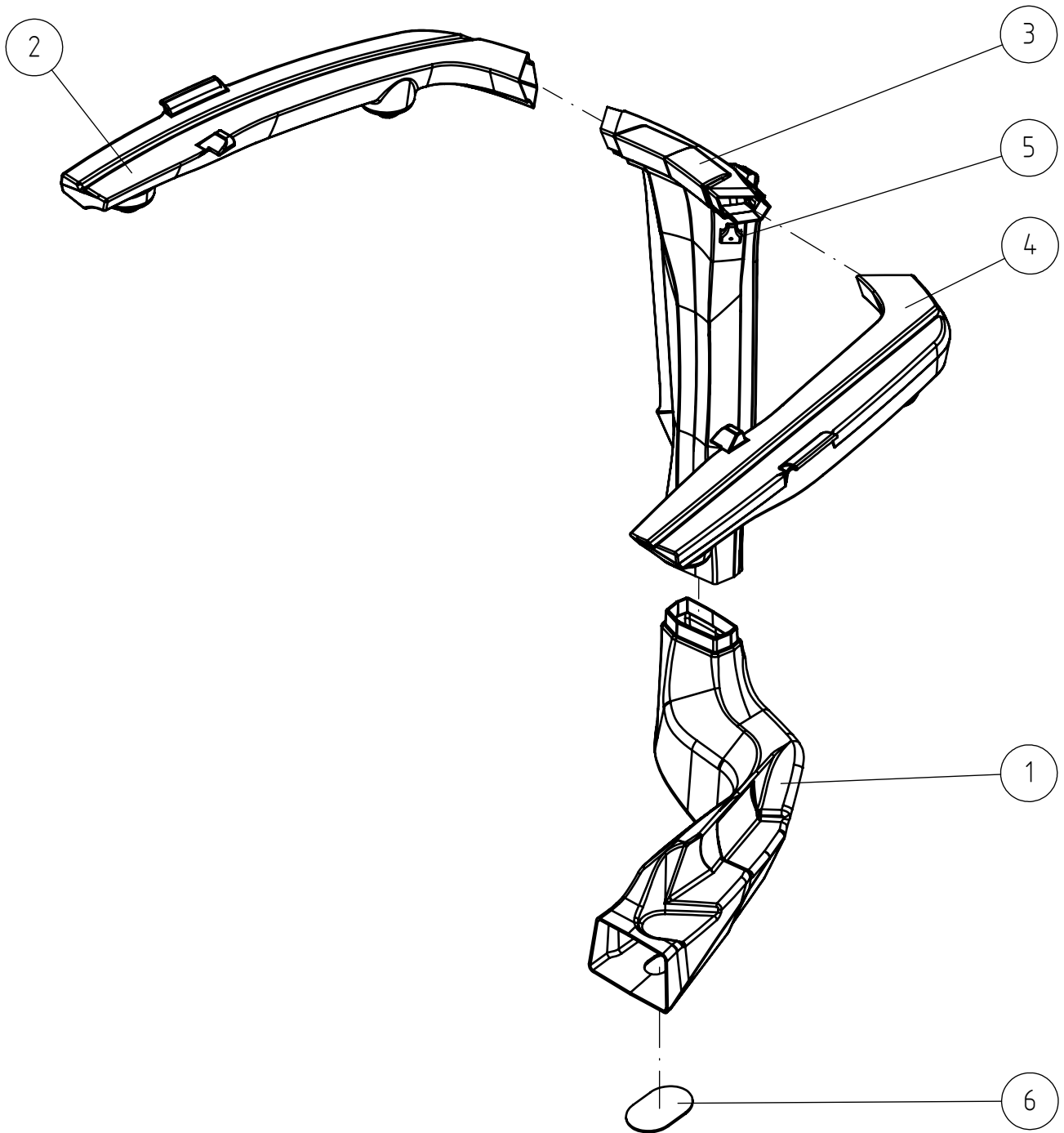
23.1.2024

A436754 B-PILLARS CAB GT

| REF | PART NO | QTY | DESCRIPTION | NOTES | PAGE |
|-----|---------|-----|--------------------------------------|-------|------|
| 1 | A436420 | 1 | | | - |
| 2 | A436524 | 1 | | | - |
| 3 | 64986 | 1 | EMERGENCY HAMMER HAPPICH RED | | - |
| 4 | 64987 | 1 | BRACKET, EMERGENCY HAMMER | | - |
| 5 | 75129 | 4 | THREAD-FORMING SCREW M6*16 DIN 7500C | | - |
| 6 | A431729 | 2 | PAN HEAD MACHINE SCREW M3,9*19 | | - |
| 7 | 74807 | 4 | SPEED NUT M6, FOR 0.5-4.0 MM PLATE | | - |

23.1.2024

A436635 AIR DUCTS ASSEMBLY CAB GT



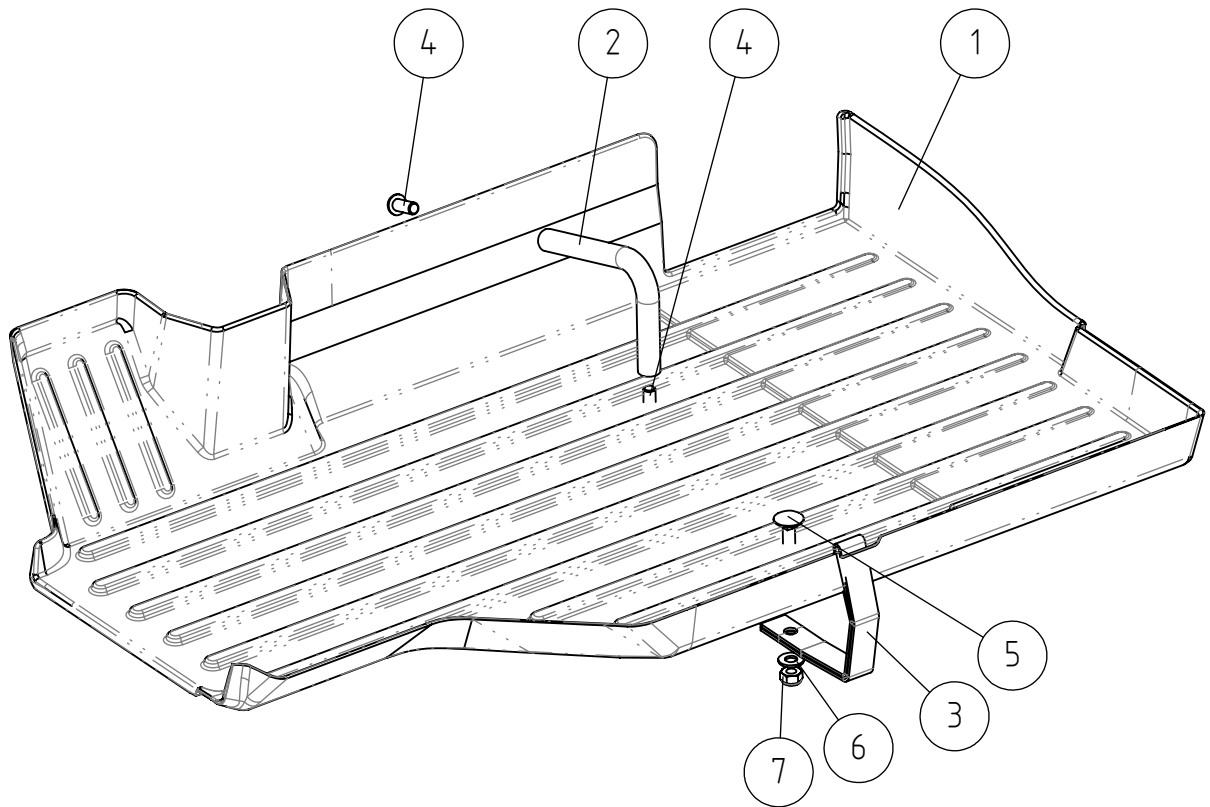
23.1.2024

A436635 AIR DUCTS ASSEMBLY CAB GT

| REF | PART NO | QTY | DESCRIPTION | NOTES | PAGE |
|-----|---------|-----|-------------------------------|-------|------|
| 1 | A436413 | 1 | AIR DUCT LOWER CAB GT | | - |
| 2 | A436415 | 1 | AIR DUCT CEILING RIGHT CAB GT | | - |
| 3 | A436479 | 1 | AIR DUCT VERTICAL CAB GT | | - |
| 4 | A436417 | 1 | AIR DUCT CEILING LEFT CAB GT | | - |
| 5 | 65072 | 1 | COAT HOOK HAPPICH BLACK | | - |
| 6 | A439839 | 1 | COVER PLATE AIR DUCT CAB GT | | - |

23.1.2024

A434410 SERVICE HATCH ASSEMBLY CAB GT



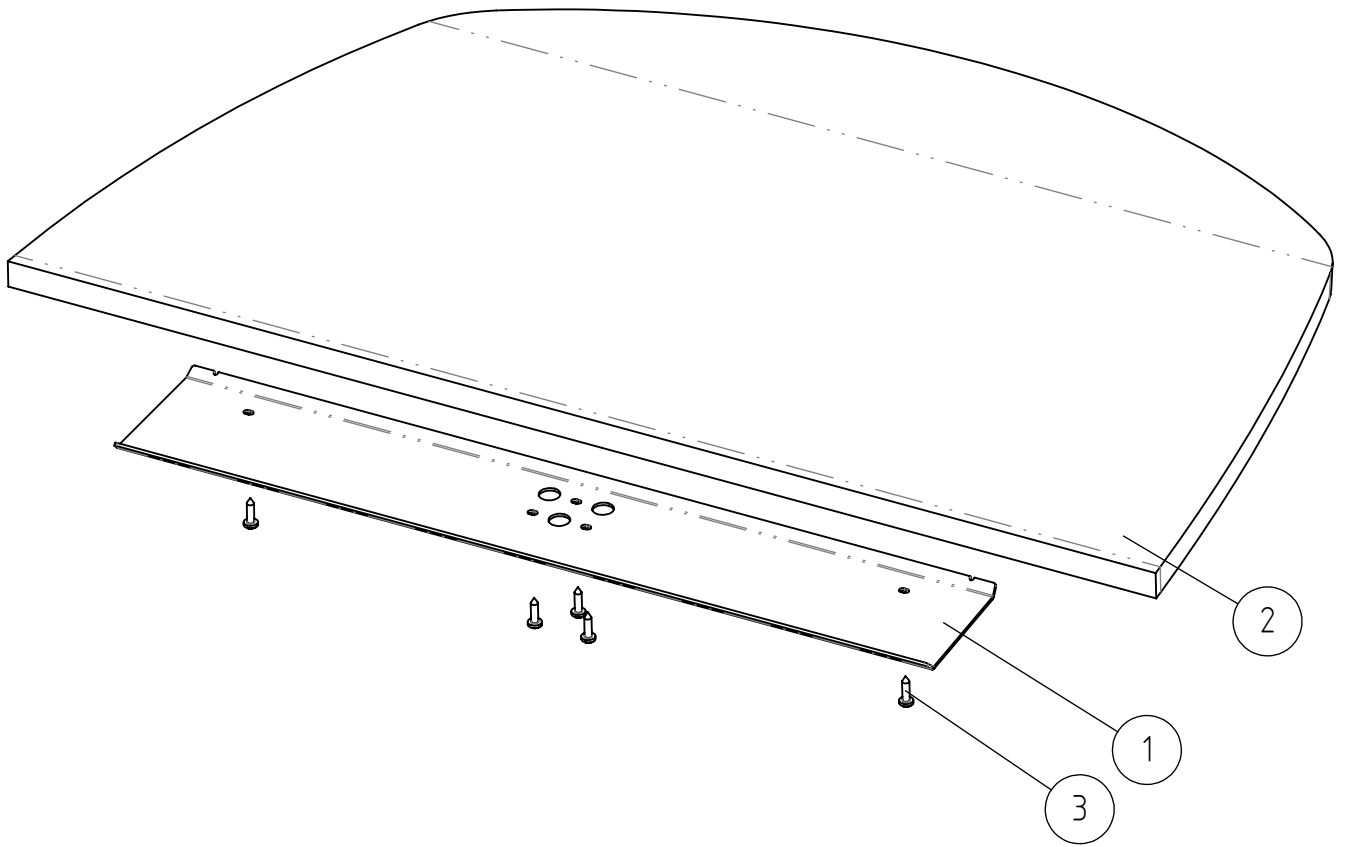
23.1.2024

A434410 SERVICE HATCH ASSEMBLY CAB GT

| REF | PART NO | QTY | DESCRIPTION | NOTES | PAGE |
|-----|---------|-----|---|-------|------|
| 1 | A437490 | 1 | SERVICE HATCH CAB GT | | - |
| 2 | A438964 | 1 | | | - |
| 3 | A436742 | 1 | | | - |
| 4 | 75152 | 2 | BUTTON HEAD SOCKET CAP SCREW M8*20 10.9 | | - |
| 5 | 74836 | 1 | CARRIAGE BOLT M8*20 | | - |
| 6 | 73122 | 1 | WASHER M8 A8,4 DIN 125 ZN | | - |
| 7 | 72320 | 1 | HEXAGONAL NUT M8 NYLOC DIN 985 | | - |

23.1.2024

A438892 UPHOLSTERY ASSEMBLY CEILING CAB GT



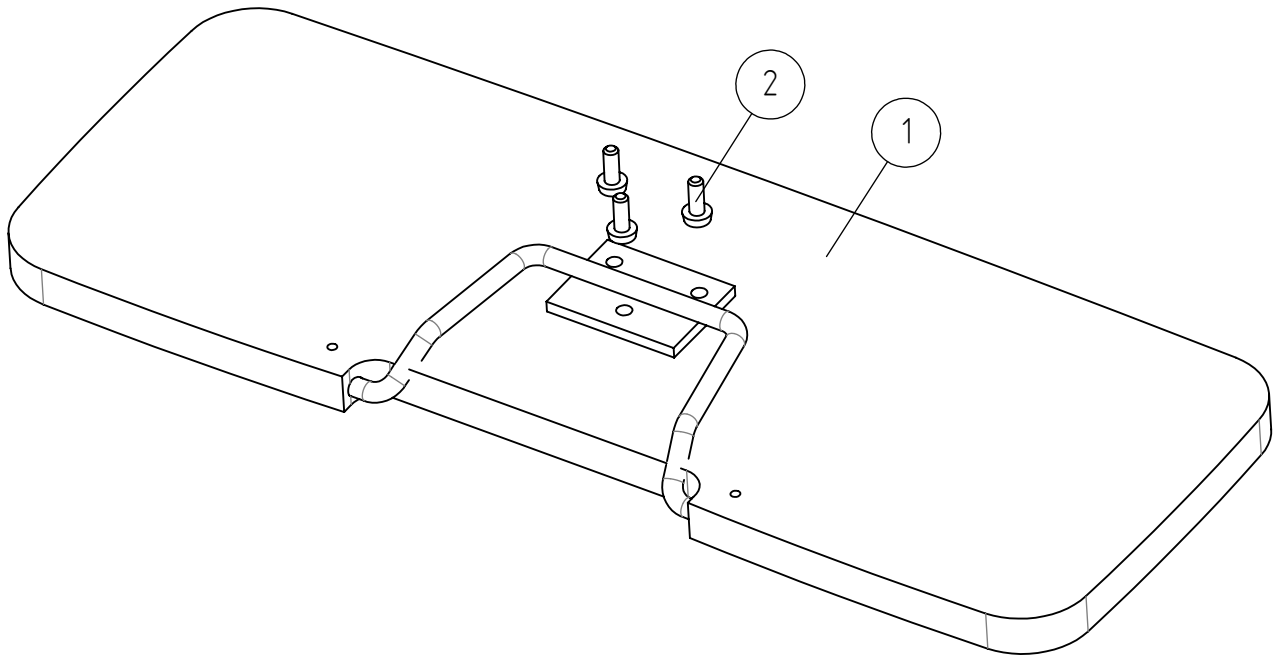
23.1.2024

A438892 UPHOLSTERY ASSEMBLY CEILING CAB GT

| REF | PART NO | QTY | DESCRIPTION | NOTES | PAGE |
|-----|---------|-----|---------------------------|-------|------|
| 1 | A434346 | 1 | UPHOLSTERY PLATE CAB GT | | - |
| 2 | A436244 | 1 | UPHOLSTERY CEILING CAB GT | | - |
| 3 | A463689 | 5 | | | - |

23.1.2024

A438887 SUN VISOR ASSEMBLY CAB GT



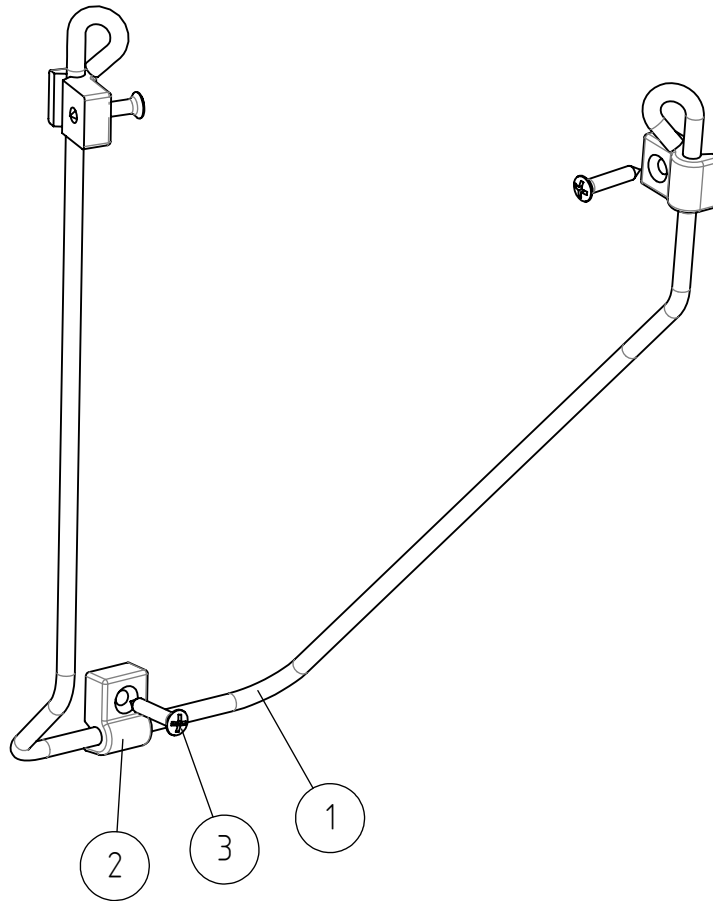
23.1.2024

A438887 SUN VISOR ASSEMBLY CAB GT

| REF | PART NO | QTY | DESCRIPTION | NOTES | PAGE |
|-----|---------|-----|--------------------------------------|-------|------|
| 1 | A438885 | 1 | SUN VISOR 500X183 BLACK | | - |
| 2 | A437544 | 3 | THREAD-FORMING SCREW BLACK M6*16 DIN | | - |

23.1.2024

A438452 NET POCKET ASSEMBLY CAB GT



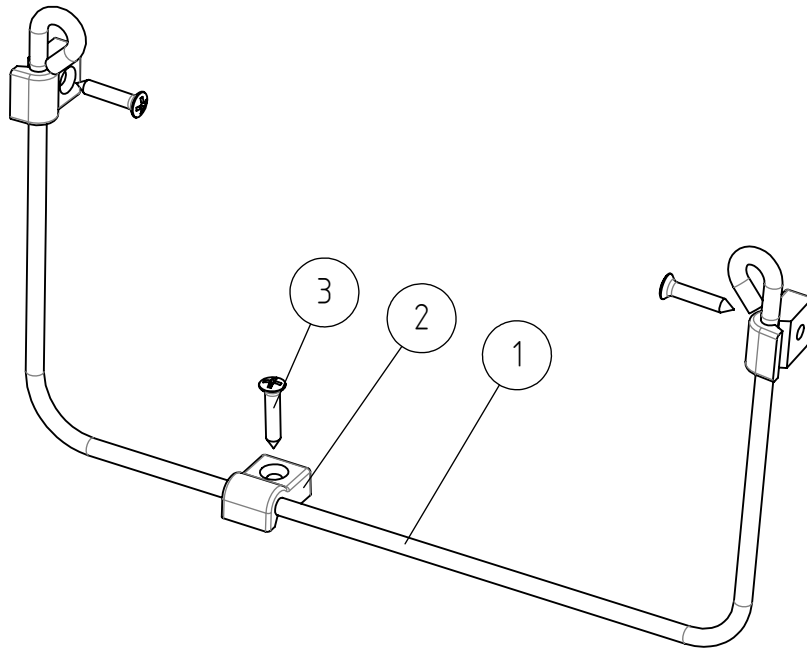
23.1.2024

A438452 NET POCKET ASSEMBLY CAB GT

| REF | PART NO | QTY | DESCRIPTION | NOTES | PAGE |
|-----|---------|-----|-------------------------------------|-------|------|
| 1 | A438448 | 1 | NET POCKET CAB GT | | - |
| 2 | A438436 | 3 | MOUNTING BRACKET NET POCKET CAB GT | | - |
| 3 | A438444 | 3 | TAPPING SCREW 3,9/7,5 X 20 DIN 7983 | | - |

23.1.2024

A438443 NET POCKET REAR ASSEMBLY CAB GT

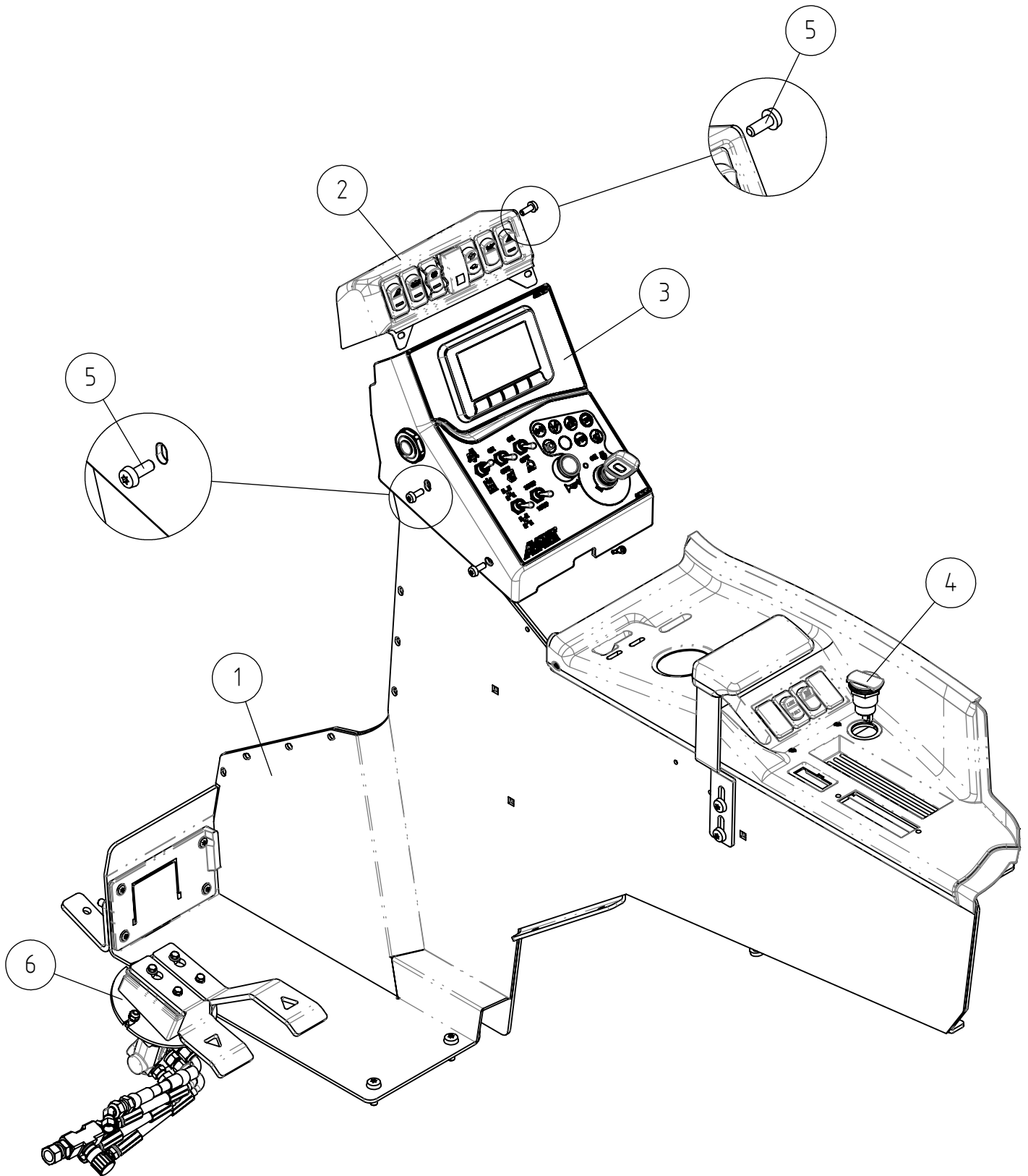


23.1.2024

A438443 NET POCKET REAR ASSEMBLY CAB GT

| REF | PART NO | QTY | DESCRIPTION | NOTES | PAGE |
|-----|---------|-----|-------------------------------------|-------|------|
| 1 | A438434 | 1 | | | - |
| 2 | A438436 | 3 | MOUNTING BRACKET NET POCKET CAB GT | | - |
| 3 | A438444 | 3 | TAPPING SCREW 3,9/7,5 X 20 DIN 7983 | | - |

A448127 CONTROLS ASSEMBLY CAB GT



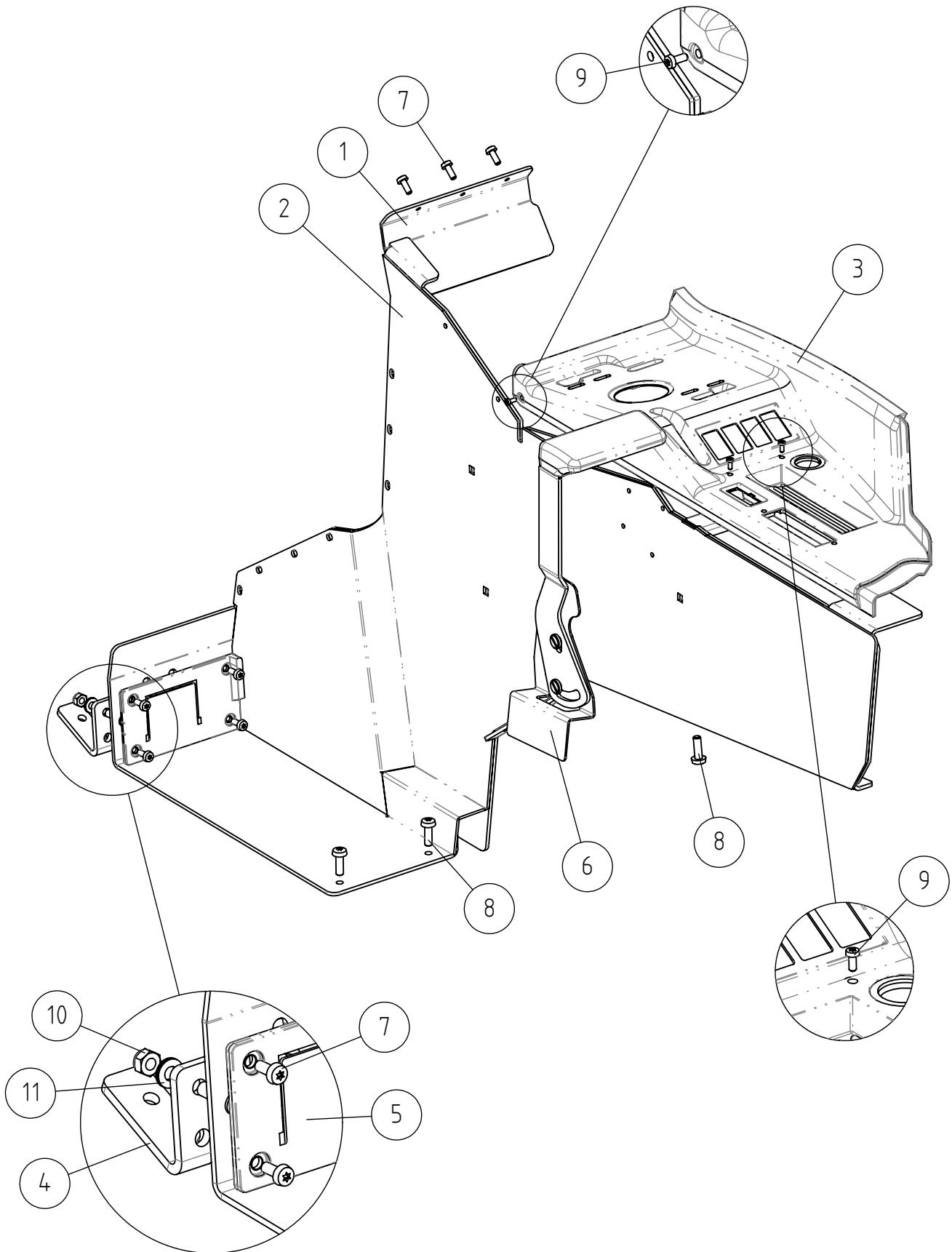
23.1.2024

A448127 CONTROLS ASSEMBLY CAB GT

| REF | PART NO | QTY | DESCRIPTION | NOTES | PAGE |
|------|---------|-----|--|-------|------|
| 1 | A465450 | 1 | | | 168 |
| 2 | A436212 | 1 | HOUSING SWITCHES ASSEMBLY CAB GT | | - |
| 3 | A436574 | 1 | DASHBOARD CAB GT / DLX | | 170 |
| 3.1 | A436098 | 1 | WIRE HARNESS DASHBOARD | | - |
| 3.2 | A425315 | 1 | INDICATOR LIGHTS DASHBOARD | | - |
| 3.3 | A440326 | 1 | ALARM BEEPER D28,5/D45 -H47 | | - |
| 3.4 | A436572 | 1 | PANEL ABS GAUGES CAB DLX | | - |
| 3.5 | 66156 | 1 | IGNITION SWITCH 12V/30A/60A IP65 COBO | | - |
| 3.6 | A442322 | 1 | ROCKER SWITCH ON-OFF-MOM 3-POLE | | - |
| 3.7 | A443283 | 4 | TOGGLE SWITCH ON-OFF 2-POLE | | - |
| 3.8 | 64074 | 1 | PUSH BUTTON F22,5 SIGNAL HORN | | - |
| 3.9 | A436674 | 1 | MOUNTING FRAME ASSEMBLY SWITCH PANEL CAB | | - |
| 3.10 | A436642 | 1 | MOUNTING FRAME ASSEMBLY DISPLAY CAB | | - |
| 4 | A436424 | 1 | OUTLET 12V/20A WITH COVER | | - |
| 5 | 75129 | 3 | THREAD-FORMING SCREW M6*16 DIN 7500C | | - |
| 6 | A449873 | 1 | DRIVE PEDAL ASSEMBLY CAB GT | | - |

23.1.2024

A465450



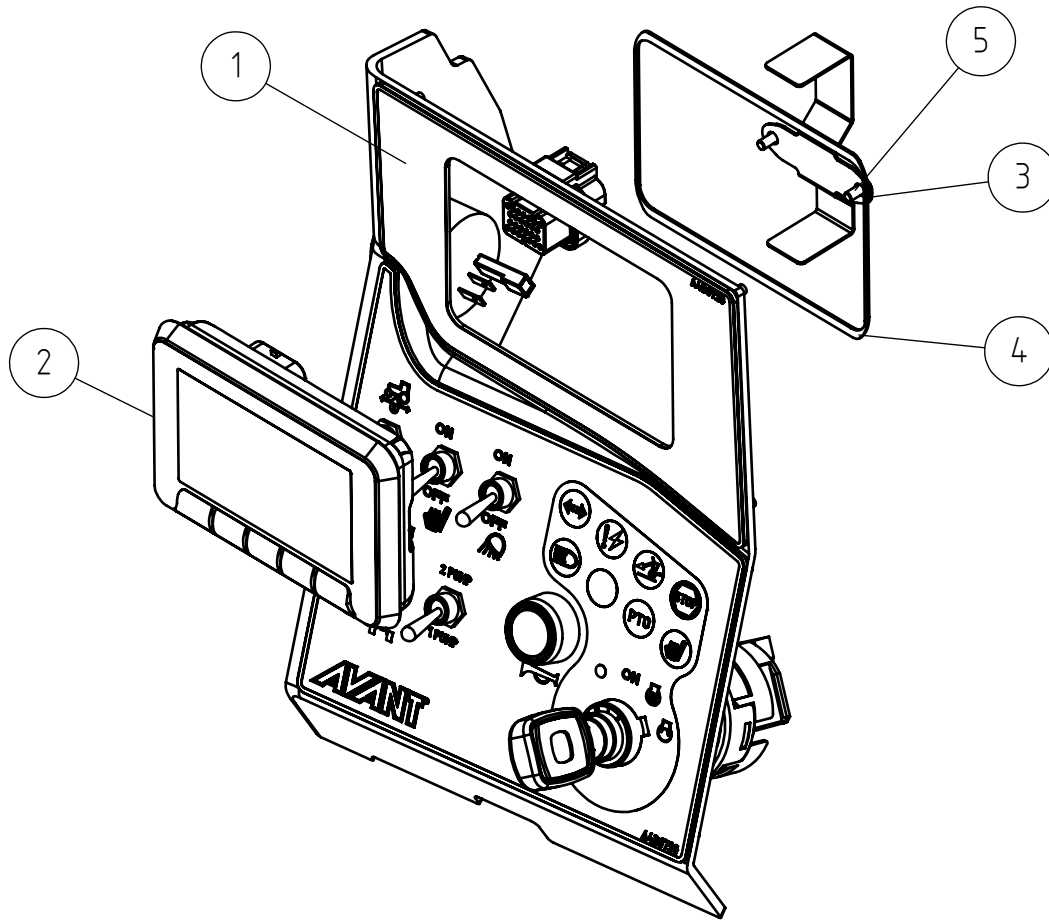
23.1.2024

A465450

| REF | PART NO | QTY | DESCRIPTION | NOTES | PAGE |
|-----|---------|-----|---|-------|------|
| 1 | A449855 | 1 | MOUNTING PLATE CONTROL VALVE CAB GT | | - |
| 2 | A449863 | 1 | MOUNTING PLATE CONTROL VALVE WITH | | - |
| 3 | A436540 | 1 | INSTRUMENT PANEL CAB GT | | - |
| 4 | A449818 | 1 | MOUNTING PLATE DRIVE PEDAL CAB GT | | - |
| 5 | A434607 | 1 | SEALING PLATE ASSEMBLY DRIVE PEDALS CAB | | - |
| 6 | A454221 | 1 | ARMREST RIGHT CAB GT | | - |
| 7 | 75129 | 7 | THREAD-FORMING SCREW M6*16 DIN 7500C | | - |
| 8 | 75128 | 3 | THREAD-FORMING SCREW M8*25 DIN 7500C | | - |
| 9 | A438375 | 3 | | | - |
| 10 | 72320 | 2 | HEXAGONAL NUT M8 NYLOC DIN 985 | | - |
| 11 | 63944 | 2 | WASHER, PAIR, NORD-LOCK M8 | | - |

23.1.2024

A436574 DASHBOARD CAB GT / DLX



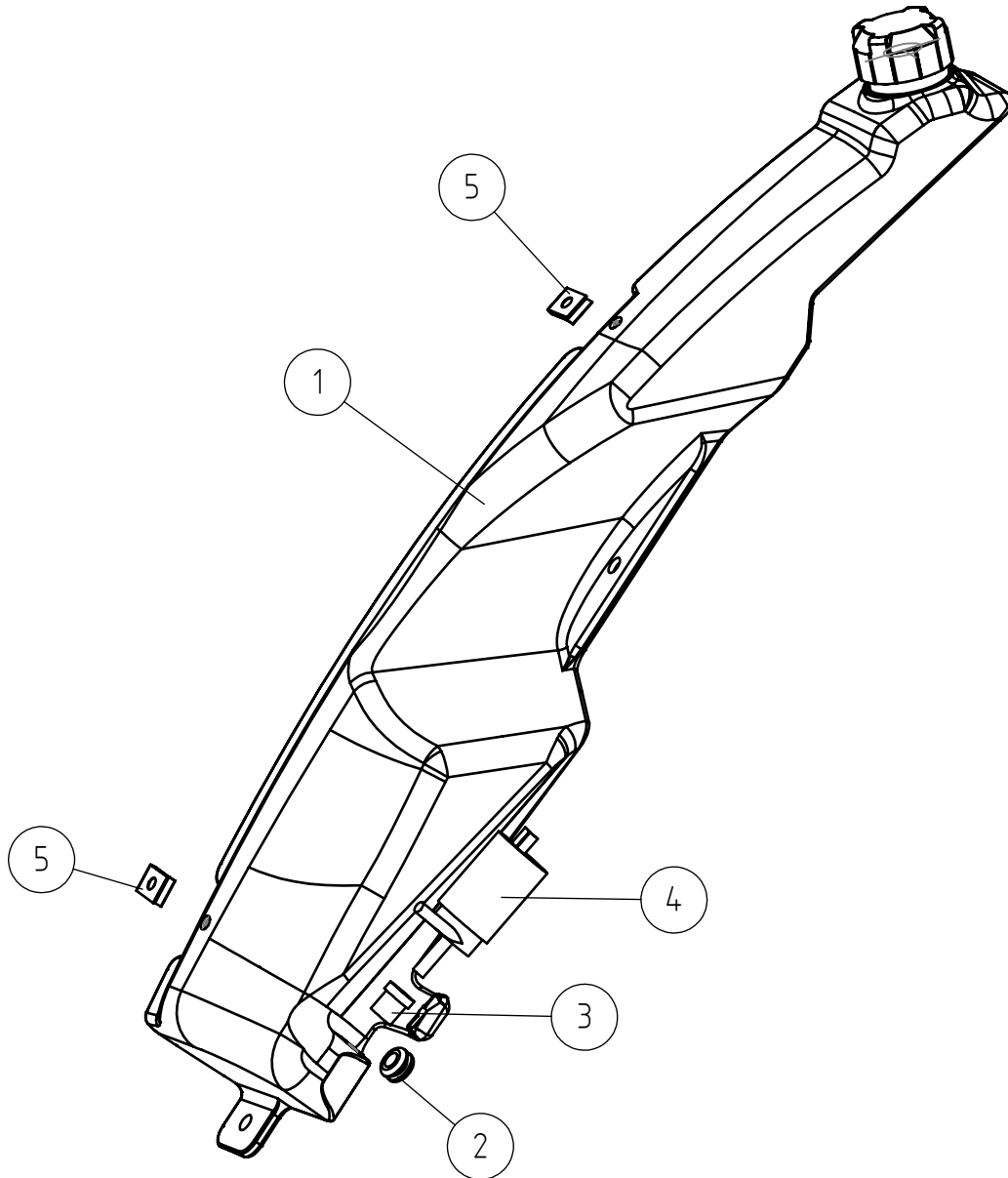
23.1.2024

A436574 DASHBOARD CAB GT / DLX

| REF | PART NO | QTY | DESCRIPTION | NOTES | PAGE |
|-----|---------|-----|--|-------|------|
| 1 | A456501 | 1 | DASHBOARD WITHOUT DISPLAY CAB GT | | - |
| 2 | A428466 | 1 | DISPLAY 4,3" COLOUR LED | | - |
| 3 | A423587 | 1 | MOUNTING PLATE, DISPLAY | | - |
| 4 | A436780 | 1 | GROUNDING FRAME CANVIEW4 GAUGE PANEL | | - |
| 5 | A431502 | 2 | PAN HEAD MACHINE SCREW M4*8 | | - |
| - | A436098 | 1 | WIRE HARNESS DASHBOARD | | - |
| - | A425315 | 1 | INDICATOR LIGHTS DASHBOARD | | - |
| - | A440326 | 1 | ALARM BEEPER D28,5/D45 -H47 | | - |
| - | A436572 | 1 | PANEL ABS GAUGES CAB DLX | | - |
| - | 66156 | 1 | IGNITION SWITCH 12V/30A/60A IP65 COBO | | - |
| - | A442322 | 1 | ROCKER SWITCH ON-OFF-MOM 3-POLE | | - |
| - | A443283 | 4 | TOGGLE SWITCH ON-OFF 2-POLE | | - |
| - | 64074 | 1 | PUSH BUTTON F22,5 SIGNAL HORN | | - |
| - | A436674 | 1 | MOUNTING FRAME ASSEMBLY SWITCH PANEL CAB | | - |
| - | A436642 | 1 | MOUNTING FRAME ASSEMBLY DISPLAY CAB | | - |

23.1.2024

A446010 TANK ASSEMBLY WINDSCREEN WASHER



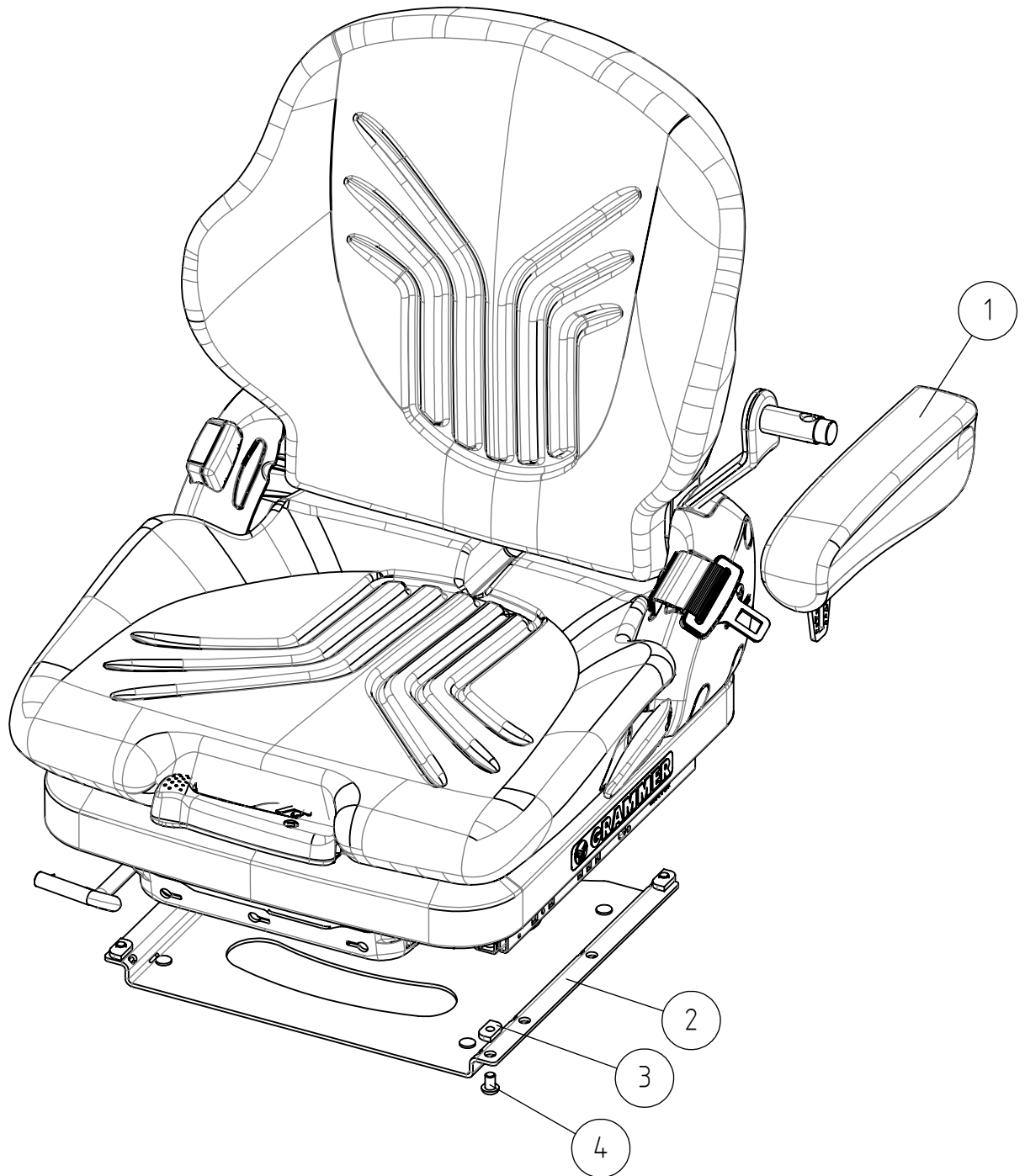
23.1.2024

A446010 TANK ASSEMBLY WINDSCREEN WASHER

| REF | PART NO | QTY | DESCRIPTION | NOTES | PAGE |
|-----|---------|-----|------------------------------------|-------|------|
| 1 | A450244 | 1 | TANK WITH CAP WINDSCREEN WASHER | | - |
| 2 | 64865 | 1 | GROMMET F18/12/9,51-3 | | - |
| 3 | 64991 | 1 | GROMMET F18/14/6, H14/H5 ,2012306 | | - |
| 4 | 65017 | 1 | PUMP 12V, WINDSCREEN WASHER | | - |
| 5 | 74807 | 2 | SPEED NUT M6, FOR 0.5-4.0 MM PLATE | | - |

23.1.2024

A449724 SEAT FULL SUSPENSION FABRIC HEATER MSG65



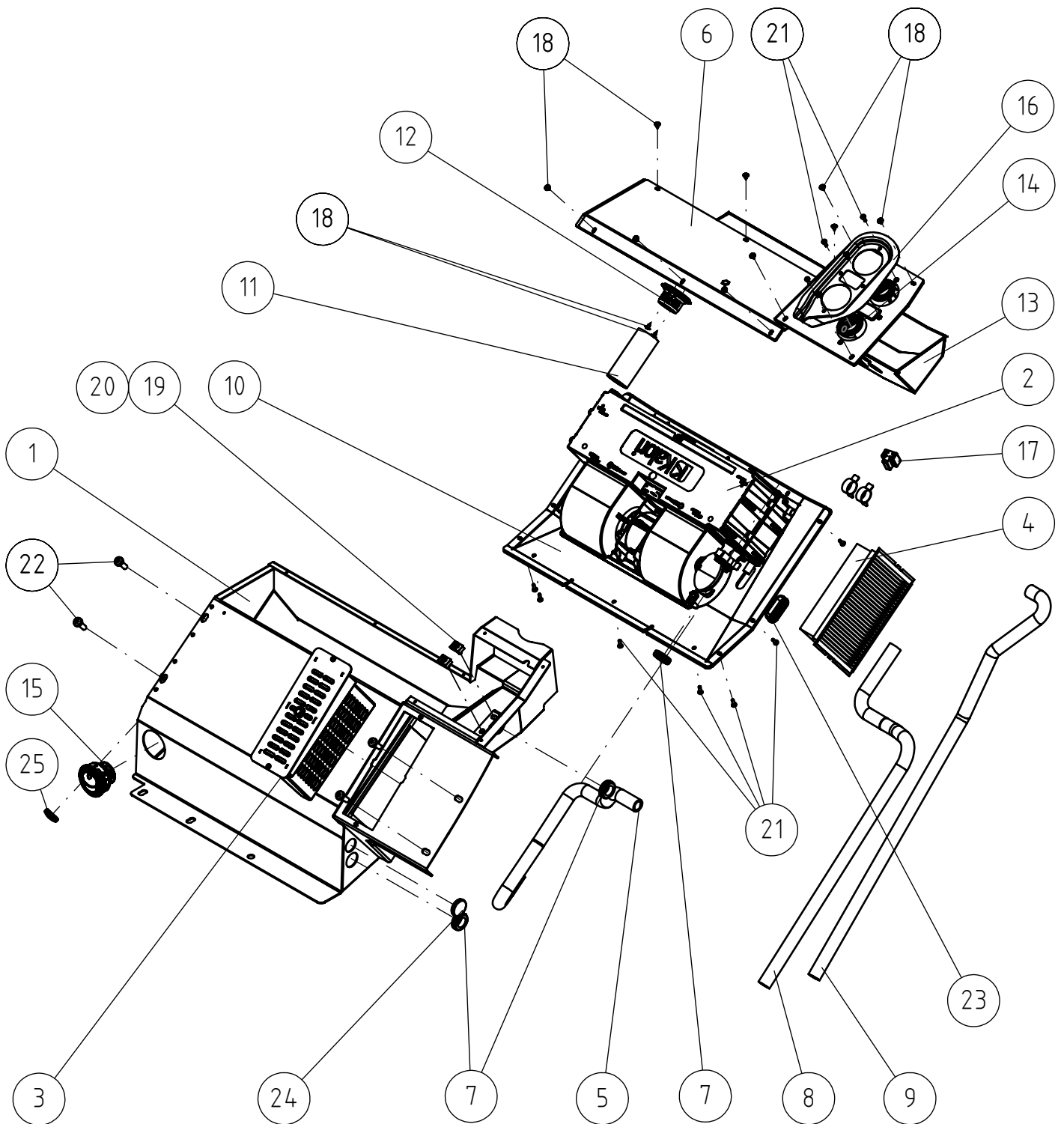
23.1.2024

A449724 SEAT FULL SUSPENSION FABRIC HEATER MSG65

| REF | PART NO | QTY | DESCRIPTION | NOTES | PAGE |
|-----|---------|-----|---|-------|------|
| 1 | A452237 | 1 | ARMREST LEFT, SEAT GRAMMER MSG65 | | - |
| 2 | A454836 | 1 | | | - |
| 3 | A438059 | 4 | SLIDING NUT M8 | | - |
| 4 | 75131 | 4 | BUTTON HEAD SOCKET CAP SCREW M8*12 10.9 | | - |

23.1.2024

A438246 HEATER ASSEMBLY CAB GT



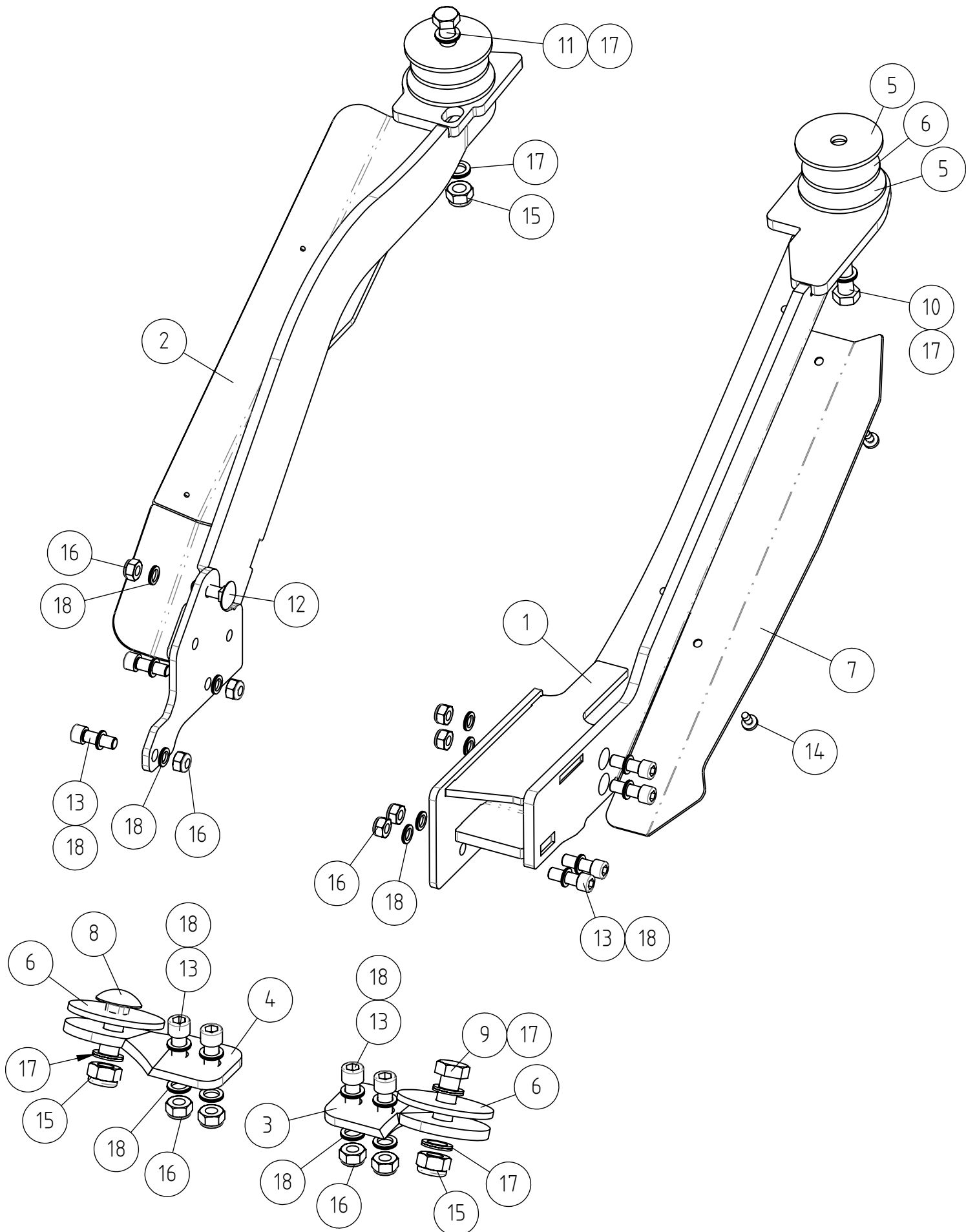
23.1.2024

A438246 HEATER ASSEMBLY CAB GT

| REF | PART NO | QTY | DESCRIPTION | NOTES | PAGE |
|-----|---------|-----|---------------------------------------|-------|------|
| 1 | A434046 | 1 | HOUSING, HEATER CAB GT | | - |
| 2 | A438010 | 1 | HEATER CAB GT KOOL E 12V | | - |
| 3 | A434672 | 1 | HOUSING AIR FILTER CAB | | - |
| 4 | A422597 | 1 | AIR FILTER CARTRIDGE CAB | | - |
| 5 | A434090 | 1 | HOSE HEATER CAB GT | | - |
| 6 | A438253 | 1 | COVER PLATE HEATER CHANNEL CAB GT | | - |
| 7 | A434302 | 3 | GROMMET F32/25/19 60SH | | - |
| 8 | A434303 | 1 | INLET HOSE HEATER CAB GT | | - |
| 9 | A434304 | 1 | RETURN HOSE HEATER CAB GT | | - |
| 10 | A436401 | 1 | LID HEATER CAB GT | | - |
| 12 | A436387 | 1 | HOSE FITTING 40MM | | - |
| 13 | A438219 | 1 | ISOLATION PLATE HEATER CHANNEL CAB GT | | - |
| 14 | 65514 | 1 | THERMOSTAT, HEATER, CAB | | - |
| 15 | A436549 | 1 | NOZZLE 60MM AIR FLOW CAB GT | | - |
| 16 | A437682 | 1 | FRAME, HEATER ADJUSTMENT KNOB CAB GT | | - |
| 17 | A436290 | 1 | WIRE HARNESS HEATER/AIRCON CAB GT | | - |
| 18 | A436550 | 12 | PAN HEAD MACHINE SCREW M3,9*9,5 | | - |
| 19 | 75172 | 2 | SPEED NUT M5 FOR 0.5-4.0 MM PLATE | | - |
| 20 | 74771 | 2 | PAN HEAD MACHINE SCREW M5* 25 | | - |
| 21 | A430277 | 16 | TORX SCREW M4*12 | | - |
| 22 | 75128 | 4 | THREAD-FORMING SCREW M8*25 DIN 7500C | | - |
| 23 | 65849 | 2 | PLUG OVAL 20X50 | | - |
| 24 | 66034 | 1 | RUBBER PLUG F35/F25-10 S=3 | | - |
| 25 | A438250 | 1 | RUBBER PLUG D28/D21 S=3 60SH | | - |
| 26 | A438229 | 4 | HOSE CLAMP D23 | | - |

23.1.2024

A442729



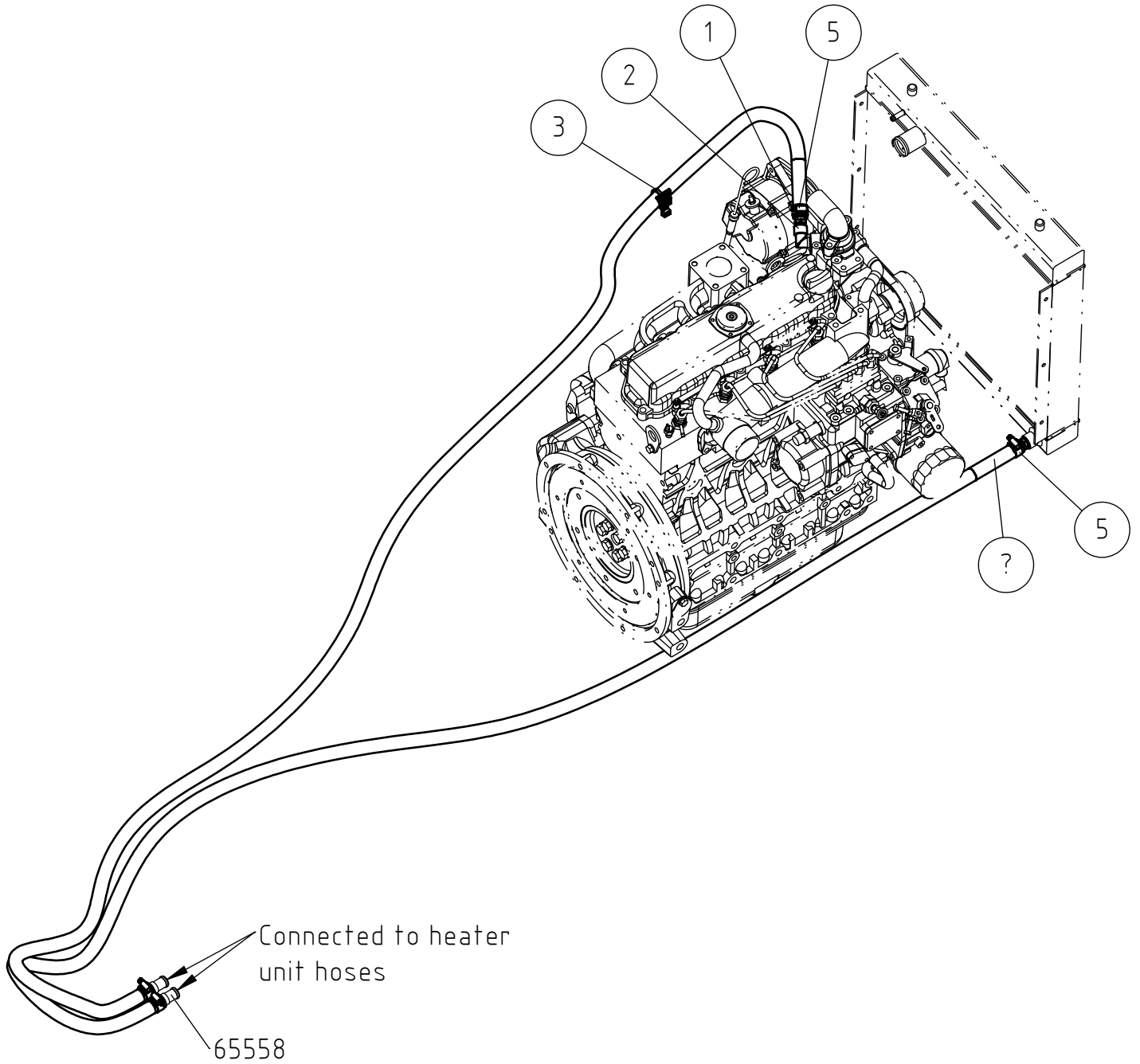
23.1.2024

A442729

| REF | PART NO | QTY | DESCRIPTION | NOTES | PAGE |
|-----|---------|-----|--|-------|------|
| 1 | A452292 | 1 | MOUNTING BRACKET LEFT SUBFRAME CAB GT | | - |
| 2 | A452289 | 1 | MOUNTING BRACKET RIGHT SUBFRAME CAB GT | | - |
| 3 | A445439 | 1 | MOUNTING PLATE LEFT CAB | | - |
| 4 | A445639 | 1 | MOUNTING PLATE RIGHT CAB | | - |
| 5 | A438392 | 4 | WASHER SUBFRAME CAB GT | | - |
| 6 | A442463 | 4 | | | - |
| 7 | A446409 | 1 | COVER PANEL LEFT SUBFRAME CAB GT | | - |
| 8 | 74404 | 1 | CARRIAGE BOLT M16*45 DIN603 | | - |
| 9 | 72192 | 1 | HEXAGONAL SCREW M16*45 DIN 933 | | - |
| 10 | 72193 | 1 | HEXAGONAL SCREW M16* 50 DIN 933 | | - |
| 11 | 73569 | 1 | HEXAGONAL SCREW M16* 60 DIN 933 | | - |
| 12 | 74915 | 1 | CARRIAGE BOLT M12*40 DIN603 | | - |
| 13 | 74876 | 10 | HEXAGONAL HEAD SCREW M12*35 DIN912 | | - |
| 14 | A465214 | 2 | | | - |
| 15 | 72330 | 3 | HEXAGONAL NUT M16 NYLOC DIN 985 | | - |
| 16 | 72324 | 11 | HEXAGONAL NUT M 12 NYLOC DIN 985 | | - |
| 17 | 74533 | 6 | WASHER, PAIR, M16 NL16 NORDLOCK | | - |
| 18 | 74532 | 21 | WASHER NORDLOCK NL12 | | - |

23.1.2024

A465346



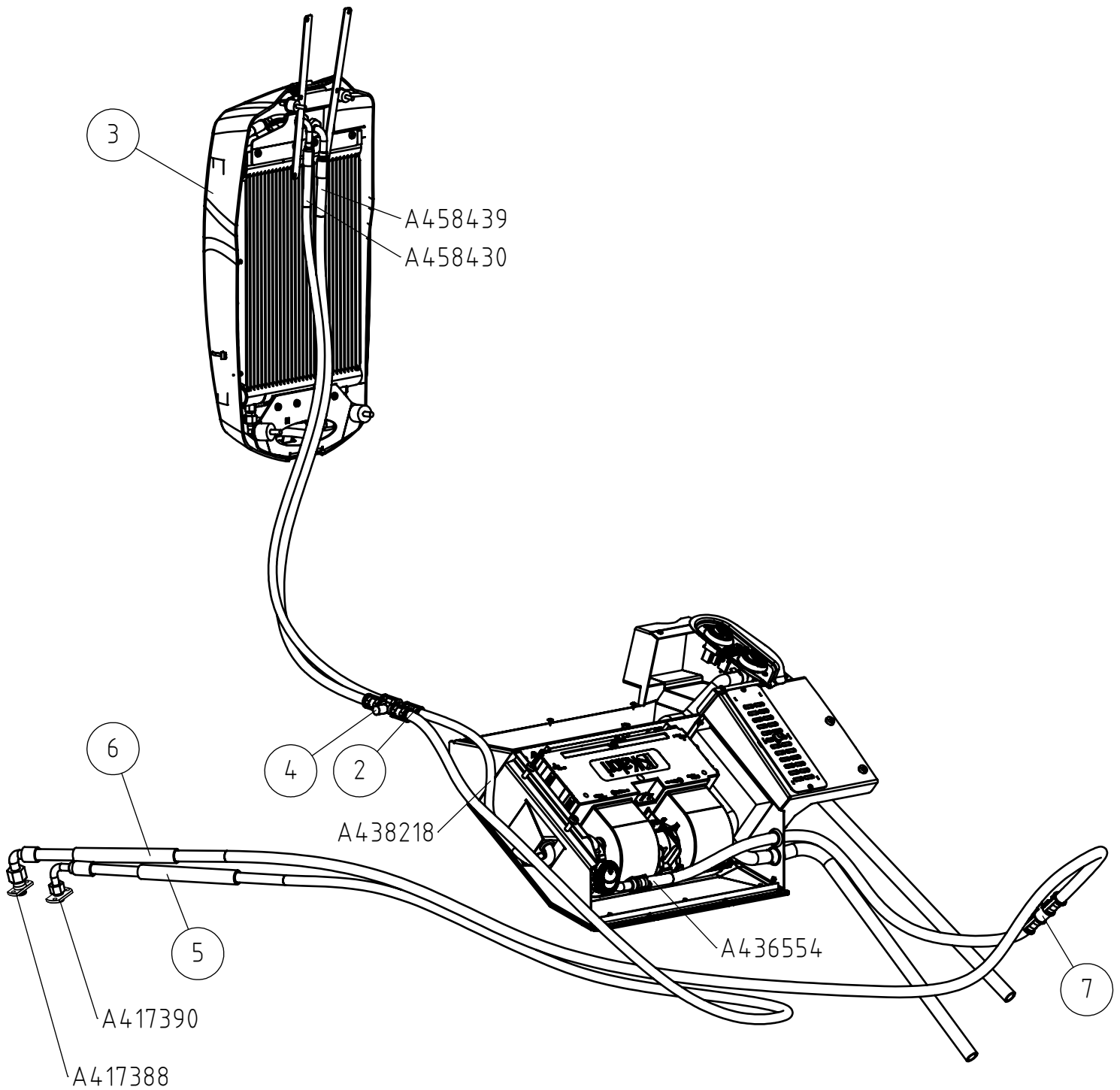
23.1.2024

A465346

| REF | PART NO | QTY | DESCRIPTION | NOTES | PAGE |
|-----|---------|-----|----------------------------------|-------|------|
| 1 | 64967 | 2 | HOSE BARB R3/8"UK - 16MM L=44 | | - |
| 2 | 65480 | 1 | ELBOW FITTING 90 DEGR. 22 38 38 | | - |
| 3 | A442639 | 1 | CABLE TIE 7,6*390 M6 BLACK | | - |
| 4 | A457826 | 2 | WATER HOSE L=2950 RADIATOR - CAB | | - |
| 5 | 64337 | 4 | HOSE CLAMP 19-28 MM ABA | | - |

23.1.2024

A450869 AIR CONDITIONING ASSEMBLY CAB GT



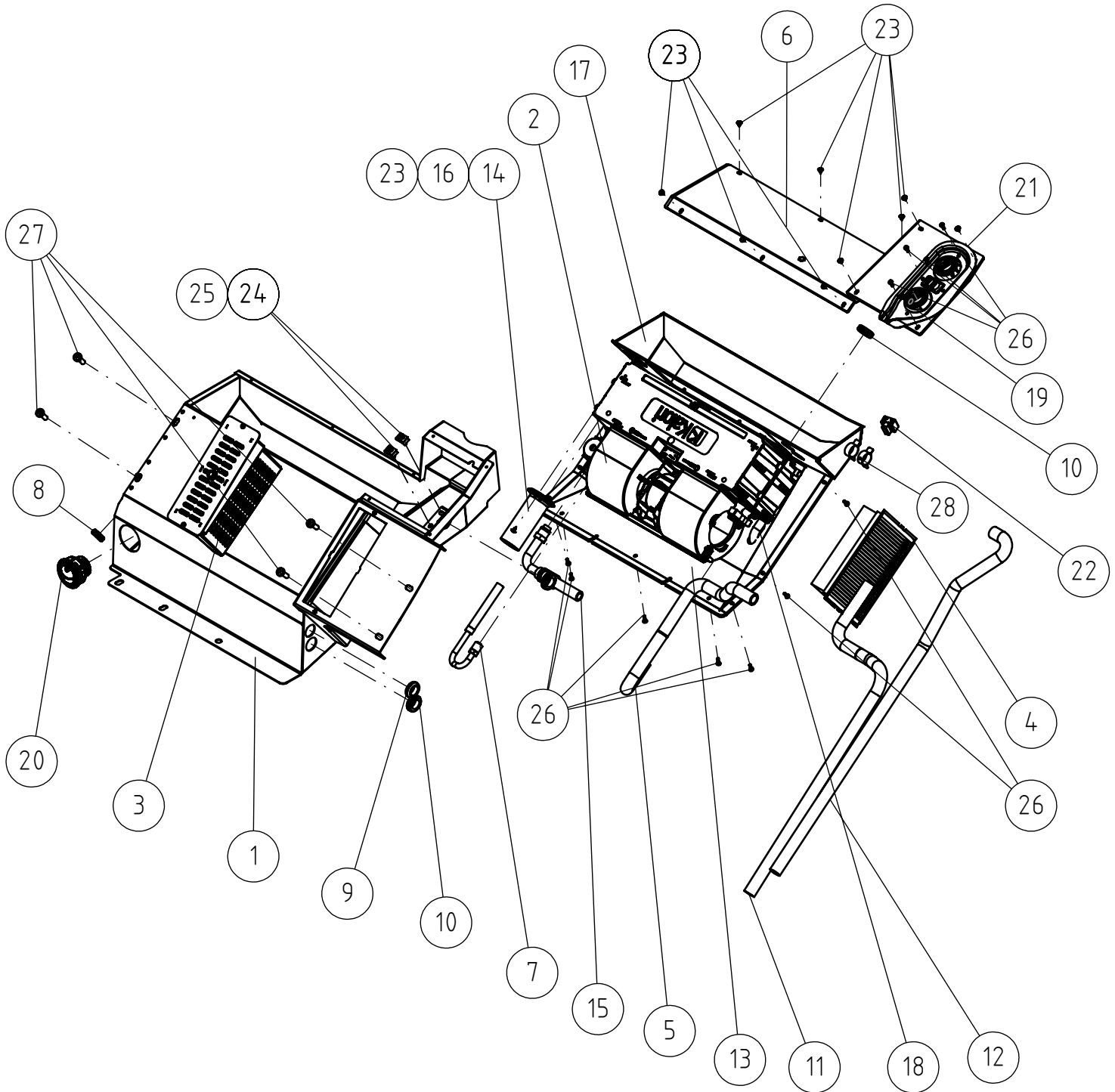
23.1.2024

A450869 AIR CONDITIONING ASSEMBLY CAB GT

| REF | PART NO | QTY | DESCRIPTION | NOTES | PAGE |
|-----|---------|-----|--|-------|------|
| 1 | A434047 | 1 | HEATER MODULE CAB GT | | 184 |
| 2 | A450870 | 1 | FITTING COOLANT A/C | | - |
| 3 | A449155 | 1 | CONDENSER WITH RECEIVER DRIER A/C CAB GT | | 186 |
| 4 | 66173 | 1 | HOSE FITTING M08 KALORI | | - |
| 5 | A456720 | 1 | | | - |
| 6 | A456717 | 1 | | | - |
| 7 | 66174 | 1 | HOSE FITTING M10 KALORI | | - |

23.1.2024

A434047 HEATER MODULE CAB GT



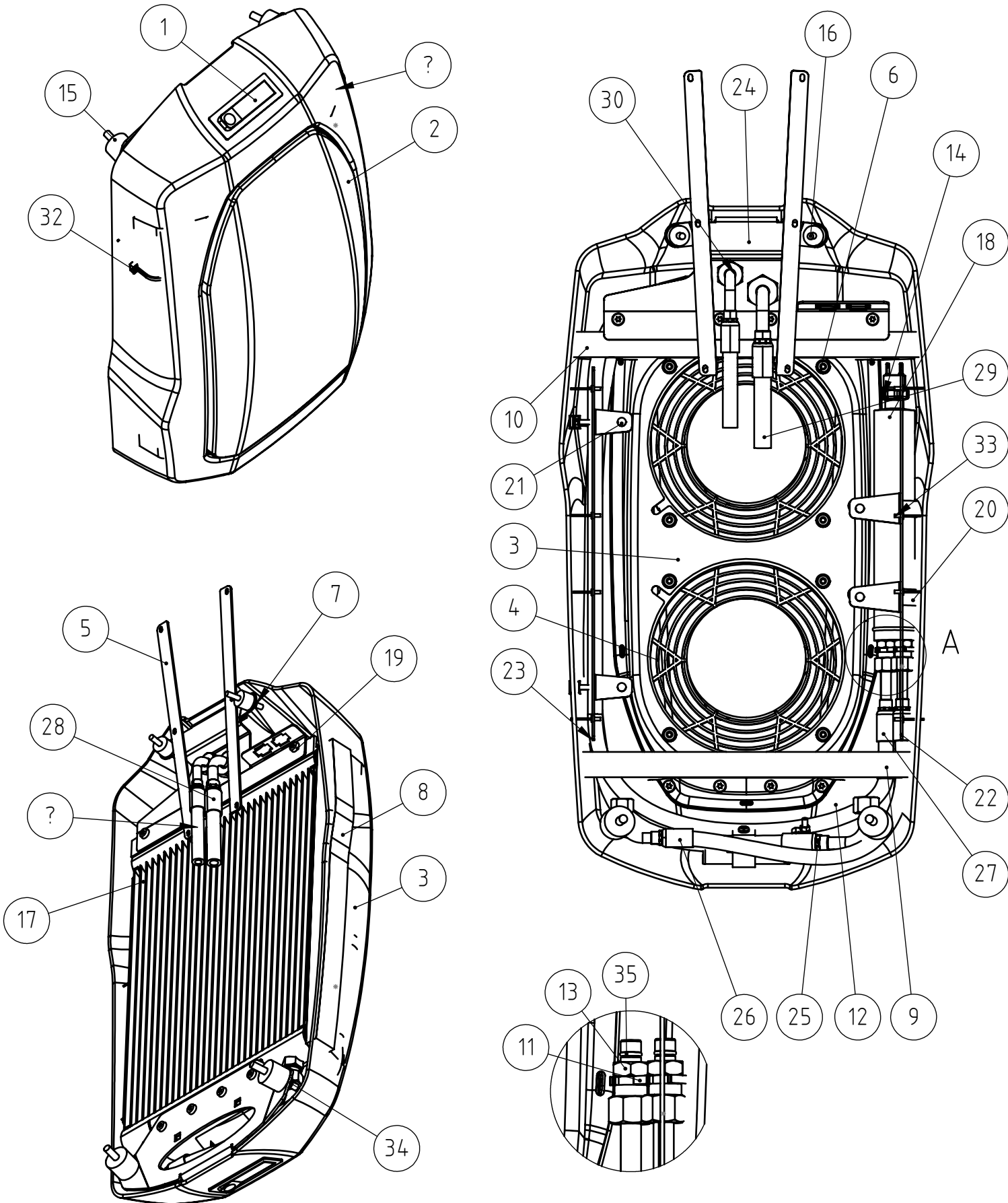
23.1.2024

A434047 HEATER MODULE CAB GT

| REF | PART NO | QTY | DESCRIPTION | NOTES | PAGE |
|-----|---------|-----|---------------------------------------|-------|------|
| 1 | A434046 | 1 | HOUSING, HEATER CAB GT | | - |
| 2 | A436383 | 1 | HEATER CAB GT 6,6/4,5 KW KOOL KOMBI E | | - |
| 3 | A434672 | 1 | HOUSING AIR FILTER CAB | | - |
| 4 | A422597 | 1 | AIR FILTER CARTRIDGE CAB | | - |
| 5 | A434090 | 1 | HOSE HEATER CAB GT | | - |
| 6 | A434450 | 1 | COVER PLATE HEATER CHANNEL CAB GT | | - |
| 7 | A438218 | 1 | REFRIGERANT HOSE L=900 ASSEMBLY | | - |
| 8 | 65525 | 1 | GROMMET F27/21/13 | | - |
| 9 | 65526 | 1 | GROMMET F32/25/19 | | - |
| 10 | A434302 | 3 | GROMMET F32/25/19 60SH | | - |
| 11 | A434303 | 1 | INLET HOSE HEATER CAB GT | | - |
| 12 | A434304 | 1 | RETURN HOSE HEATER CAB GT | | - |
| 13 | A436401 | 1 | LID HEATER CAB GT | | - |
| 15 | A436554 | 1 | REFRIGERANT HOSE HEATER CAB GT | | - |
| 16 | A436387 | 1 | HOSE FITTING 40MM | | - |
| 17 | A438219 | 1 | ISOLATION PLATE HEATER CHANNEL CAB GT | | - |
| 18 | A413467 | 2 | WATER HOSE, CONDENSATION WASSER | | - |
| 19 | 65514 | 1 | THERMOSTAT, HEATER, CAB | | - |
| 20 | A436549 | 1 | NOZZLE 60MM AIR FLOW CAB GT | | - |
| 21 | A437682 | 1 | FRAME, HEATER ADJUSTMENT KNOB CAB GT | | - |
| 22 | A436290 | 1 | WIRE HARNESS HEATER/AIRCON CAB GT | | - |
| 23 | A436550 | 12 | PAN HEAD MACHINE SCREW M3,9*9,5 | | - |
| 24 | 75172 | 2 | SPEED NUT M5 FOR 0.5-4.0 MM PLATE | | - |
| 25 | 74771 | 2 | PAN HEAD MACHINE SCREW M5* 25 | | - |
| 26 | A430277 | 16 | TORX SCREW M4*12 | | - |
| 27 | 75128 | 4 | THREAD-FORMING SCREW M8*25 DIN 7500C | | - |
| 28 | A438229 | 4 | HOSE CLAMP D23 | | - |

23.1.2024

A449155 CONDENSER WITH RECEIVER DRIER A/C CAB GT



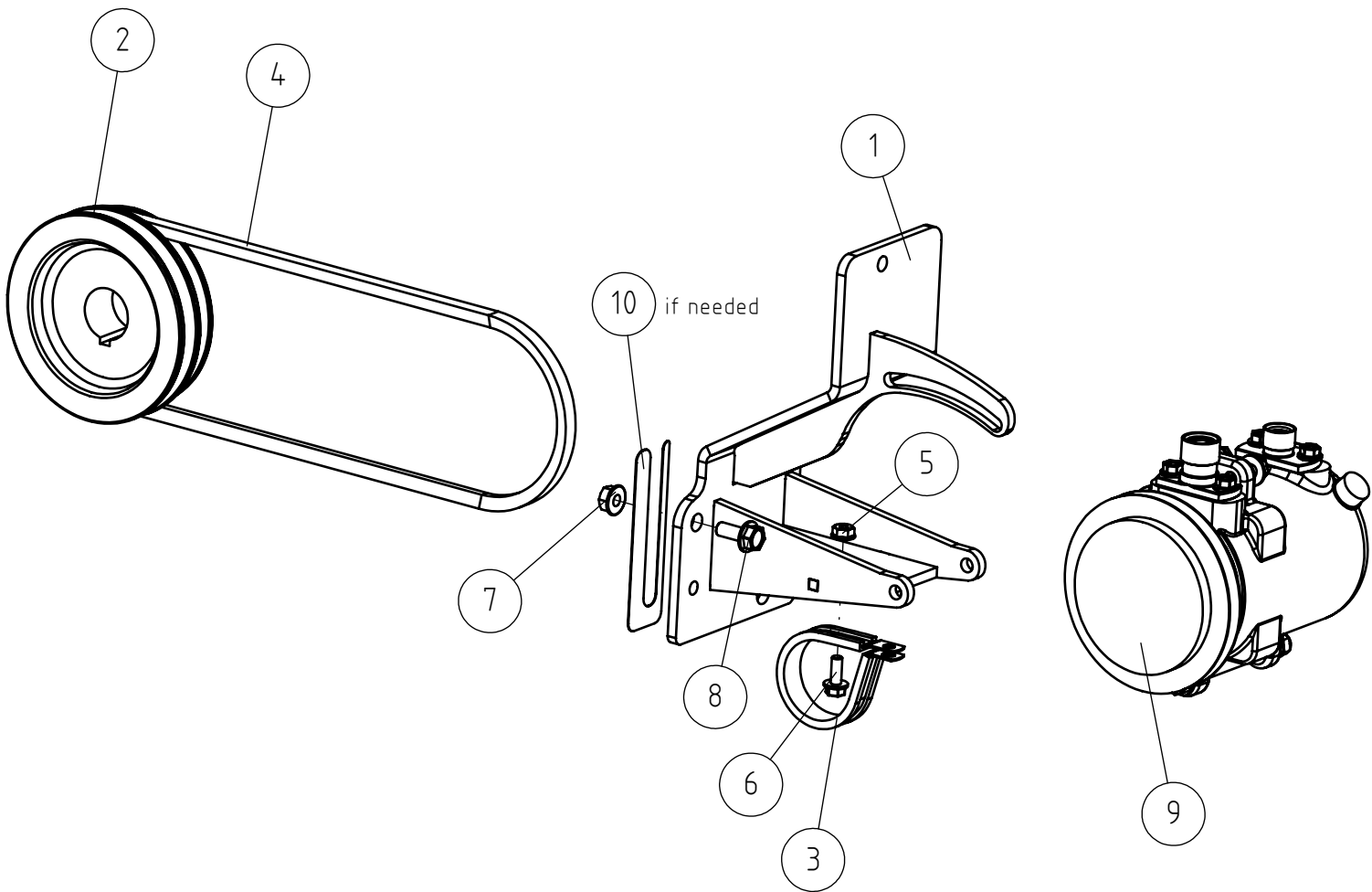
DETAIL A
SCALE 2 : 5

A449155 CONDENSER WITH RECEIVER DRIER A/C CAB GT

| REF | PART NO | QTY | DESCRIPTION | NOTES | PAGE |
|-----|---------|-----|---|-------|------|
| 1 | 65085 | 1 | LATCH | | - |
| 2 | A445944 | 1 | PROTECTIVE MESH COVER PANEL CONDENSER | | - |
| 3 | A445947 | 1 | HOUSING CONDENSER A/C CAB GT | | - |
| 4 | 64778 | 2 | FAN 12VDC F190 | | - |
| 5 | A447841 | 2 | SUPPORT ROD COVER PANEL C PILLAR CAB GT | | - |
| 6 | A449842 | 9 | HEXAGONAL HEAD SCREW M6*16 10.9 | | - |
| 7 | 72318 | 14 | HEXAGONAL NUT M 6 DIN 985 NYLOC | | - |
| 8 | A446529 | 2 | SEAL SIDE CONDENSER A/C | | - |
| 9 | A446531 | 1 | SEAL LOWER CONDENSER A/C | | - |
| 10 | A446533 | 1 | SEAL UPPER CONDENSER A/C | | - |
| 11 | A446555 | 1 | BRACKET HOSE NIPPLE A/C CAB GT | | - |
| 12 | A445771 | 1 | MOUNTING BRACKET LOWER CONDENSER A/C | | - |
| 13 | A445712 | 2 | HOSE NIPPLE RECEIVER DRIER A/C CAB GT | | - |
| 14 | A445557 | 1 | PRESSURE SWITCH HP 26,5 BAR / LP 2 BAR | | - |
| 15 | A437449 | 2 | VIBRATION DAMPER RUBBER 30/25/20 M8 | | - |
| 16 | A445490 | 2 | VIBRATION DAMPER D20X15 | | - |
| 17 | A445709 | 1 | CONDENSER A/C CAB GT | | - |
| 18 | A445301 | 1 | RECEIVER DRIER A/C CAB GT | | - |
| 19 | A444170 | 8 | THREAD-FORMING SCREW M6*12 DIN 7500CE | | - |
| 20 | A445508 | 2 | PIPE CLAMP D38 M8 | | - |
| 21 | A446561 | 4 | PRESS-IN SCREW M6*15 | | - |
| 22 | A447781 | 1 | MOUNTING PLATE RECEIVER DRIER A/C | | - |
| 23 | A447823 | 1 | MOUNTING PLATE HOSES CONDENSER A/C CAB | | - |
| 24 | A447824 | 1 | MOUNTING BRACKET UPPER CONDENSER A/C | | - |
| 25 | A447869 | 2 | HOSE FITTING 90° M0808 REFRIGERANT | | - |
| 26 | A447867 | 2 | HOSE FITTING 90° M0606 REFRIGERANT | | - |
| 27 | A447959 | 2 | HOSE FITTING STRAIGHT M0606 REFRIGERANT | | - |
| 28 | A447955 | 1 | HOSE FITTING 08 90° REFRIGERANT | | - |
| 29 | A450085 | 1 | HOSE 08 A/C CAB GT | | - |
| 30 | A447957 | 1 | HOSE FITTING 06 90° REFRIGERANT | | - |
| 31 | A450084 | 1 | HOSE 06 A/C CAB GT | | - |
| 32 | A442639 | 2 | CABLE TIE 7,6*390 M6 BLACK | | - |
| 33 | A448802 | 8 | BLIND RIVET 3,0*8,0 | | - |
| 34 | 72320 | 2 | HEXAGONAL NUT M8 NYLOC DIN 985 | | - |
| 35 | A449800 | 2 | O-RING D7,28X1,78 | | - |

23.1.2024

A465335



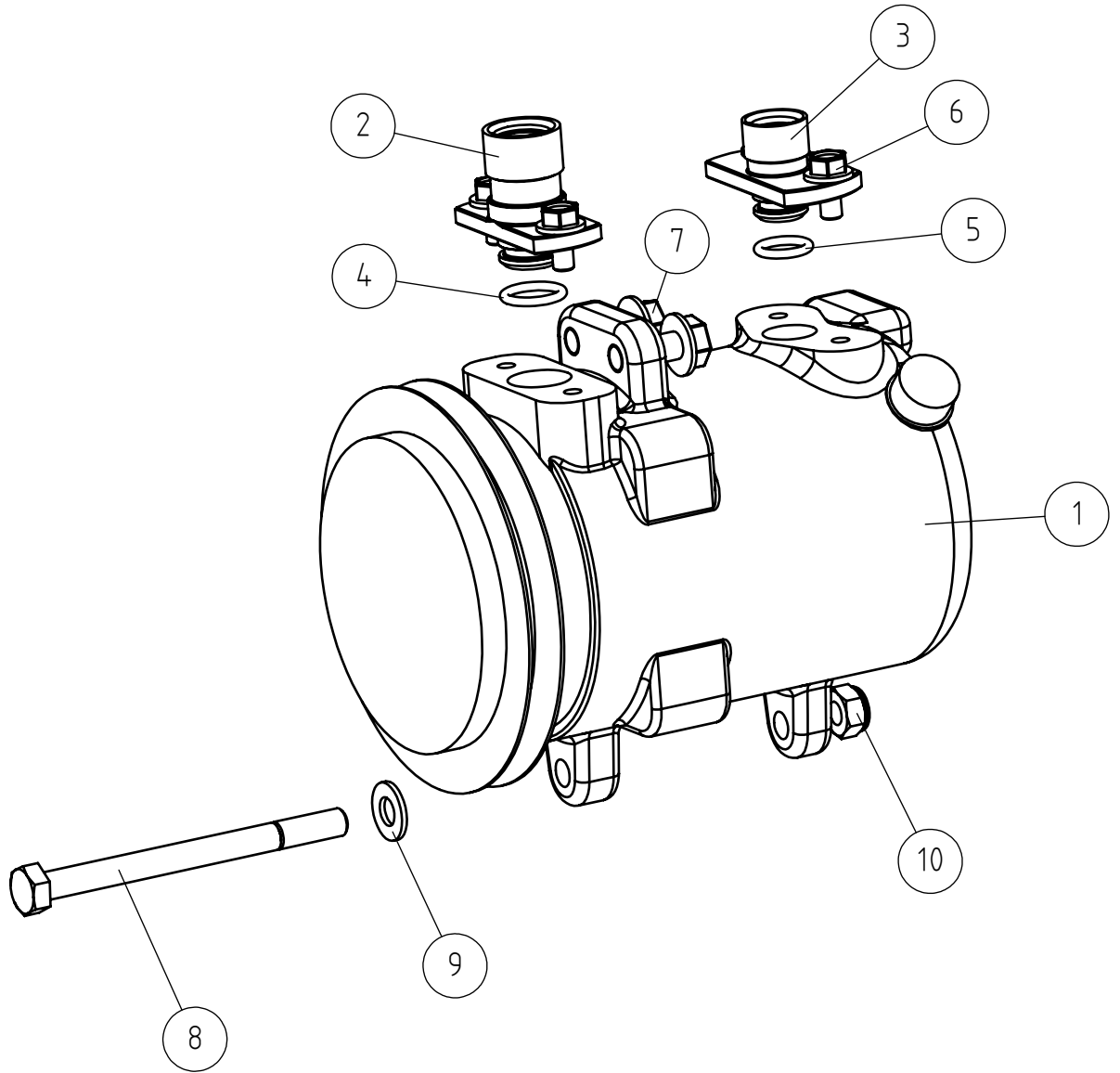
23.1.2024

A465335

| REF | PART NO | QTY | DESCRIPTION | NOTES | PAGE |
|-----|---------|-----|---|-------|------|
| 1 | A415942 | 1 | MOUNTING BRACKET, COMPRESSOR A/C | | - |
| 2 | A415426 | 1 | V BELT PULLEY, DOUBLE | | - |
| 3 | 74875 | 1 | PIPE CLAMP F51 MM | | - |
| 4 | 65520 | 1 | V-BELT SPZ900 | | - |
| 5 | 74781 | 1 | HEXAGONAL NUT M6 WITH FLANGE | | - |
| 6 | A431967 | 1 | HEXAGONAL SERRATED SCREW M6*16 W. FLANG | | - |
| 7 | A450046 | 1 | HEXAGONAL NUT M8 WITH FLANGE | | - |
| 8 | A429201 | 1 | HEXAGONAL SERRATED SCREW M8*20 WITH | | - |
| 9 | A465379 | 1 | COMPRESSOR ASSEMBLY A/C | | 190 |
| 10 | A414503 | 1 | ADJUSTMENT PLATE, COMPRESSOR A/C | | - |

23.1.2024

A465379 COMPRESSOR ASSEMBLY A/C



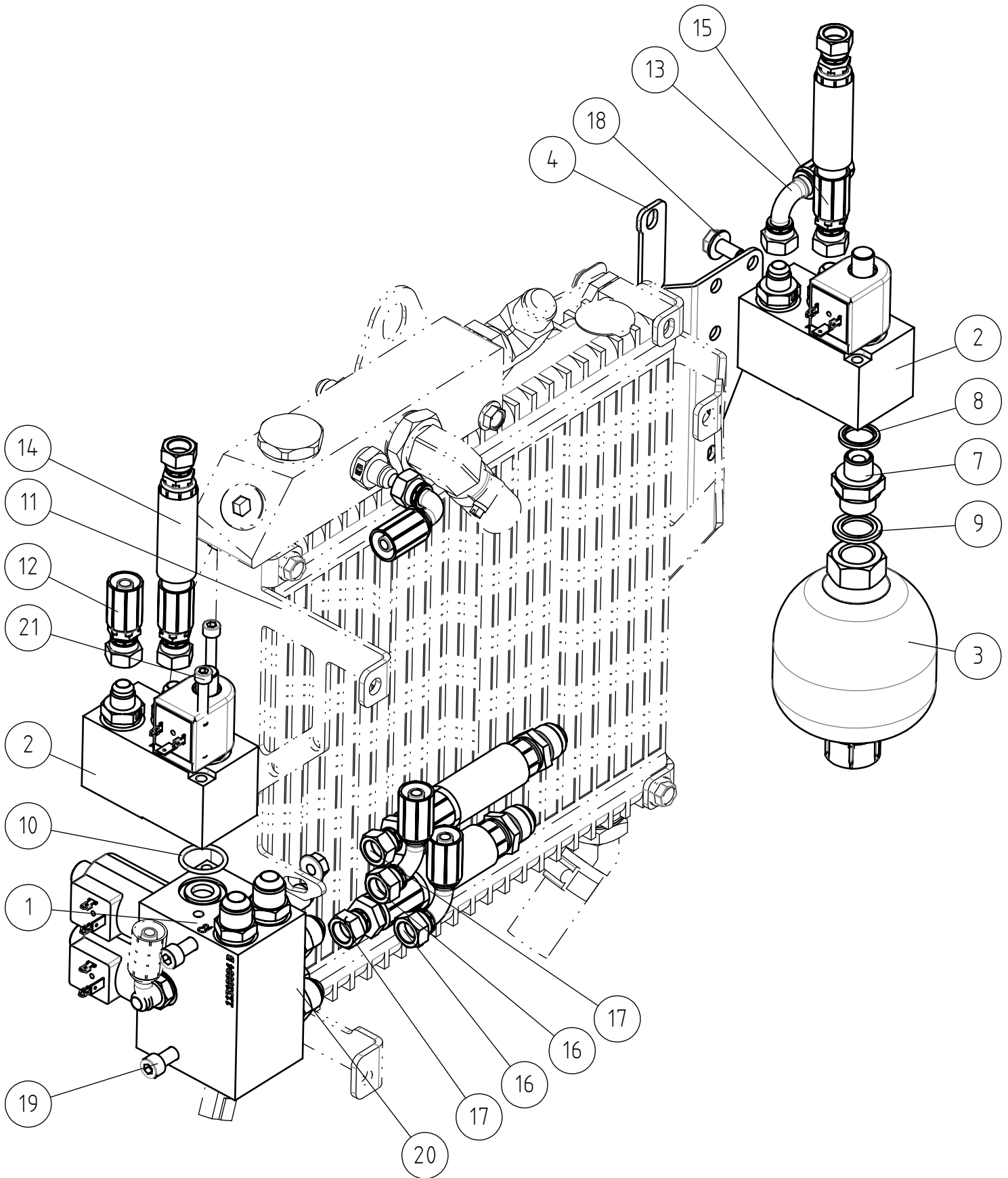
23.1.2024

A465379 COMPRESSOR ASSEMBLY A/C

| REF | PART NO | QTY | DESCRIPTION | NOTES | PAGE |
|-----|---------|-----|-------------------------------------|-------|------|
| 1 | 65515 | 1 | COMPRESSOR, AIR CONDITIONING | | - |
| 1.1 | A431604 | 1 | TEMPERATURE SWITCH COMPRESSOR AC | | - |
| 2 | A417388 | 1 | HOSE FITTING, A/C | | - |
| 3 | A417390 | 1 | HOSE FITTING, A/C | | - |
| 4 | 65531 | 1 | O-RING KALORI 700.06.109 | | - |
| 5 | 65532 | 1 | O-RING KALORI 700.06.110 | | - |
| 6 | A431968 | 4 | HEXAGONAL SERRATED SCREW M6*12 WITH | | - |
| 7 | A429201 | 2 | HEXAGONAL SERRATED SCREW M8*20 WITH | | - |
| 8 | 74500 | 1 | HEXAGONAL SCREW M8*100 DIN 931 | | - |
| 9 | 73122 | 1 | WASHER M8 A8,4 DIN 125 ZN | | - |
| 10 | 72320 | 1 | HEXAGONAL NUT M8 NYLOC DIN 985 | | - |

23.1.2024

A450647 SMOOTH DRIVE - BOOM SUSPENSION 800



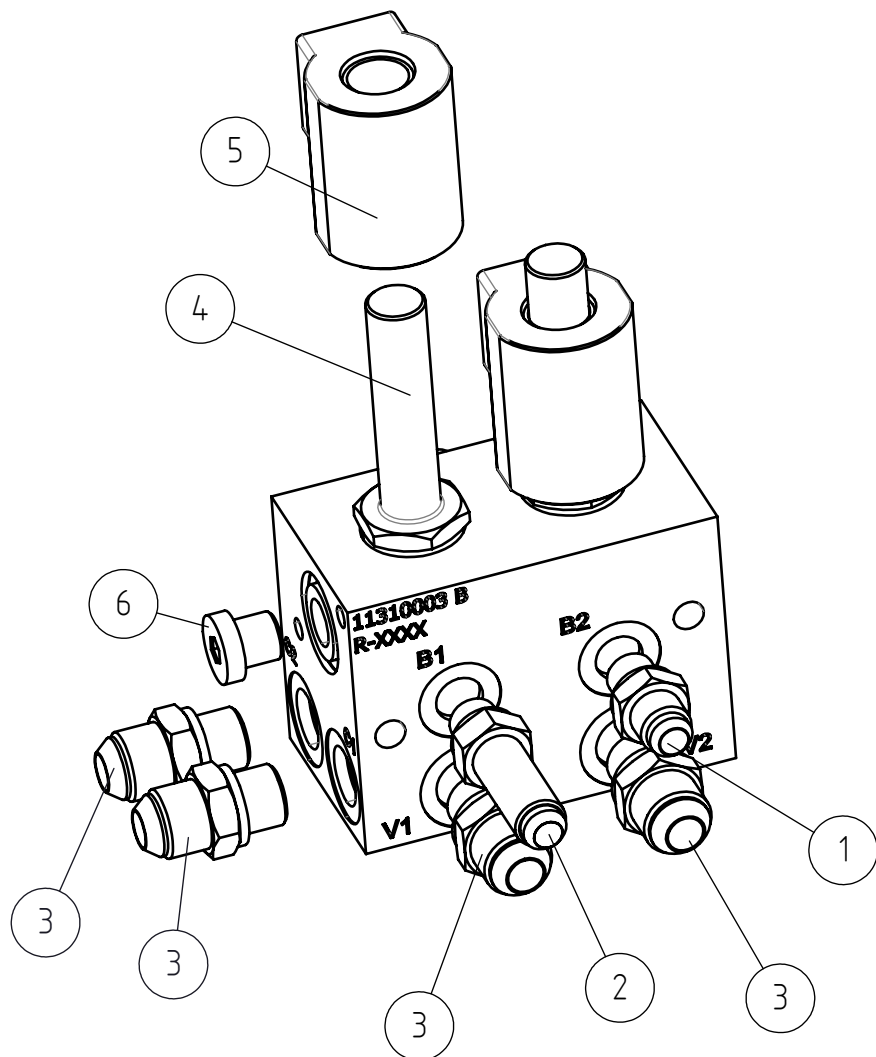
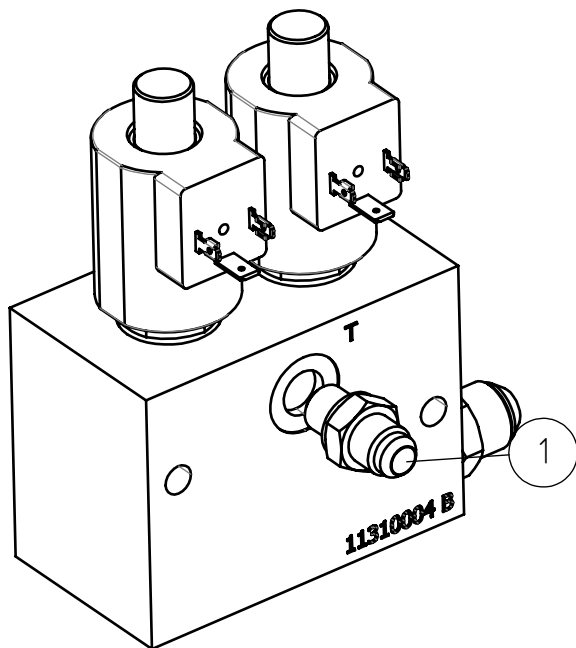
23.1.2024

A450647 SMOOTH DRIVE - BOOM SUSPENSION 800

| REF | PART NO | QTY | DESCRIPTION | NOTES | PAGE |
|-----|---------|-----|---|-------|------|
| 1 | A449741 | 1 | DIRECTIONAL VALVE ASSEMBLY BOOM FLOAT & | | 194 |
| 2 | A449669 | 2 | SOLENOID VALVE 2/2 | | 196 |
| 3 | 65732 | 1 | ACCUMULATOR 0,32L G1/2" | | - |
| 4 | A449902 | 1 | MOUNTING BRACKET ACCUMULATOR | | - |
| 5 | A440277 | 1 | WIRE HARNESS SMOOTH DRIVE, TO VALVES | | - |
| 6 | A437190 | 1 | SWITCH SMOOTH DRIVE | | - |
| 7 | 73408 | 1 | REDUCTOR NIPPLE R3/8"-1/2" | | - |
| 8 | 73379 | 1 | USIT-COMPRESSION 3/8" | | - |
| 9 | 73047 | 1 | USIT SEAL RING R/12" | | - |
| 10 | A450398 | 1 | O-RING D23.47X2.62 | | - |
| 11 | A450400 | 1 | HYDR. HOSE L=500 | | - |
| 12 | A445697 | 1 | HYDR. HOSE L=1100 | | - |
| 13 | A450675 | 1 | HYDR. HOSE L=380 | | - |
| 14 | A450676 | 1 | HYDR. HOSE L=1950 | | - |
| 15 | A450677 | 1 | HYDR. HOSE L=1750 | | - |
| 16 | A450678 | 2 | HYDR. HOSE L=1000 | | - |
| 17 | A450679 | 2 | HYDR. HOSE L=1700 | | - |
| 18 | A429200 | 2 | HEXAGONAL SERRATED SCREW M8*16 WITH | | - |
| 19 | A442472 | 2 | HEXAGONAL HEAD SCREW M8*70 DIN 912 8.8 | | - |
| 20 | 74782 | 2 | HEXAGONAL NUT M8 WITH FLANGE | | - |
| 21 | 74478 | 2 | HEXAGONAL HEAD SCREW M6* 55 | | - |

23.1.2024

A449741 DIRECTIONAL VALVE ASSEMBLY BOOM FLOAT &



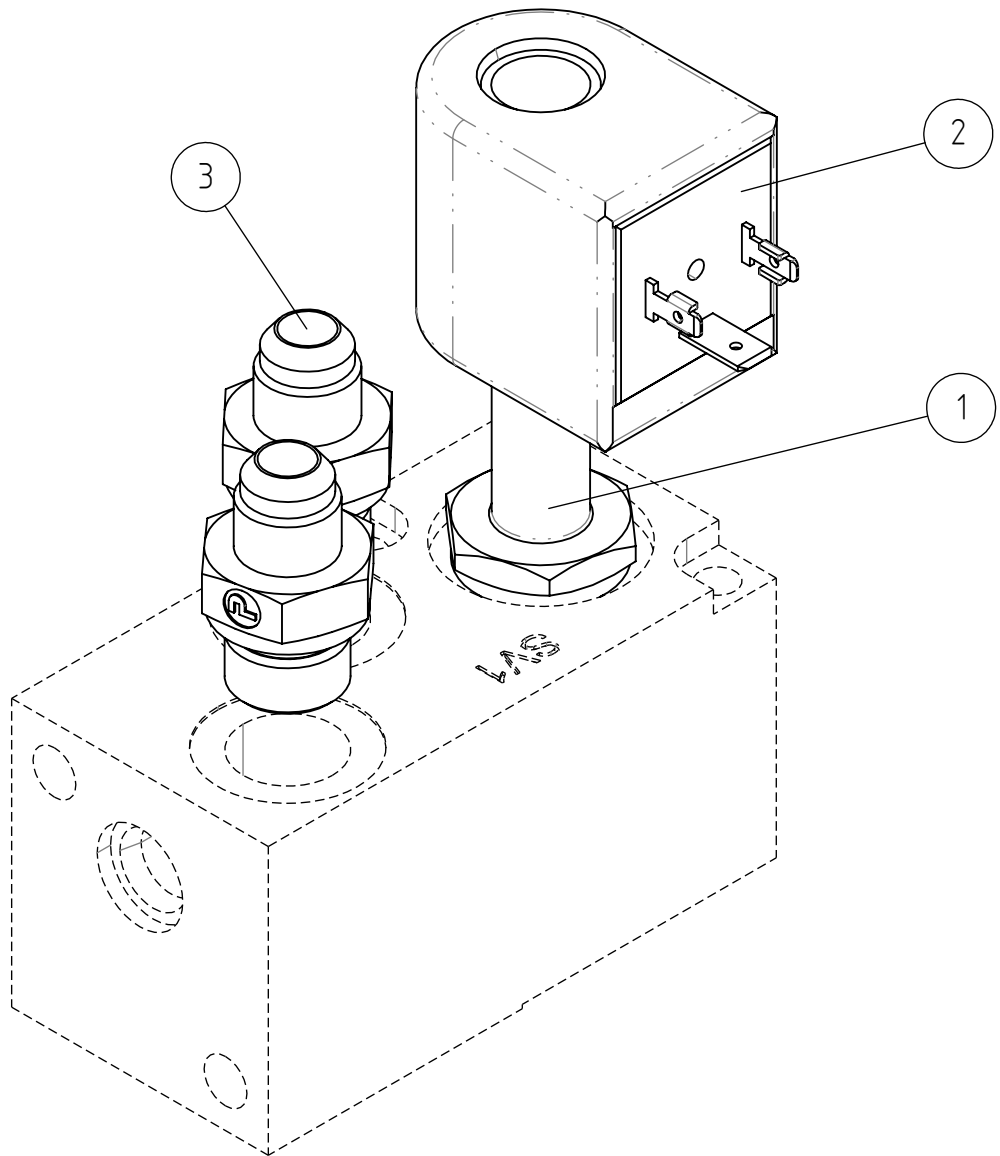
23.1.2024

A449741 DIRECTIONAL VALVE ASSEMBLY BOOM FLOAT &

| REF | PART NO | QTY | DESCRIPTION | NOTES | PAGE |
|-----|---------|-----|------------------------------------|-------|------|
| 1 | 64059 | 2 | BASIC FITTING F40XS10-1/4 | | - |
| 2 | A453598 | 1 | BASIC FITTING G1/4" OUTSIDE THREAD | | - |
| 3 | 64042 | 4 | BASIC FITTING F40XS12-3/8 /8 | | - |
| 4 | A432527 | 2 | VALVE CARTRIDGE 3/2 CONTROL VALVE | | - |
| 5 | A432544 | 2 | SOLENOID 12V / 26W | | - |
| 6 | 64700 | 1 | HEXAGONAL PLUG R 1/4" | | - |

23.1.2024

A449669 SOLENOID VALVE 2/2



23.1.2024

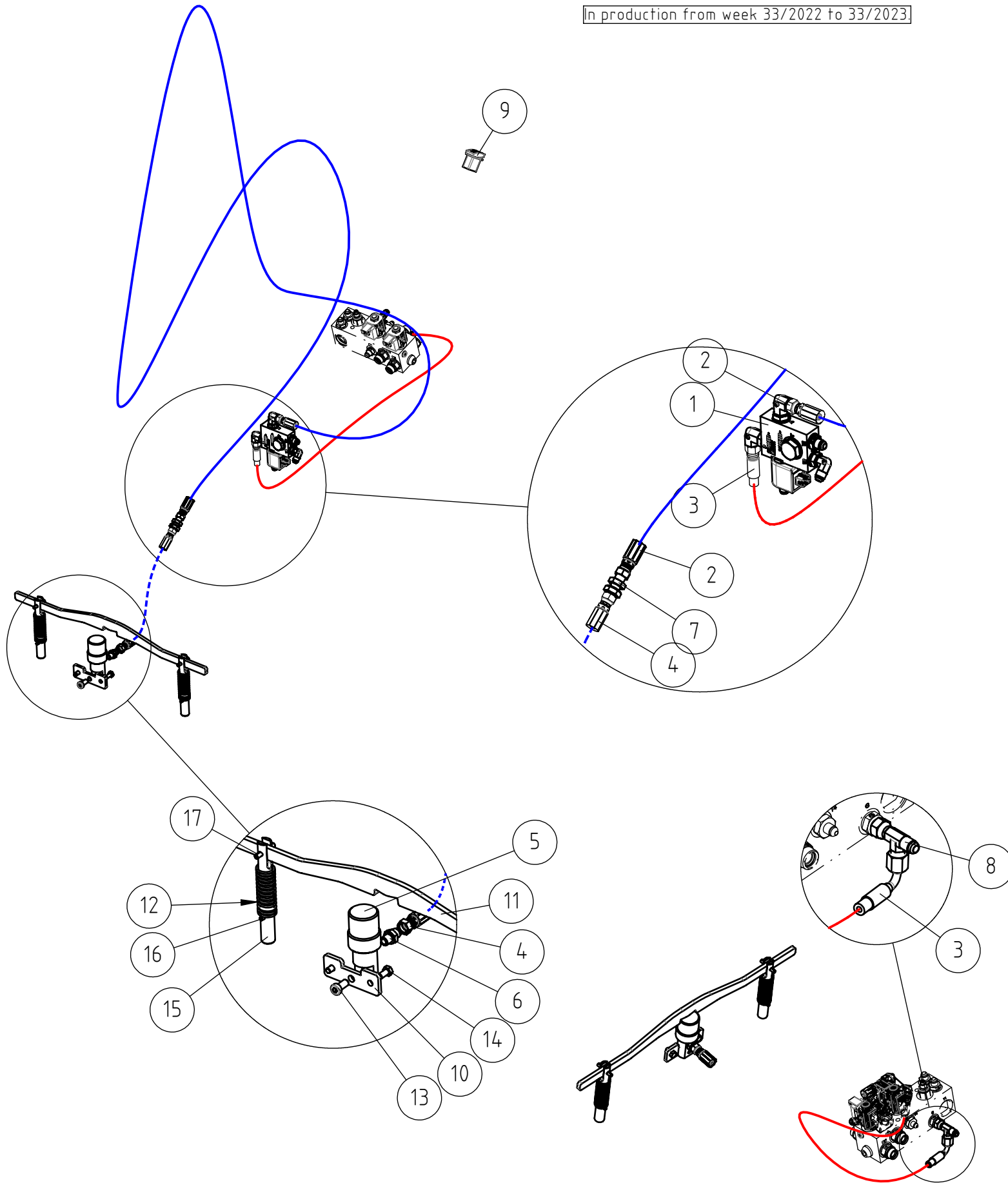
A449669 SOLENOID VALVE 2/2

| REF | PART NO | QTY | DESCRIPTION | NOTES | PAGE |
|-----|---------|-----|------------------------------|-------|------|
| 1 | A449737 | 1 | | | - |
| 2 | A449739 | 1 | | | - |
| 3 | 64041 | 2 | BASIC FITTING F40XS10-3/8 /8 | | - |

23.1.2024

A453186 HYDRAULIC QUICK ATTACH PLATE 800 SERIES

In production from week 33/2022 to 33/2023

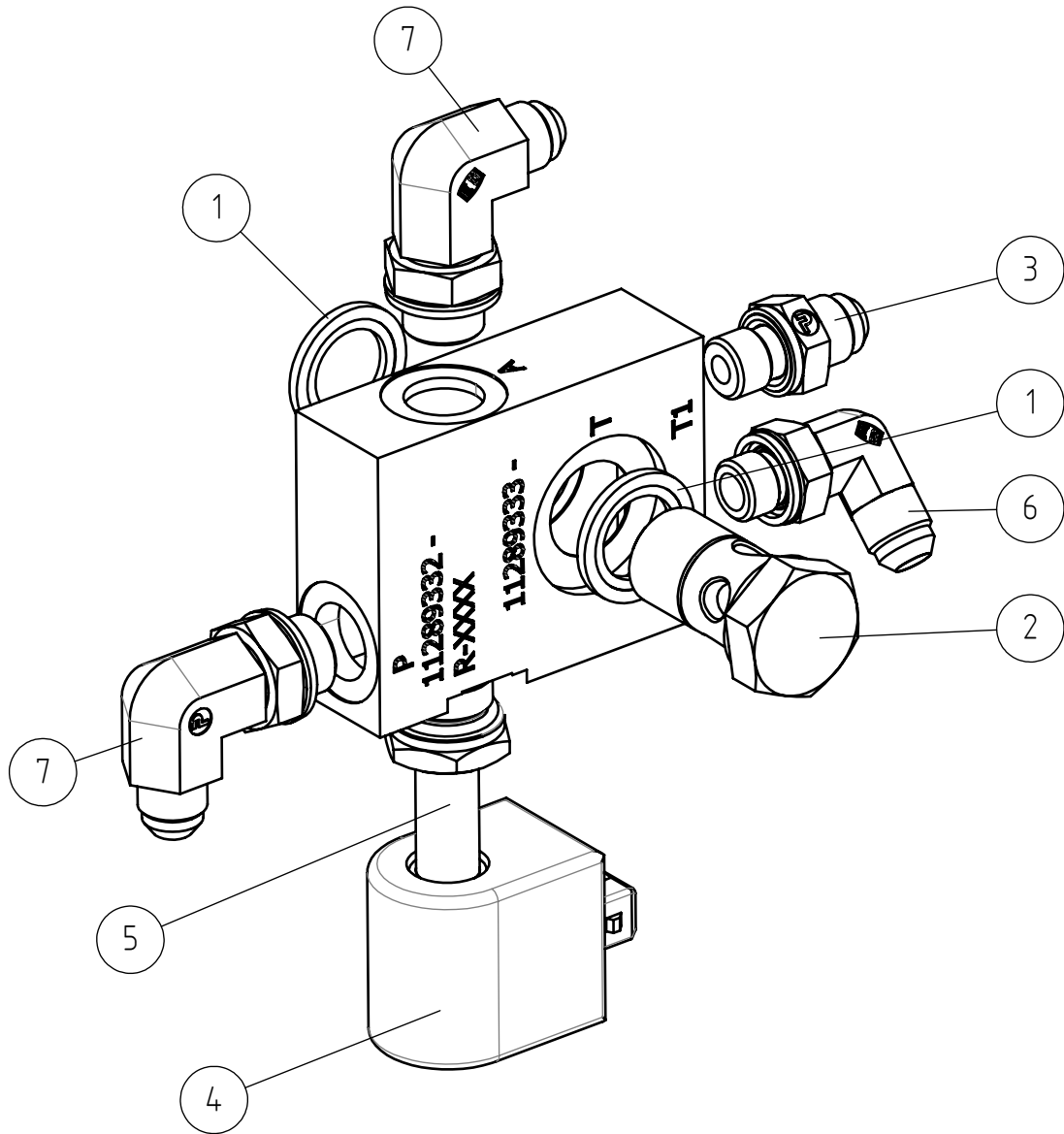


23.1.2024

A453186 HYDRAULIC QUICK ATTACH PLATE 800 SERIES

| REF | PART NO | QTY | DESCRIPTION | NOTES | PAGE |
|-----|---------|-----|--|-------|------|
| 1 | A449703 | 1 | VALVE ASSEMBLY HYDR. ATTACHMENT COUPLING | | 200 |
| 2 | A453223 | 1 | HYDR. HOSE L=6100 | | - |
| 3 | A424830 | 1 | HYDR. HOSE L=1000 | | - |
| 4 | A430203 | 1 | HYDR. HOSE L=400 | | - |
| 5 | A425700 | 1 | HYDRAULIC CYLINDER F35/F35-30 | | - |
| 6 | 64059 | 1 | BASIC FITTING F40XS10-1/4 | | - |
| 7 | 65202 | 1 | LEAD-THROUGH FITTING WTX-WLNS10 | | - |
| 8 | 64078 | 1 | L-FITTING BODY R6XS10 | | - |
| 9 | A430996 | 1 | CONTROL SWITCH, HYDR ATTACHMENT COUPLING | | - |
| 10 | A424829 | 1 | MOUNTING BRACKET CYLINDER HYD QUICK ATTA | | - |
| 11 | A424886 | 1 | ROD HYDR. ATTACHMENT COUPLING | | - |
| 12 | A430549 | 2 | COMPRESSION SPRING | | - |
| 13 | 74752 | 1 | HEXAGONAL HEAD SCREW M10*20 DIN 7984 ZN | | - |
| 14 | 73039 | 2 | HEXAGONAL SCREW M 8*16 DIN 933 ZN | | - |
| 15 | A410803 | 2 | LOCKING PIN F20, HYDR. ATTACHM COUPLING | | - |
| 16 | 73661 | 2 | SPRING PIN 5*30 DIN 1481 | | - |
| 17 | 71793 | 2 | SPRING COTTER PIN 6 * 40 | | - |

A449703 VALVE ASSEMBLY HYDR. ATTACHMENT COUPLING



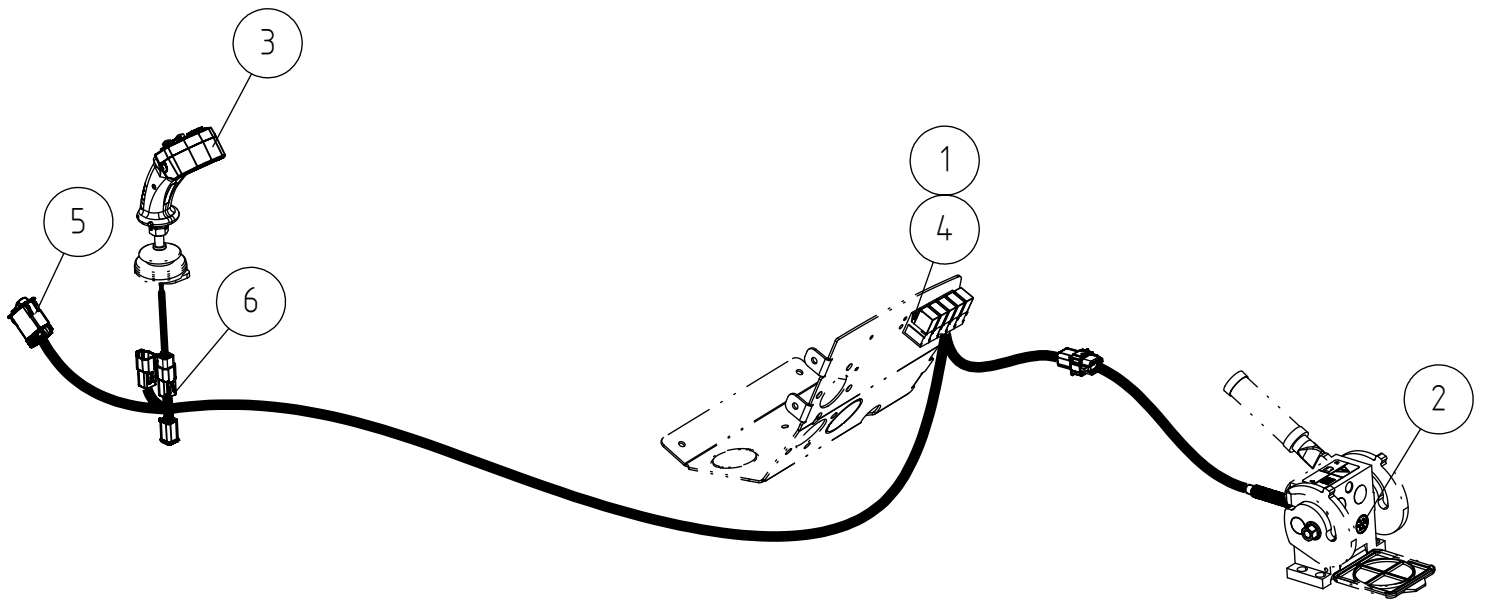
23.1.2024

A449703 VALVE ASSEMBLY HYDR. ATTACHMENT COUPLING

| REF | PART NO | QTY | DESCRIPTION | NOTES | PAGE |
|-----|---------|-----|----------------------------------|-------|------|
| 1 | 73047 | 2 | USIT SEAL RING R/12" | | - |
| 2 | 73959 | 1 | BANJO BOLT R 1/2" | | - |
| 3 | 64059 | 1 | BASIC FITTING F40XS10-1/4 | | - |
| 4 | A449743 | 1 | SOLENOID 12V/20W | | - |
| 5 | A449744 | 1 | | | - |
| 6 | 64087 | 1 | ELBOW FITTING 90 DEGR. /4# | | - |
| 7 | 64044 | 2 | ELBOW FITTING 90° C40XS10-3/8 /8 | | - |

23.1.2024

A454220 ATTACHMENT CONTROL SWITCH PACK

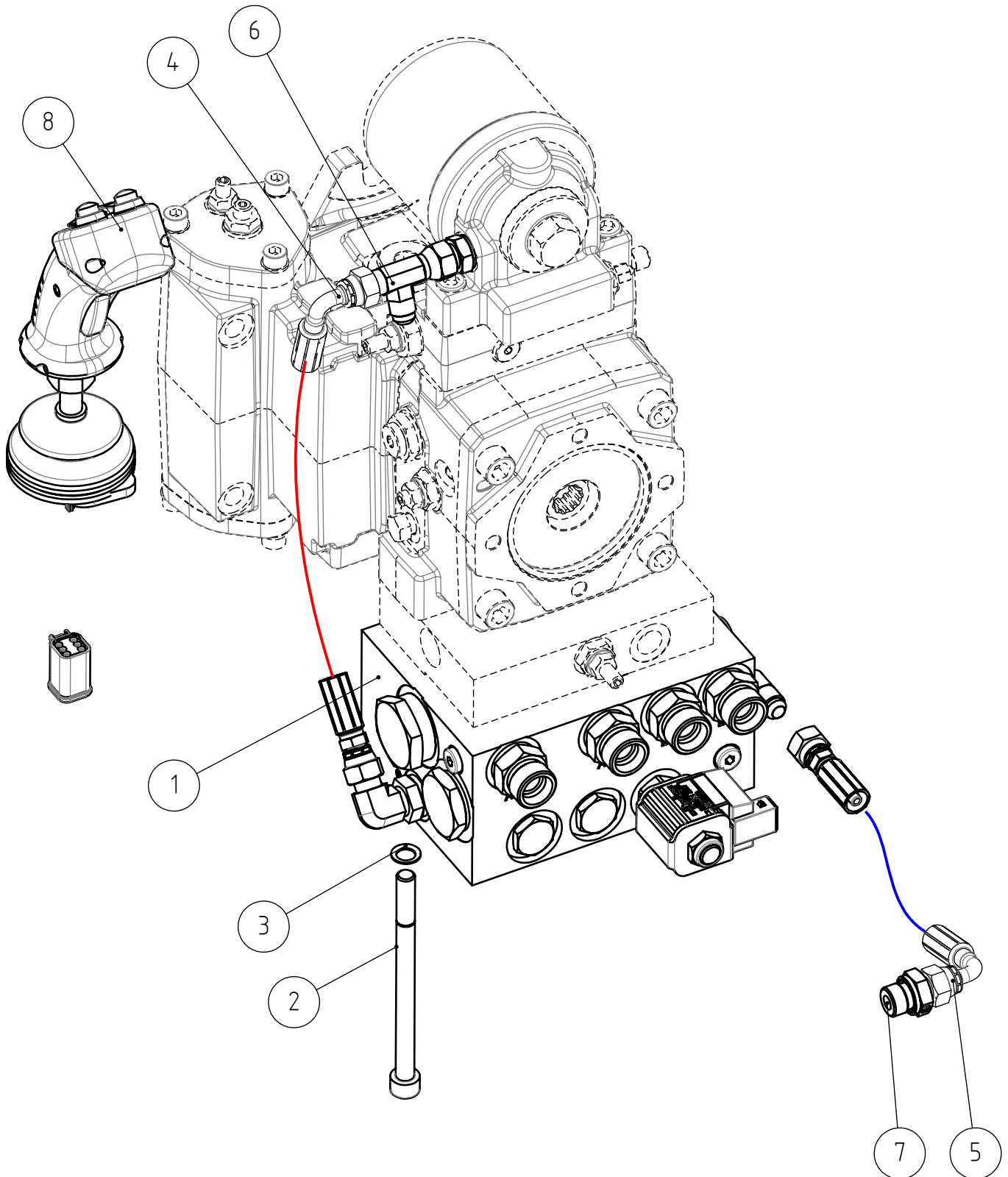


23.1.2024

A454220 ATTACHMENT CONTROL SWITCH PACK

| REF | PART NO | QTY | DESCRIPTION | NOTES | PAGE |
|-----|---------|-----|-------------------------------------|-------|------|
| 1 | A453081 | 2 | HEXAGONAL NUT M5 DIN 6923 | | - |
| 2 | A445751 | 1 | CONNECTING CABLE OPTICONTROL L=3800 | | - |
| 3 | A34716 | 1 | SWITCH PACK | | - |
| 3.1 | 65431 | 1 | ROCKER SWITCH 0-1, BLACK, 180.1146 | | - |
| 3.2 | 65408 | 2 | ROCKER SWITCH, BLACK, JOYSTICK | | - |
| 4 | 75160 | 2 | HEXAGONAL SCREW M5*10 DIN 933 | | - |
| 5 | A437343 | 1 | ROCKER SWITCH OPTICONTROL | | - |
| 6 | A449852 | 1 | WIRE HARNESS OPTICONTROL | | - |
| 6.1 | A438175 | 5 | RELAY 12V/30A | | - |

A434868 ANTI SLIP VALVE 800 SERIES OPTIDRIVE



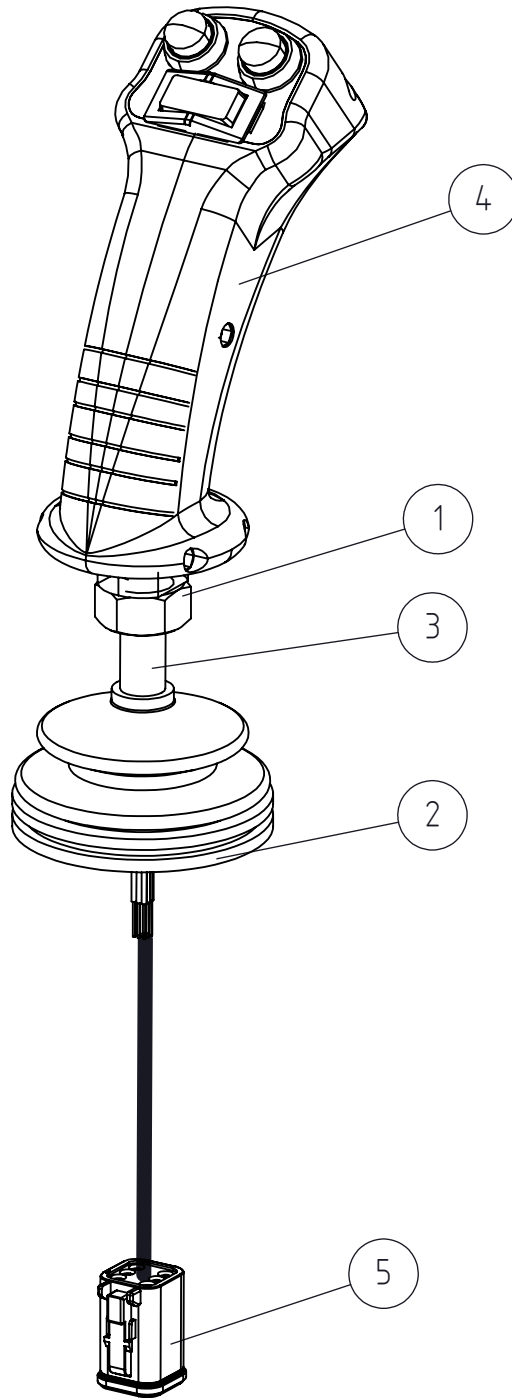
23.1.2024

A434868 ANTI SLIP VALVE 800 SERIES OPTIDRIVE

| REF | PART NO | QTY | DESCRIPTION | NOTES | PAGE |
|-----|---------|-----|--|-------|------|
| 1 | A454024 | 1 | HYDRAULIC MANIFOLD ANTI SLIP VALVE | | 116 |
| 2 | 75122 | 8 | HEXAGONAL HEAD SCREW M10*140 12.9 DIN912 | | - |
| 3 | A434424 | 8 | SAFETY WASHER M10 3/8" | | - |
| 4 | A410094 | 1 | HYDR. HOSE L=350 | | - |
| 5 | A410096 | 1 | HYDR. HOSE L=450 | | - |
| 6 | 64078 | 1 | L-FITTING BODY R6XS10 | | - |
| 7 | 64041 | 1 | BASIC FITTING F40XS10-3/8 /8 | | - |
| 8 | A435400 | 1 | JOYSTICK 8 FUNCTION WITH ANTI SLIP | | 206 |
| 8.1 | 65406 | 1 | PUSHBUTTON, RED, AUX. HYDR. JOYSTICK | | - |
| 8.2 | 65407 | 1 | PUSHBUTTON, BLUE, JOYSTICK, AUX. HYDR. | | - |
| 8.3 | 65408 | 1 | ROCKER SWITCH, BLACK, JOYSTICK | | - |

23.1.2024

A435400 JOYSTICK 8 FUNCTION WITH ANTI SLIP



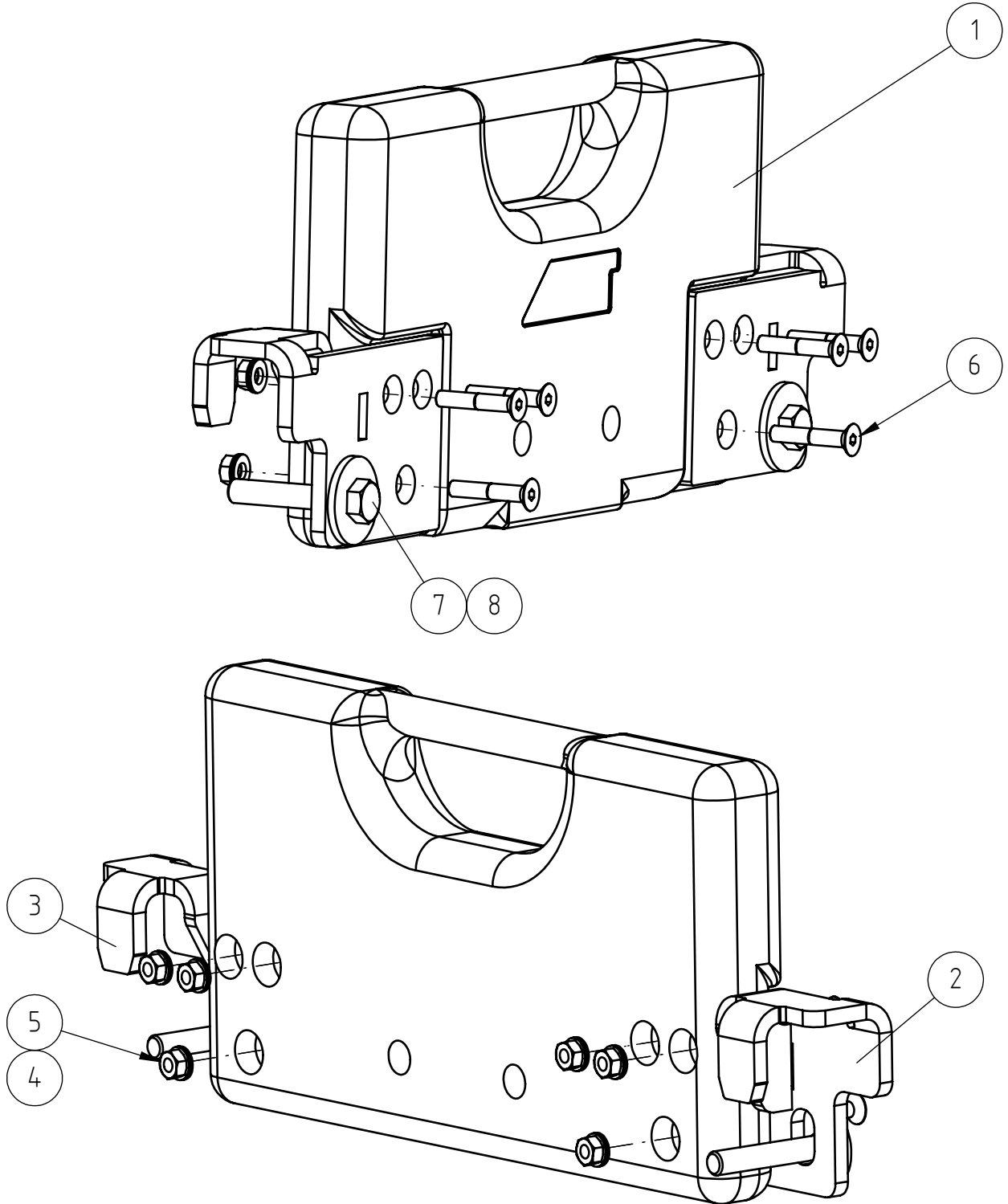
23.1.2024

A435400 JOYSTICK 8 FUNCTION WITH ANTI SLIP

| REF | PART NO | QTY | DESCRIPTION | NOTES | PAGE |
|-----|---------|-----|--|-------|------|
| 1 | 74676 | 1 | HEXAGONAL NUT M 14*1,5 DIN 934 ZN | | - |
| 2 | 74327 | 1 | RUBBER COVER, CONTROL LEVER, F12/56*40 | | - |
| 3 | A410614 | 1 | BRACKET ROD, CONTROL LEVER | | - |
| 4 | 65262 | 1 | JOYSTICK HANDLE 8-FUNC WITH ANTI SLIP SW | | - |
| 5 | A426057 | 1 | CONNECTOR PLUG 6 PIN DT06-6S DEUTSCH | | - |
| - | 65406 | 1 | PUSHBUTTON, RED, AUX. HYDR. JOYSTICK | | - |
| - | 65407 | 1 | PUSHBUTTON, BLUE, JOYSTICK, AUX. HYDR. | | - |
| - | 65408 | 1 | ROCKER SWITCH, BLACK, JOYSTICK | | - |

23.1.2024

A35957 REAR WEIGHT 29 KG WITH HANDLE, CAST IRON



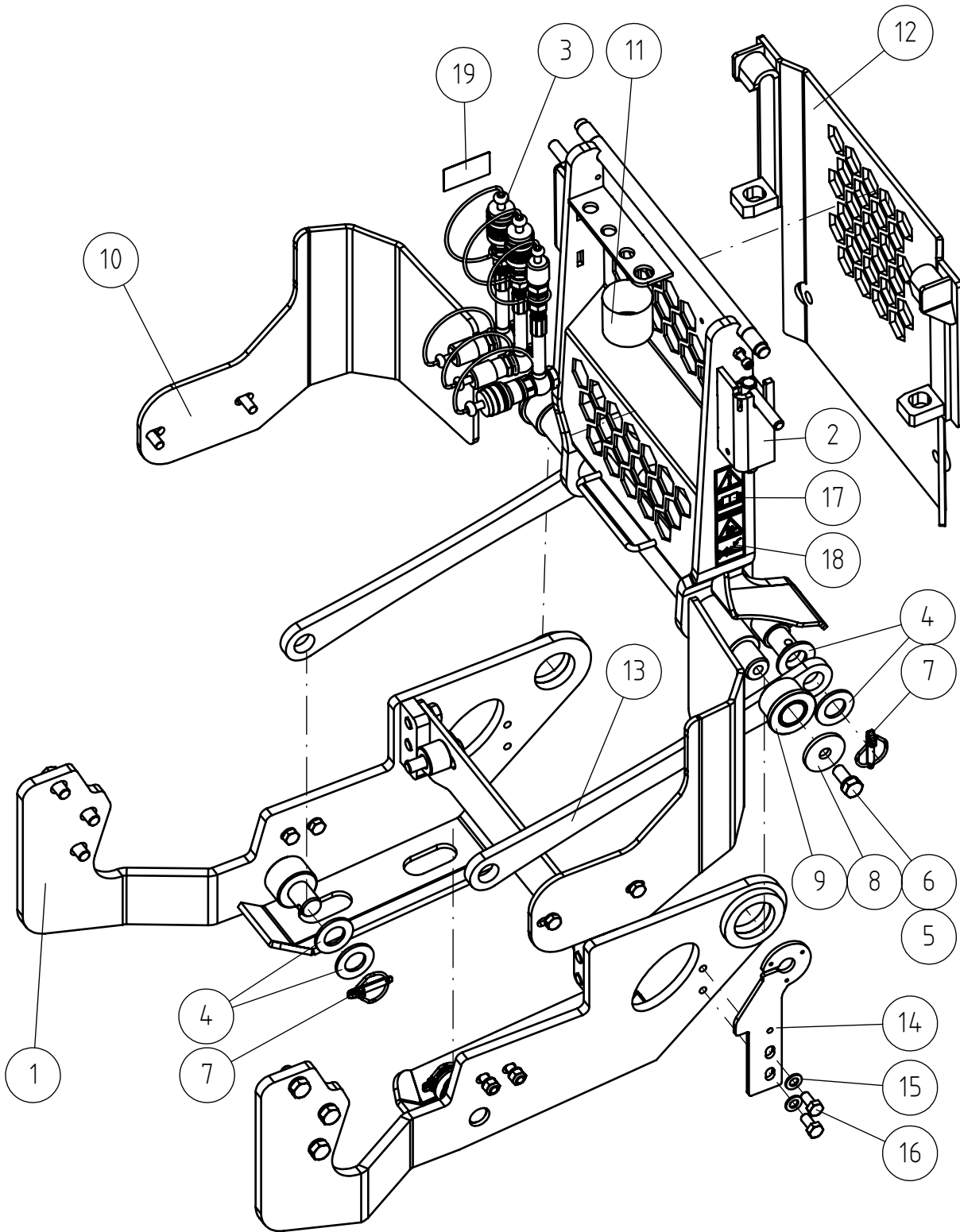
23.1.2024

A35957 REAR WEIGHT 29 KG WITH HANDLE, CAST IRON

| REF | PART NO | QTY | DESCRIPTION | NOTES | PAGE |
|-----|---------|-----|--------------------------------------|-------|------|
| 1 | A416789 | 1 | REAR WEIGHT, CAST IRON | | - |
| 2 | A416794 | 1 | MOUNTING BRACKET, LEFT, REAR WEIGHT | | - |
| 3 | A416795 | 1 | MOUNTING BRACKET, RIGHT, REAR WEIGHT | | - |
| 4 | 63944 | 6 | WASHER, PAIR, NORD-LOCK M8 | | - |
| 5 | 72319 | 6 | HEXAGONAL NUT M8 DIN 934 | | - |
| 6 | 74952 | 6 | HEXAG. COUNTERSUNK HEAD SCREW M8*45 | | - |
| 7 | 72221 | 2 | HEXAGONAL SCREW M12*70 DIN 933 | | - |
| 8 | 73006 | 2 | WASHER M12 DIN 440 | | - |

23.1.2024

A441666 ATTACHMENT MOUNTING PLATE REAR 800



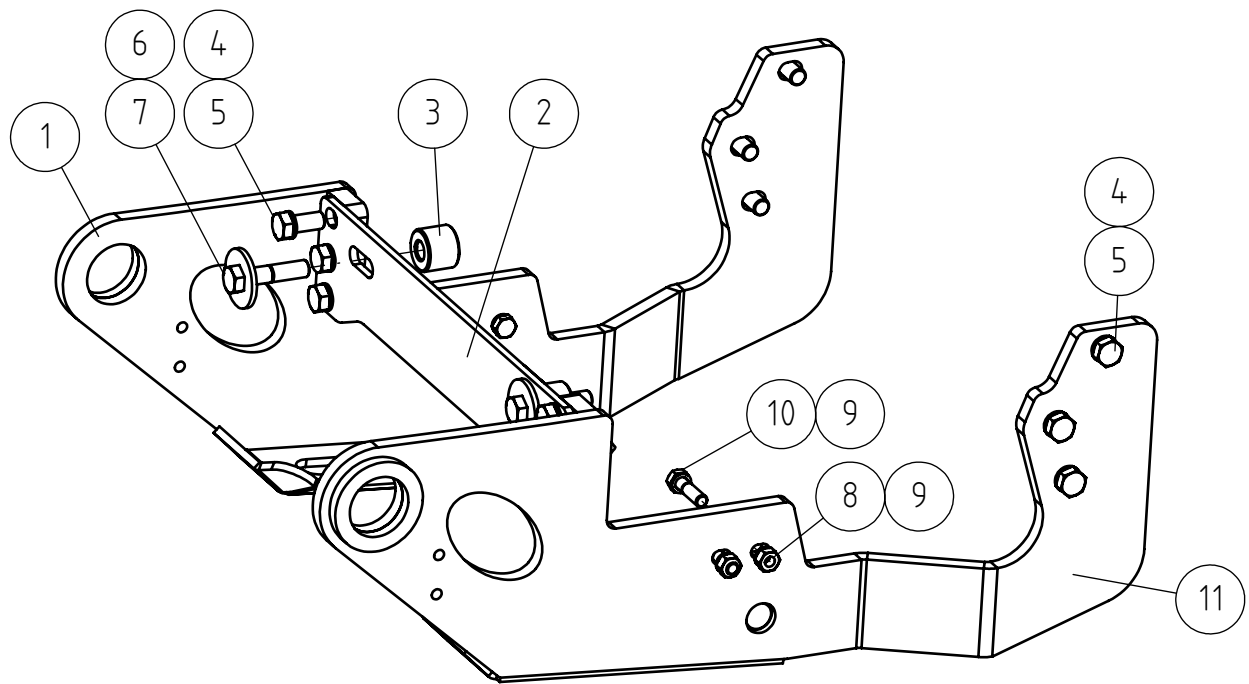
23.1.2024

A441666 ATTACHMENT MOUNTING PLATE REAR 800

| REF | PART NO | QTY | DESCRIPTION | NOTES | PAGE |
|-----|---------|-----|--|-------|------|
| 1 | A438492 | 1 | SUPPORT FRAME, HYDR. REAR LIFT 800 SER | | 212 |
| 2 | A429332 | 1 | FRAME, HYDRAULIC REAR LIFT 700/800 SER | | 214 |
| 3 | A441661 | 1 | HYDRAULIC COMPONENTS ATTACHMENT MOUNTING | | - |
| 4 | 74435 | 8 | WASHER M30 A31 DIN 125 ZN | | - |
| 5 | 74533 | 2 | WASHER, PAIR, M16 NL16 NORDLOCK | | - |
| 6 | 74799 | 2 | HEXAGONAL SCREW M16*35 DIN 933 | | - |
| 7 | 75060 | 4 | LINCH PIN 9,5 MM ZN | | - |
| 8 | A424484 | 2 | WASHER S=6 | | - |
| 9 | A424914 | 2 | ROLLER, HYDR. REAR LIFT 700 SERIES | | 216 |
| 10 | A424919 | 1 | REAR BUMPERS HYDR. REAR LIFT 700/800 | | 218 |
| 11 | A440498 | 1 | PROTECTIVE HOSE EXPLOSION PROTECTION | | - |
| 12 | A440502 | 1 | MOUNTING PLATE, REAR BUMPER 700/800 | | - |
| 13 | A441662 | 2 | ROD, ATTACHMENT MOUNTING PLATE REAR | | - |
| 14 | A449079 | 1 | MOUNTING BRACKET TRAILER SOCKET | | - |
| 15 | 71691 | 2 | WASHER M12 A13 DIN 125 | | - |
| 16 | 73041 | 2 | HEXAGONAL SCREW M12* 25 DIN 933 | | - |
| 17 | A46771 | 1 | DECAL PICTOGR. READ OPERATORS MANUAL | | - |
| 18 | A46803 | 1 | DECAL PICTOGRAM DO NOT REACH OUT... | | - |
| 19 | A451611 | 1 | TYPE PLATE ATTACHMENT MOUNTING PLATE | | - |

23.1.2024

A438492 SUPPORT FRAME, HYDR. REAR LIFT 800 SER

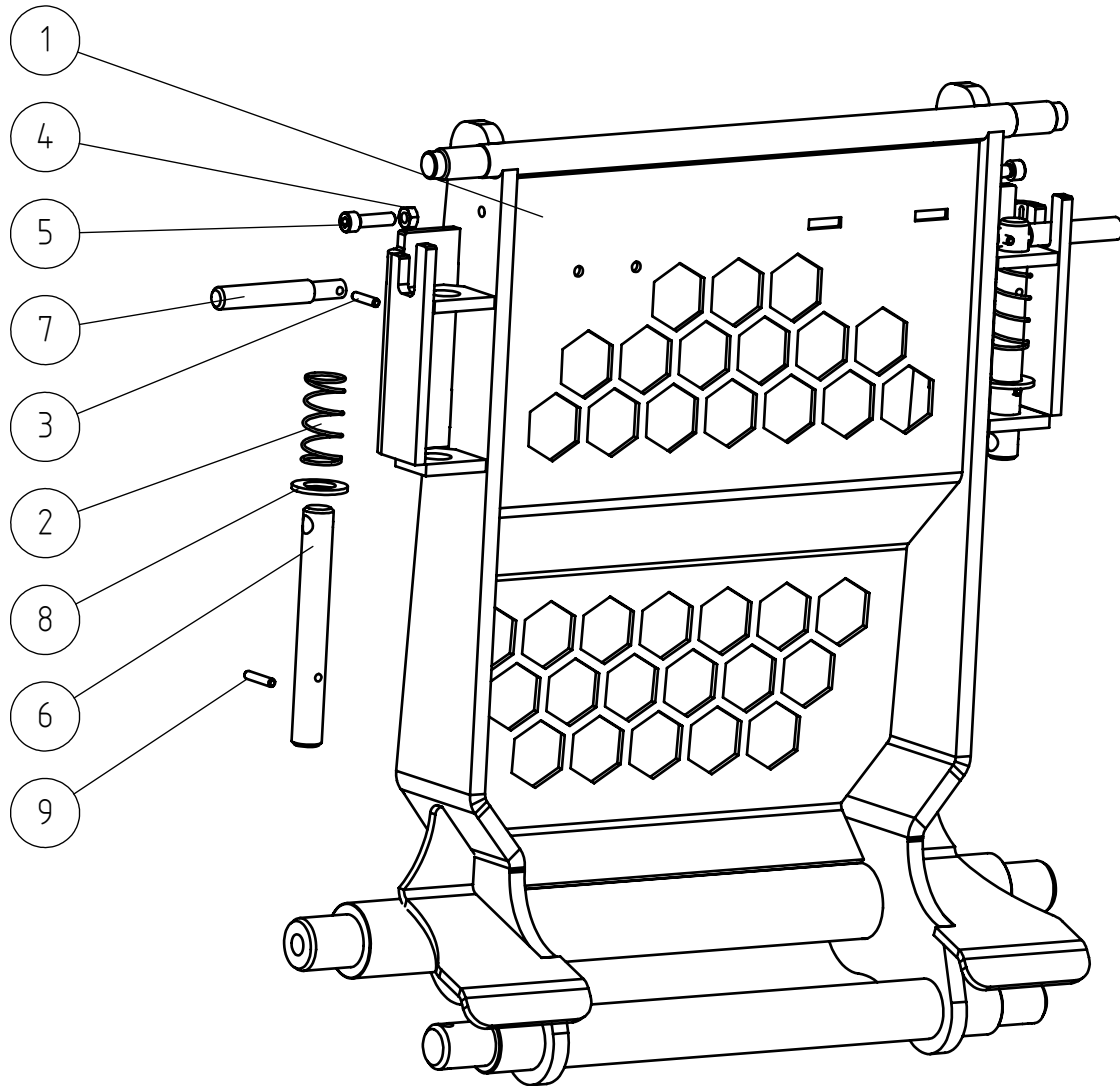


23.1.2024

A438492 SUPPORT FRAME, HYDR. REAR LIFT 800 SER

| REF | PART NO | QTY | DESCRIPTION | NOTES | PAGE |
|-----|---------|-----|---|-------|------|
| 1 | A438493 | 1 | SIDE ARM LEFT, HYDR. REAR LIFT 700/800 | | - |
| 2 | A429294 | 1 | PLATE, HYDR. REAR LIFT 700 SERIES | | - |
| 3 | A429328 | 2 | SPACER S=32 | | - |
| 4 | 74533 | 12 | WASHER, PAIR, M16 NL16 NORDLOCK | | - |
| 5 | 74799 | 12 | HEXAGONAL SCREW M16*35 DIN 933 | | - |
| 6 | 74456 | 2 | WASHER M16 R18 DIN 440 ZN | | - |
| 7 | 72196 | 2 | HEXAGONAL SCREW M16*70 | | - |
| 8 | 72323 | 4 | HEXAGONAL NUT M12 DIN 934 | | - |
| 9 | 74532 | 8 | WASHER NORDLOCK NL12 | | - |
| 10 | 72171 | 4 | HEXAGONAL SCREW M12*45 DIN 931 | | - |
| 11 | A438498 | 1 | SIDE ARM RIGHT, HYDR. REAR LIFT 700/800 | | - |

A429332 FRAME, HYDRAULIC REAR LIFT 700/800 SER



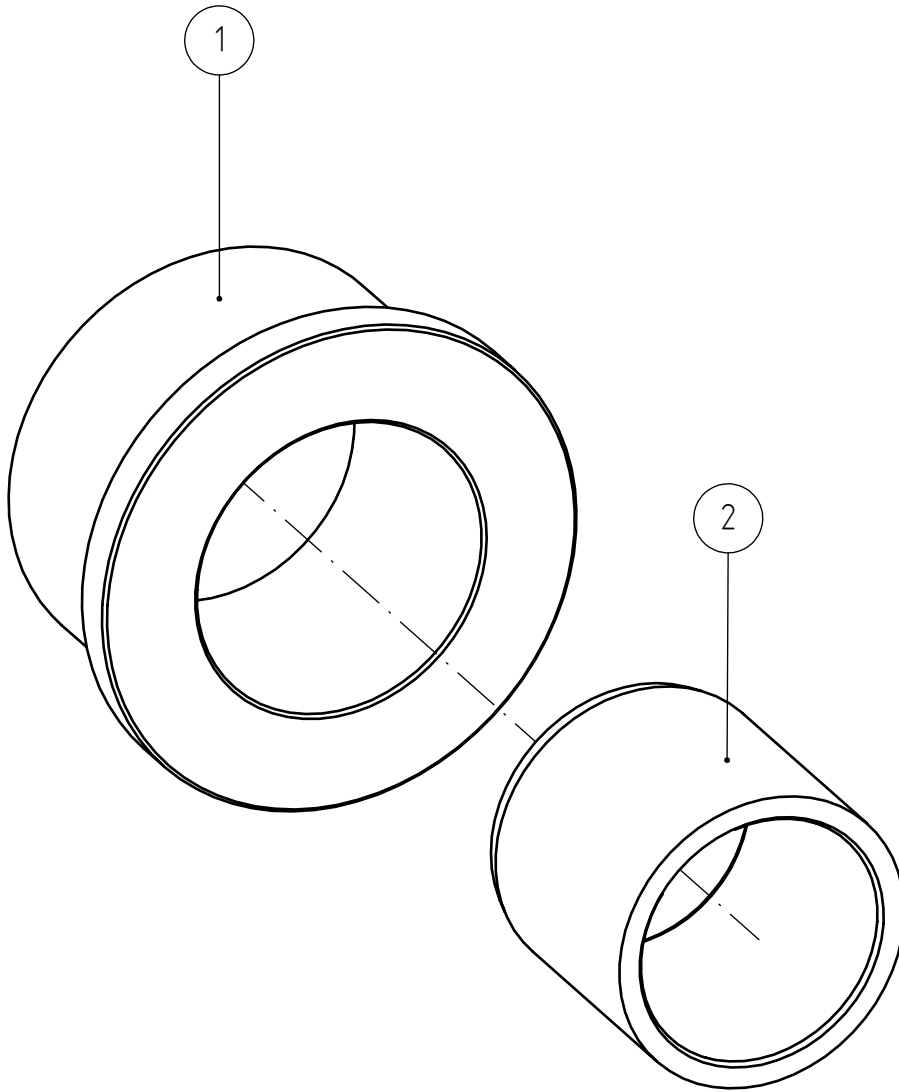
23.1.2024

A429332 FRAME, HYDRAULIC REAR LIFT 700/800 SER

| REF | PART NO | QTY | DESCRIPTION | NOTES | PAGE |
|-----|---------|-----|--------------------------------------|-------|------|
| 1 | A427516 | 1 | FRAME, HYDRAULIC REAR LIFT 700 SER | | - |
| 2 | 64138 | 2 | COMPRESSION SPRIG DIN 2098 2*25*135 | | - |
| 3 | 71762 | 2 | SPRING COTTER PIN 5* 26 DIN 1481 | | - |
| 4 | 72319 | 2 | HEXAGONAL NUT M8 DIN 934 | | - |
| 5 | 73100 | 2 | HEXAGONAL HEAD SCREW M8*30 DIN 912 2 | | - |
| 6 | A47687 | 2 | LOCKING PIN F20 | | - |
| 7 | A47688 | 2 | LATCH PIN | | - |
| 8 | 73123 | 2 | WASHER M20 DIN 125 ZN | | - |
| 9 | 73661 | 2 | SPRING PIN 5*30 DIN 1481 | | - |

23.1.2024

A424914 ROLLER, HYDR. REAR LIFT 700 SERIES



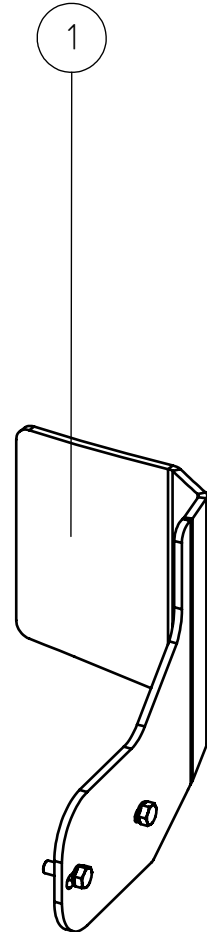
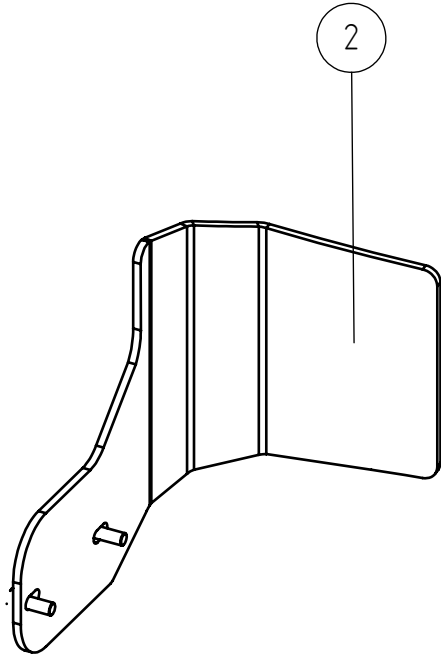
23.1.2024

A424914 ROLLER, HYDR. REAR LIFT 700 SERIES

| REF | PART NO | QTY | DESCRIPTION | NOTES | PAGE |
|-----|---------|-----|-------------------------------------|-------|------|
| 1 | A424475 | 1 | ROLLER, HYDR. REAR LIFT 700/800 SER | | - |
| 2 | A424862 | 1 | SLIDE BEARING 42/35-40 | | - |

23.1.2024

A424919 REAR BUMPERS HYDR. REAR LIFT 700/800



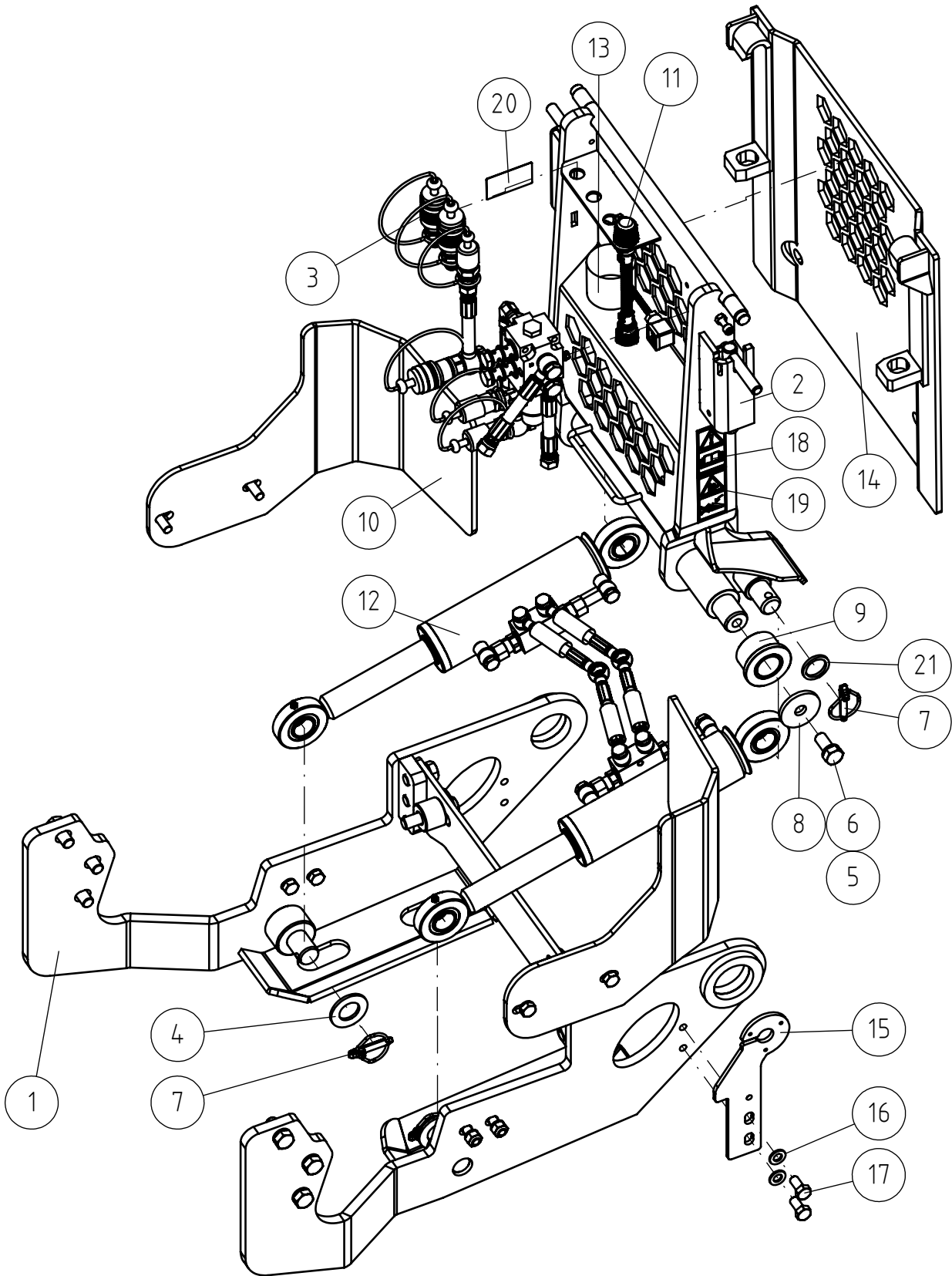
23.1.2024

A424919 REAR BUMPERS HYDR. REAR LIFT 700/800

| REF | PART NO | QTY | DESCRIPTION | NOTES | PAGE |
|-----|---------|-----|-------------------------------------|-------|------|
| 1 | A424514 | 1 | REAR BUMPER LEFT REAR LIFT 700/800 | | - |
| 2 | A424515 | 1 | REAR BUMPER RIGHT REAR LIFT 700/800 | | - |

23.1.2024

A438490 HYDRAULIC REAR LIFT 800 SERIES



23.1.2024

A438490 HYDRAULIC REAR LIFT 800 SERIES

| REF | PART NO | QTY | DESCRIPTION | NOTES | PAGE |
|-----|---------|-----|---|-------|------|
| 1 | A438492 | 1 | SUPPORT FRAME, HYDR. REAR LIFT 800 SER | | 212 |
| 2 | A429332 | 1 | FRAME, HYDRAULIC REAR LIFT 700/800 SER | | 214 |
| 3 | A430749 | 1 | HYDRAULIC COMPONENTS, REAR LIFT 700/800 | | 222 |
| 4 | 74435 | 2 | WASHER M30 A31 DIN 125 ZN | | - |
| 5 | 74533 | 2 | WASHER, PAIR, M16 NL16 NORDLOCK | | - |
| 6 | 74799 | 2 | HEXAGONAL SCREW M16*35 DIN 933 | | - |
| 7 | 75060 | 4 | LINCH PIN 9,5 MM ZN | | - |
| 8 | A424484 | 2 | WASHER S=6 | | - |
| 9 | A424914 | 2 | ROLLER, HYDR. REAR LIFT 700 SERIES | | 216 |
| 10 | A424919 | 1 | REAR BUMPERS HYDR. REAR LIFT 700/800 | | 218 |
| 11 | A431364 | 1 | WIRE HARNESS HYDR. REAR LIFT 700 SERIES | | 224 |
| 12 | A429306 | 1 | HYDRAULIC CYLINDERS REAR LIFT 700/800 | | 226 |
| 13 | A440498 | 1 | PROTECTIVE HOSE EXPLOSION PROTECTION | | - |
| 14 | A440502 | 1 | MOUNTING PLATE, REAR BUMPER 700/800 | | - |
| 15 | A449079 | 1 | MOUNTING BRACKET TRAILER SOCKET | | - |
| 16 | 71691 | 2 | WASHER M12 A13 DIN 125 | | - |
| 17 | 73041 | 2 | HEXAGONAL SCREW M12* 25 DIN 933 | | - |
| 18 | A46771 | 1 | DECAL PICTOGR. READ OPERATORS MANUAL | | - |
| 19 | A46803 | 1 | DECAL PICTOGRAM DO NOT REACH OUT... | | - |
| 20 | A451612 | 1 | TYPE PLATE HYDR. REAR LIFT 800 SERIES | | - |
| 21 | A463613 | 2 | WASHER, HYDR. REAR LIFT | | - |

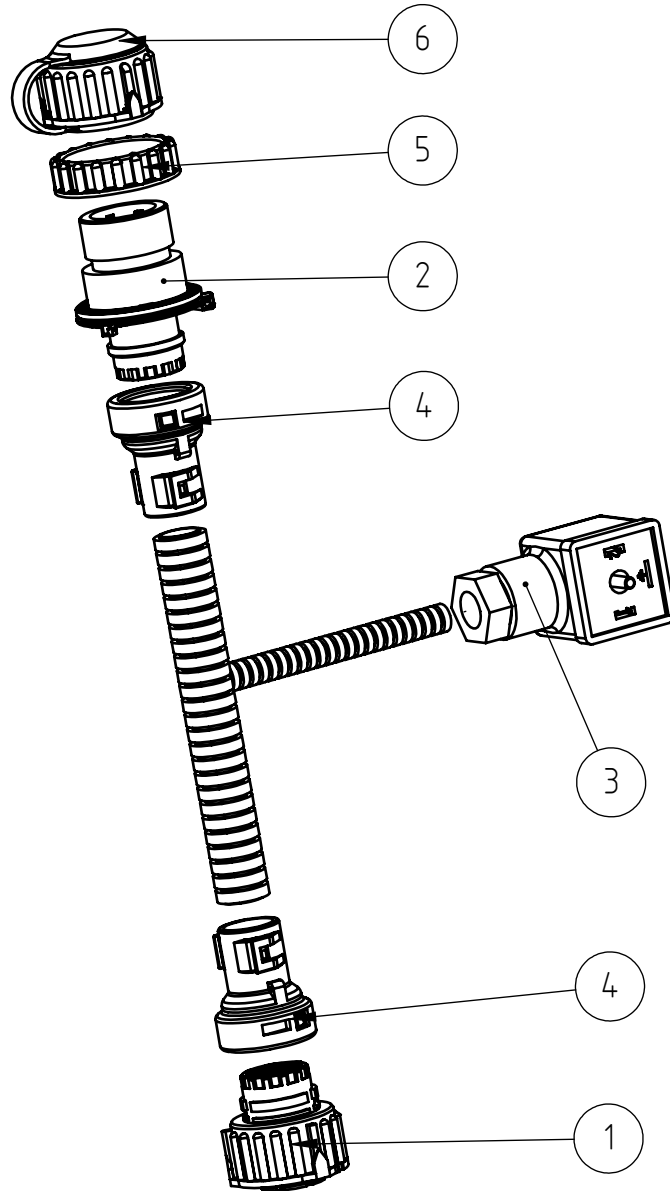
23.1.2024

A430749 HYDRAULIC COMPONENTS, REAR LIFT 700/800

| REF | PART NO | QTY | DESCRIPTION | NOTES | PAGE |
|------|---------|-----|--|-------|------|
| 1 | 73753 | 2 | COVER 1/2" TO MALE QUICK COUPLER | | - |
| 2 | 73754 | 2 | RUBBER PLUG 1/2", TO FEMALE QUICK COUPLE | | - |
| 3 | 65566 | 1 | RUBBER PLUG BLUE 1/2", QUICK COUPLING | | - |
| 4 | 64878 | 1 | COVER, BLUE, QUICK COUPLER MALE 1/2" | | - |
| 5 | 73954 | 2 | BANJO BOLT R3/8" L=29 | | - |
| 6 | 73379 | 10 | USIT-COMPRESSION 3/8" | | - |
| 7 | 73047 | 6 | USIT SEAL RING R/12" | | - |
| 8 | 64042 | 1 | BASIC FITTING F40XS12-3/8 /8 | | - |
| 9 | 64134 | 1 | ELBOW FITTING 90 DEGR. C6XS12 | | - |
| 10 | 64068 | 1 | ELBOW FITTING 90 DEGR. C40XS12-3/8 /8 | | - |
| 11 | A430728 | 2 | HYDR. HOSE L=520 | | - |
| 12 | A430731 | 3 | HYDR. HOSE L=1110 | | - |
| 13 | 73457 | 1 | QUICK COUPLER 1/2" (FEMALE) | | - |
| 14 | 73409 | 2 | QUICK COUPLER NIPPLE 1/2" (MALE) ATTACHM | | - |
| 15 | 66305 | 2 | BANJO BOLT DOUBLE BFDG06 | | - |
| 16 | A430747 | 2 | HEXAGONAL HEAD SCREW M6*50 DIN 912 2 | | - |
| 17 | 71680 | 2 | WASHER M6 DIN 125 | | - |
| 18 | 72318 | 2 | HEXAGONAL NUT M 6 DIN 985 NYLOC | | - |
| 19 | 64190 | 2 | QUICK COUPLING PART 1/2" 2V54-T5X4 FEMAL | | - |
| 20 | 64189 | 1 | QUICK COUPLING MALE UNION 1/2" 4V14-T5X4 | | - |
| 21 | 65099 | 1 | SELECTOR VALVE DFE100/6 12VDC | | - |
| 21.1 | A430809 | 1 | SOLENOID 12VDC | | - |
| 22 | 73959 | 3 | BANJO BOLT R 1/2" | | - |

23.1.2024

A431364 WIRE HARNESS HYDR. REAR LIFT 700 SERIES



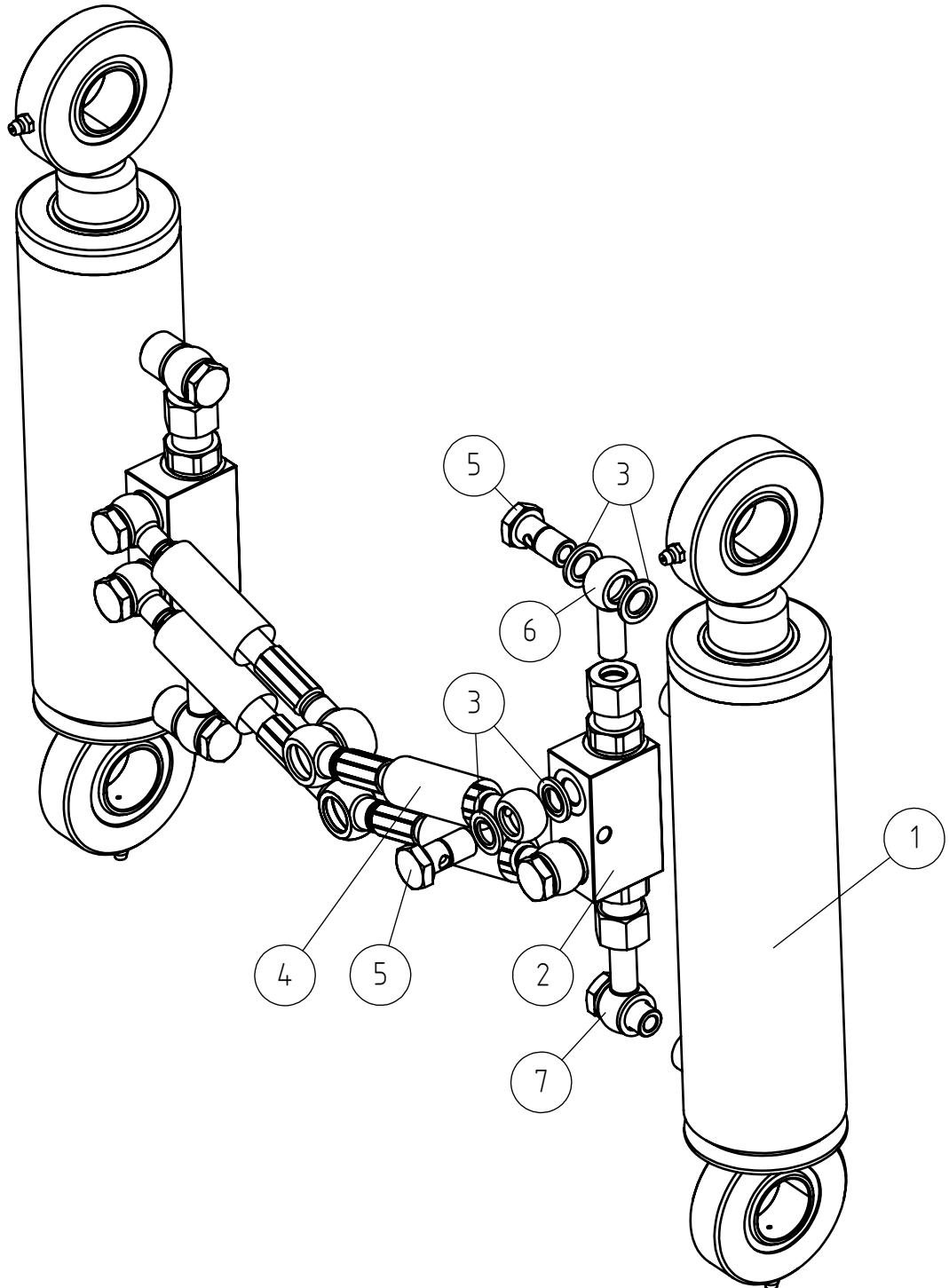
23.1.2024

A431364 WIRE HARNESS HYDR. REAR LIFT 700 SERIES

| REF | PART NO | QTY | DESCRIPTION | NOTES | PAGE |
|-----|---------|-----|-----------------------------------|-------|------|
| 1 | A426621 | 1 | CONNECTOR HOUSING 7-PIN | | - |
| 2 | A430219 | 1 | PIN HOUSING CONNECTOR 7-PIN | | - |
| 3 | 64601 | 1 | CONNECTOR HIRSCHMANN | | - |
| 4 | A430225 | 2 | COVER FOR PROTECTIVE PIPE | | - |
| 5 | 74817 | 1 | MOUNTING NUT AMP 964610 | | - |
| 6 | 74816 | 1 | COVER, ELECTRIC CONNECTOR 4/7 PIN | | - |

23.1.2024

A429306 HYDRAULIC CYLINDERS REAR LIFT 700/800



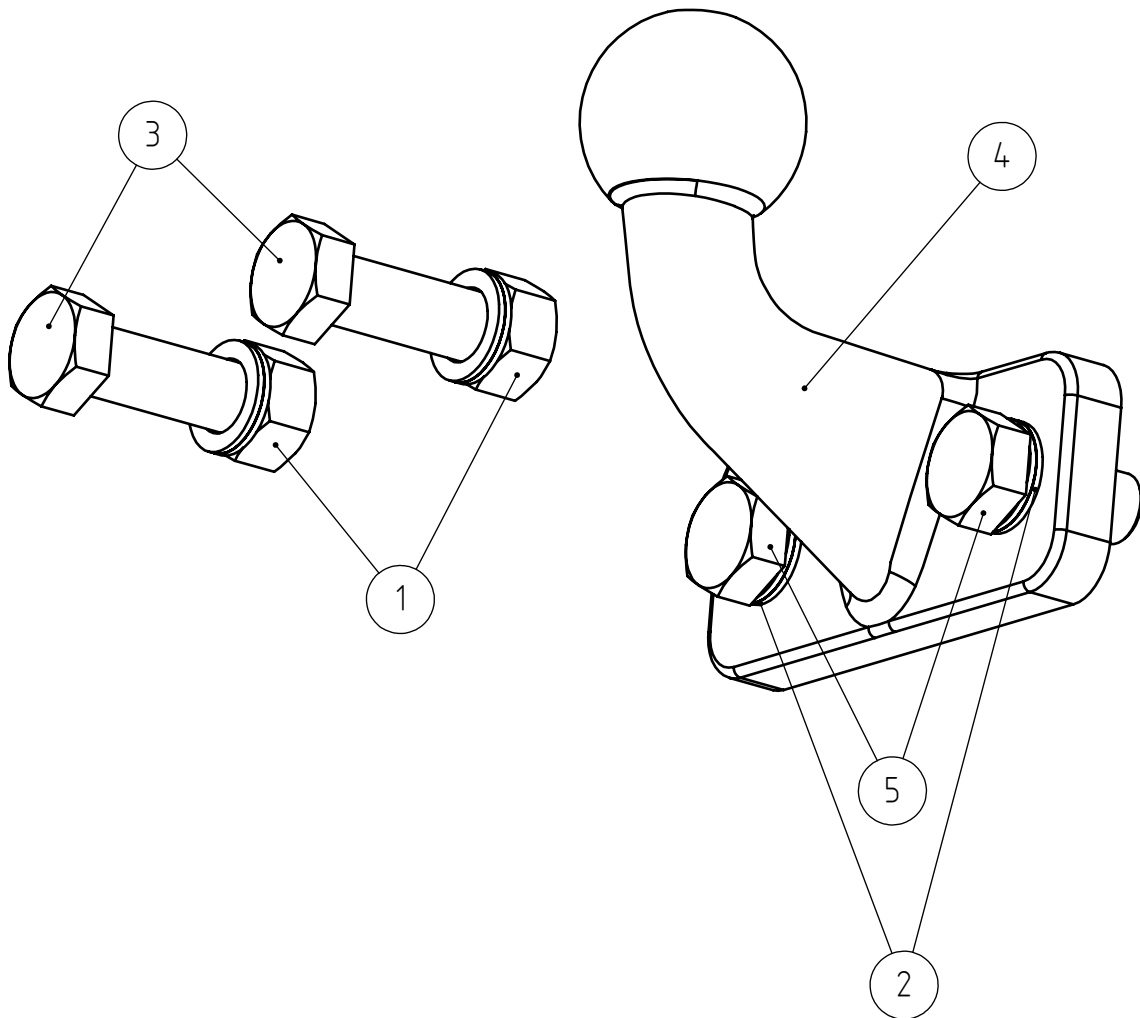
23.1.2024

A429306 HYDRAULIC CYLINDERS REAR LIFT 700/800

| REF | PART NO | QTY | DESCRIPTION | NOTES | PAGE |
|-----|---------|-----|---|-------|------|
| 1 | A432354 | 2 | HYDRAULIC CYLINDER F63/F36-150 | | - |
| 1.1 | 64273 | 1 | ARTICUL. BEARING GE30ESF47/30-22(18) | | - |
| 1.2 | A418416 | 1 | SEAL KIT, 63/36 CYLINDER, ON ATTACHMENT | | - |
| 2 | A425280 | 2 | CHECK VALVE DOUBLE PILOT | | - |
| 3 | 73757 | 16 | USIT COMPRESSION R1/4" | | - |
| 4 | A430733 | 4 | HYDR. HOSE L=990 | | - |
| 5 | 64557 | 8 | BANJO BOLT R 1/4" | | - |
| 6 | A425305 | 2 | BANJO TUBE G1/4" L=38 | | - |
| 7 | A432394 | 2 | BANJO TUBE G1/4" L=60 | | - |

23.1.2024

A417323 BALL HITCH, REAR, 50 MM COMPLETE ASSEMBLY



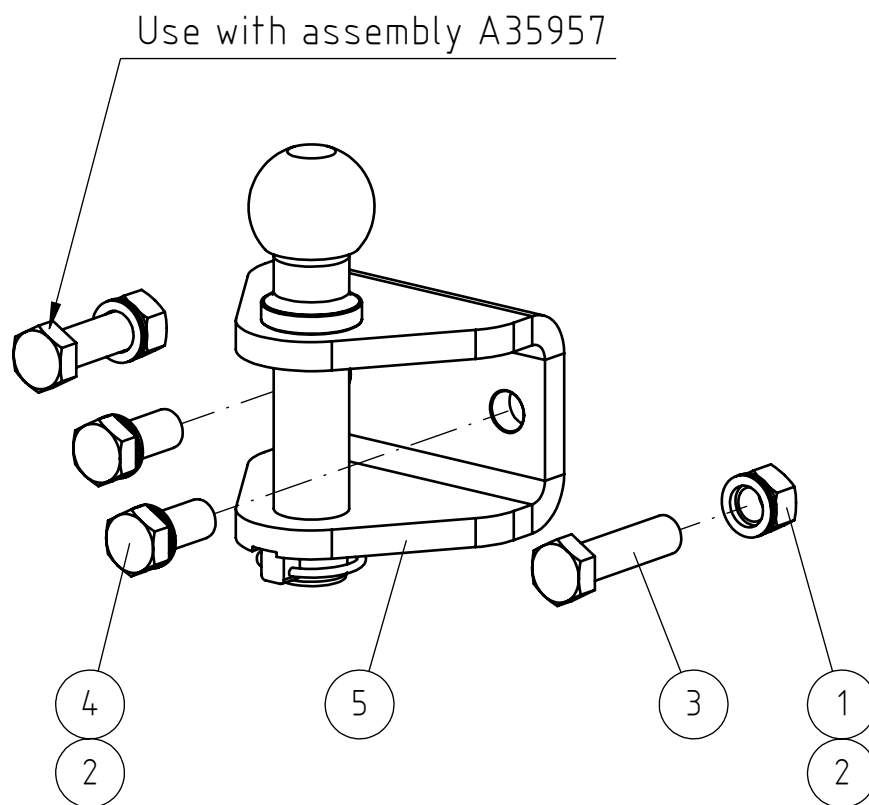
23.1.2024

A417323 BALL HITCH, REAR, 50 MM COMPLETE ASSEMBLY

| REF | PART NO | QTY | DESCRIPTION | NOTES | PAGE |
|-----|---------|-----|--------------------------------------|-------|------|
| 1 | 72329 | 2 | HEXAGONAL NUT M 16 DIN 934 | | - |
| 2 | 74533 | 4 | WASHER, PAIR, M16 NL16 NORDLOCK | | - |
| 3 | 73569 | 2 | HEXAGONAL SCREW M16* 60 DIN 933 | | - |
| 4 | 65901 | 1 | BALL HITCH 50MM AND PIN TOWING HITCH | | - |
| 5 | 74799 | 2 | HEXAGONAL SCREW M16*35 DIN 933 | | - |

23.1.2024

A417337 BALL HITCH, REAR, 50MM WITH TOWING PIN



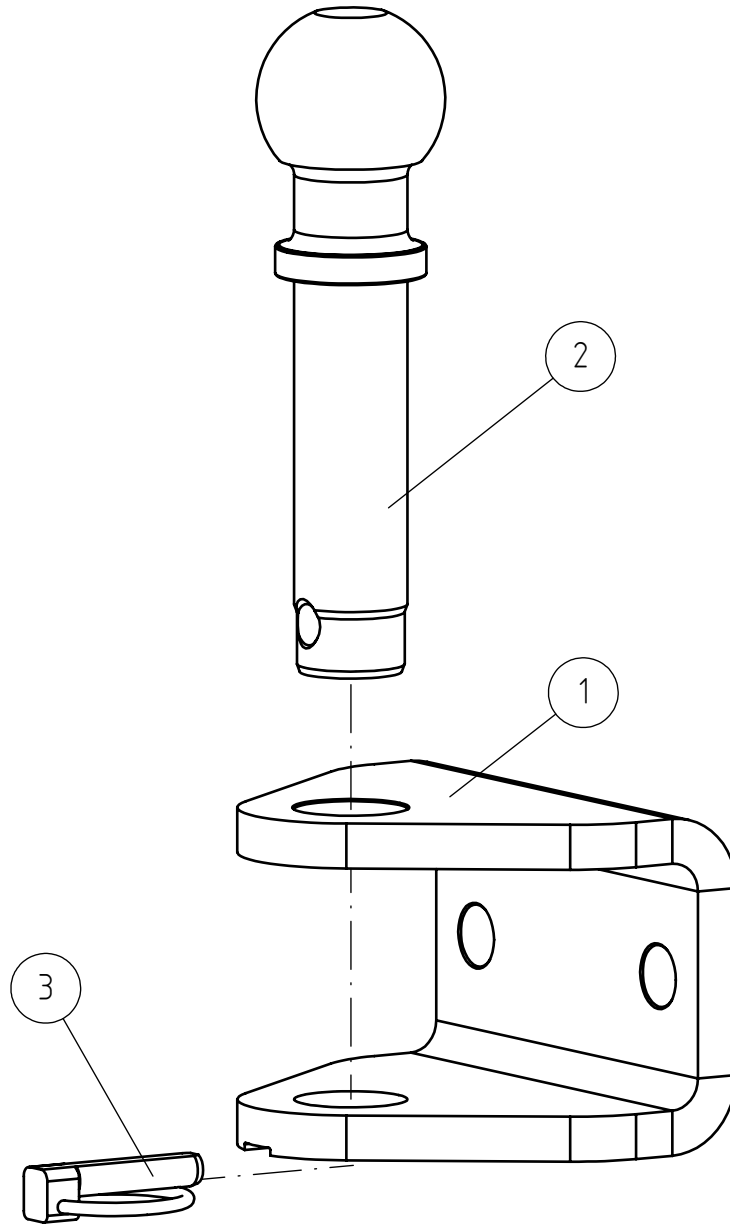
23.1.2024

A417337 BALL HITCH, REAR, 50MM WITH TOWING PIN

| REF | PART NO | QTY | DESCRIPTION | NOTES | PAGE |
|-----|---------|-----|-------------------------------------|-------|------|
| 1 | 72329 | 2 | HEXAGONAL NUT M 16 DIN 934 | | - |
| 2 | 74533 | 4 | WASHER, PAIR, M16 NL16 NORDLOCK | | - |
| 3 | 73569 | 2 | HEXAGONAL SCREW M16* 60 DIN 933 | | - |
| 4 | 74799 | 2 | HEXAGONAL SCREW M16*35 DIN 933 | | - |
| 5 | A444928 | 1 | BALL HITCH REAR WITH TOWING PIN F50 | | 232 |

23.1.2024

A444928 BALL HITCH REAR WITH TOWING PIN F50

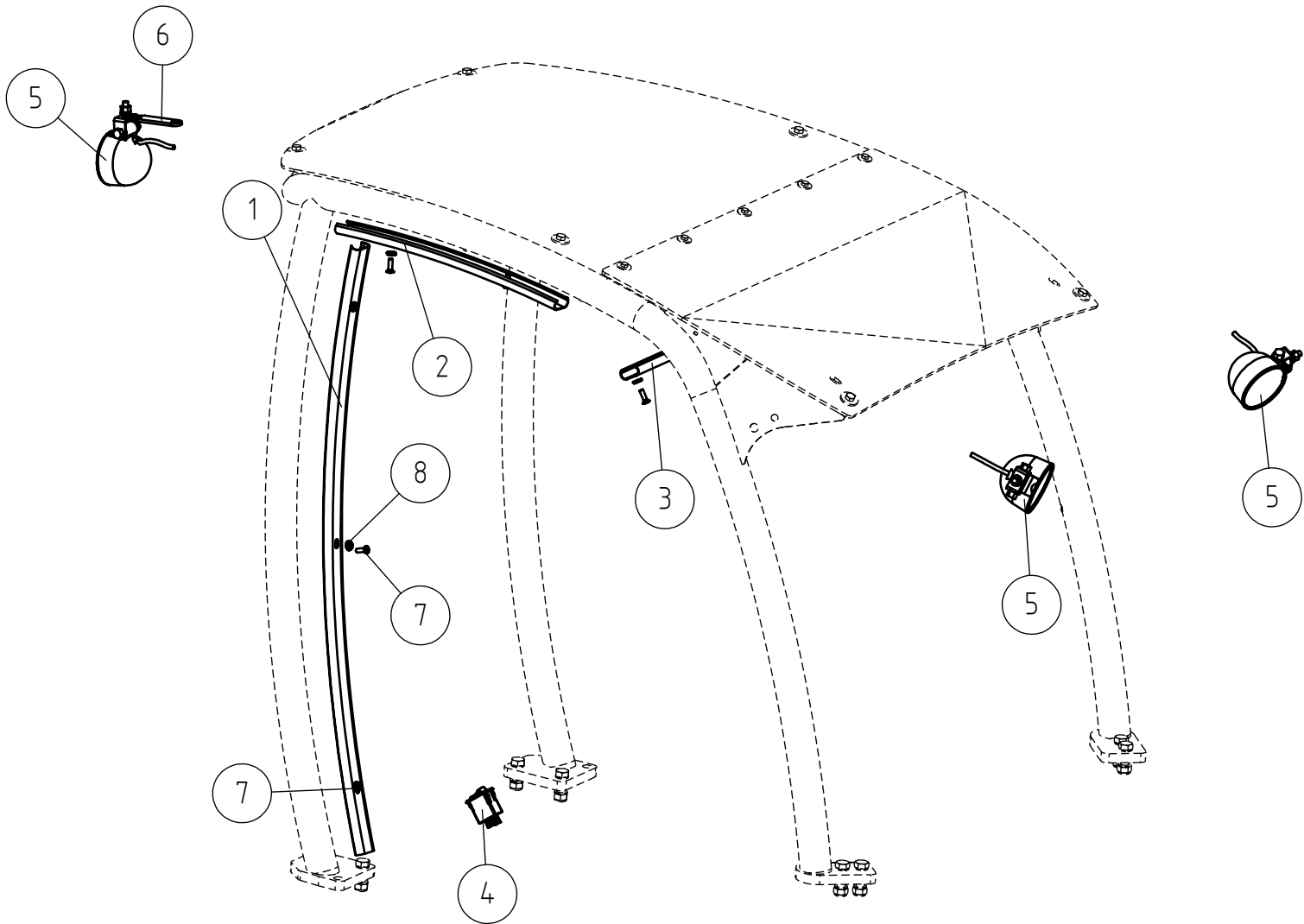


23.1.2024

A444928 BALL HITCH REAR WITH TOWING PIN F50

| REF | PART NO | QTY | DESCRIPTION | NOTES | PAGE |
|-----|---------|-----|---------------------------------|-------|------|
| 1 | A444926 | 1 | MOUNTING BRACKET TOWING PIN | | - |
| 2 | A443223 | 1 | TOWING PIN WITH 50MM BALL HITCH | | - |
| 3 | 71727 | 1 | LINCH PIN 9,5 MM | | - |

A438520 WORK LIGHT KIT, 3 LED LIGHTS 700 LUMEN



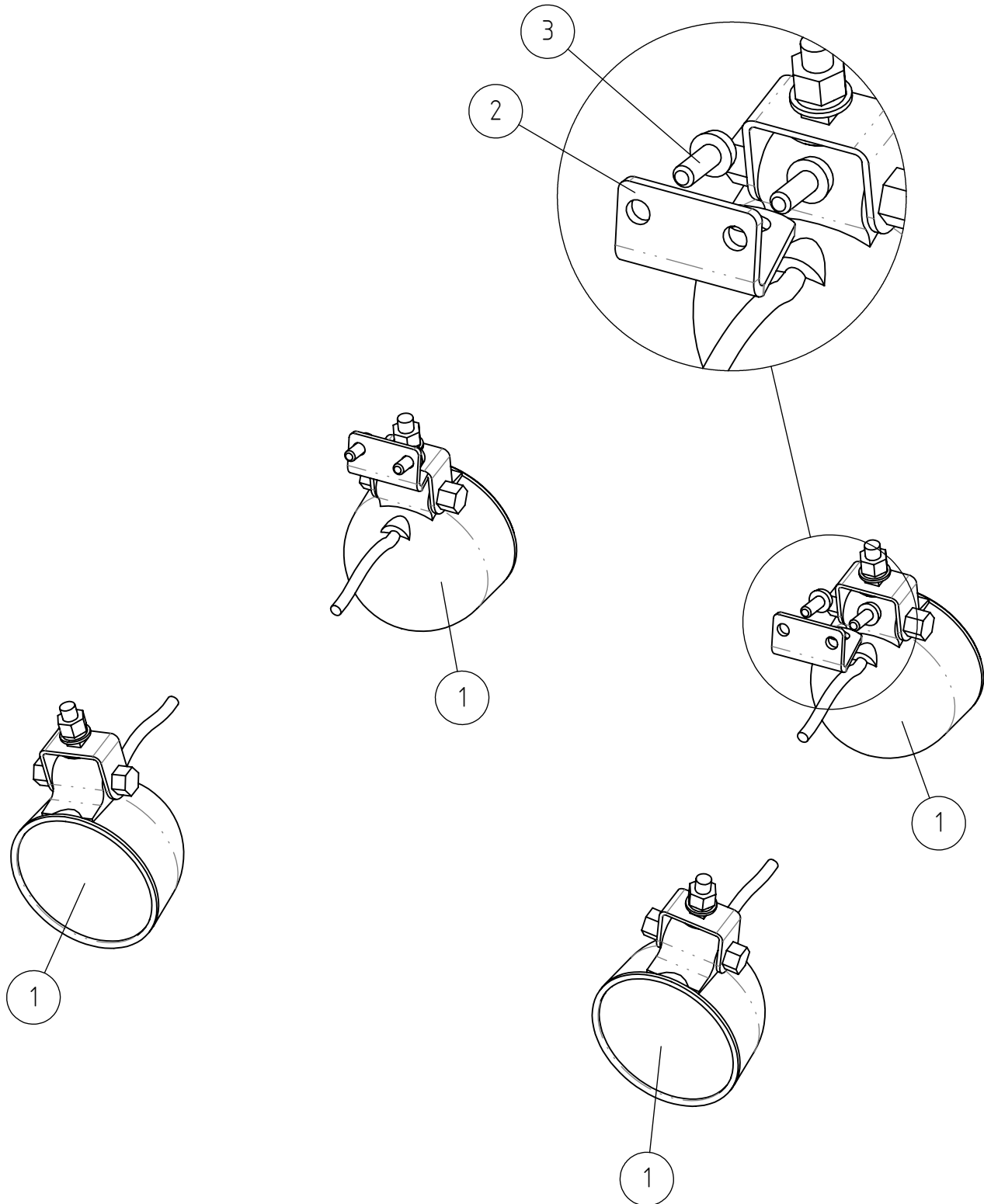
23.1.2024

A438520 WORK LIGHT KIT, 3 LED LIGHTS 700 LUMEN

| REF | PART NO | QTY | DESCRIPTION | NOTES | PAGE |
|-----|---------|-----|--|------------|------|
| 1 | A49080 | 1 | COVER STRIP, SIDE | | - |
| 2 | A49079 | 1 | COVER STRIP, MIDDLE | | - |
| 3 | A49077 | 1 | COVER STRIP, UPPER | | - |
| 4 | 65066 | 1 | SWITCH, WORK LIGHT | | - |
| 5* | 66068 | 3 | WORK LIGHT LED 700 LUMEN 12V/12W COBO | 700 Lumen | - |
| 5** | A419163 | 3 | WORK LIGHT LED 2500 LUMEN WITH CONNECTOR | 2500 Lumen | - |
| 6 | A412802 | 1 | MOUNTING BRACKET WORK LIGHT LED | | - |
| 7 | 74767 | 8 | RAISED COUNTERSUNK HEAD SCREW M6*20 | | - |
| 8 | 74768 | 8 | WASHER CONICAL M6 | | - |
| 9 | A437372 | 1 | WIRE HARNESS WORK LIGHT KIT / BEACON | | - |

23.1.2024

A438528 WORK LIGHT KIT LED 700LM CAB GT



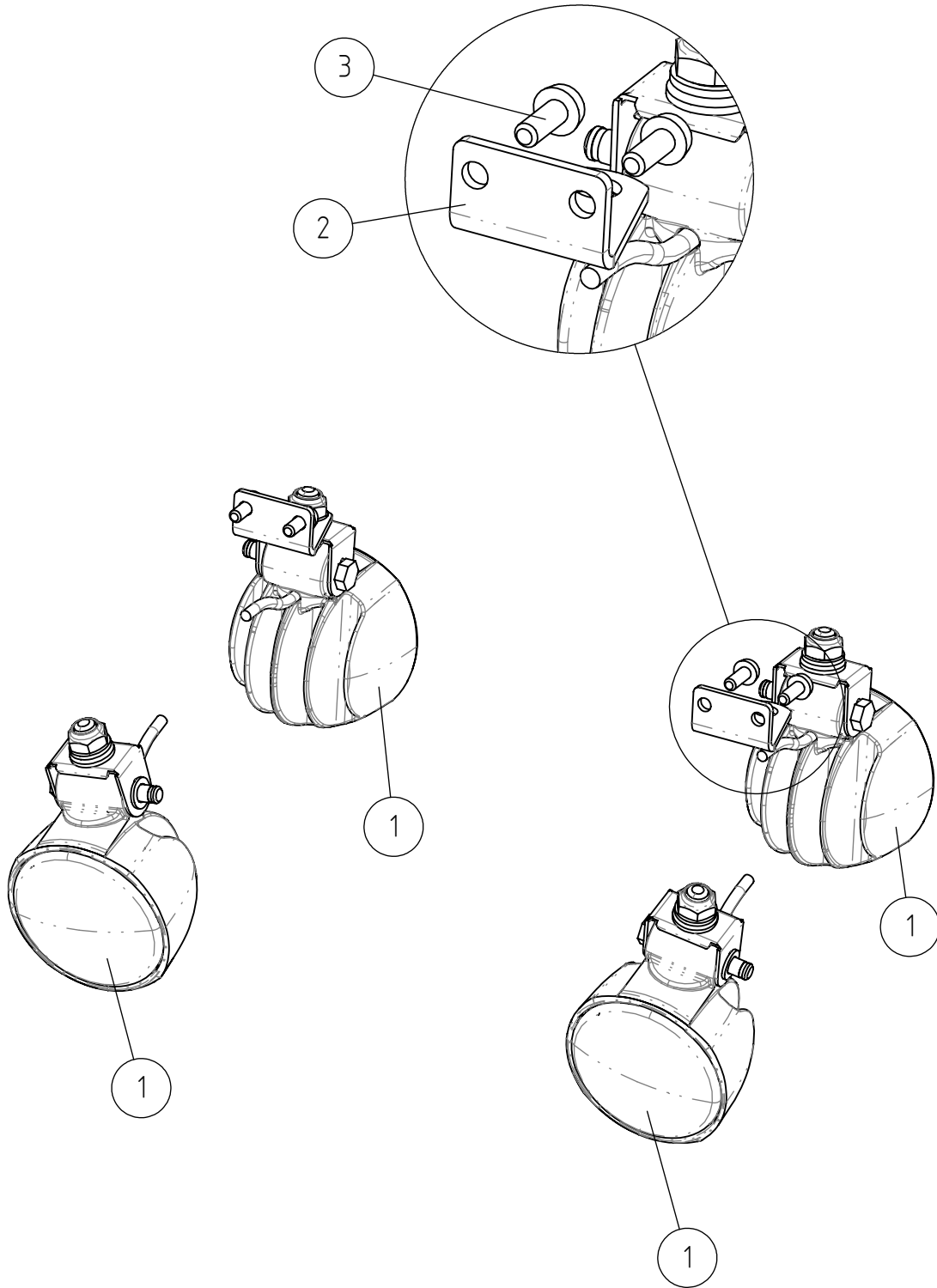
23.1.2024

A438528 WORK LIGHT KIT LED 700LM CAB GT

| REF | PART NO | QTY | DESCRIPTION | NOTES | PAGE |
|-----|---------|-----|--|------------|------|
| 1* | 66068 | 4 | WORK LIGHT LED 700 LUMEN 12V/12W COBO | 700 Lumen | - |
| 1** | A419163 | 4 | WORK LIGHT LED 2500 LUMEN WITH CONNECTOR | 2500 Lumen | - |
| 2 | A438523 | 2 | MOUNTING BRACKET WORK LIGHT CAB 800 SER | | - |
| 3 | 75129 | 4 | THREAD-FORMING SCREW M6*16 DIN 7500C | | - |

23.1.2024

A438539 WORK LIGHT KIT LED 2500LM CAB GT



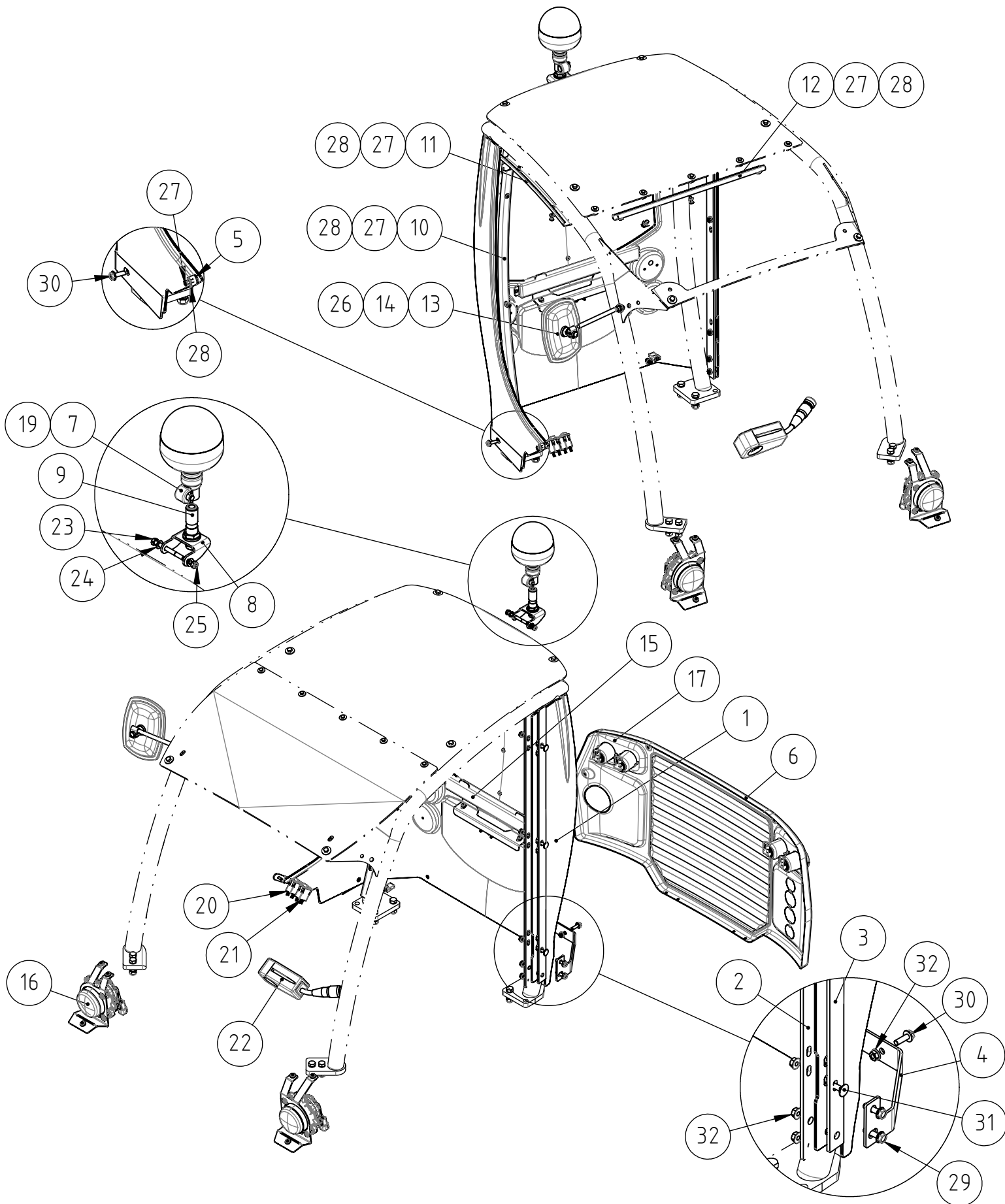
23.1.2024

A438539 WORK LIGHT KIT LED 2500LM CAB GT

| REF | PART NO | QTY | DESCRIPTION | NOTES | PAGE |
|-----|---------|-----|--|------------|------|
| 1 | A419163 | 4 | WORK LIGHT LED 2500 LUMEN WITH CONNECTOR | 2500 Lumen | - |
| 2 | A438523 | 2 | MOUNTING BRACKET WORK LIGHT CAB 800 SER | | - |
| 3 | 75129 | 4 | THREAD-FORMING SCREW M6*16 DIN 7500C | | - |

23.1.2024

A454167 ROAD TRAFFIC KIT, ON ROPS 860I, WEEK



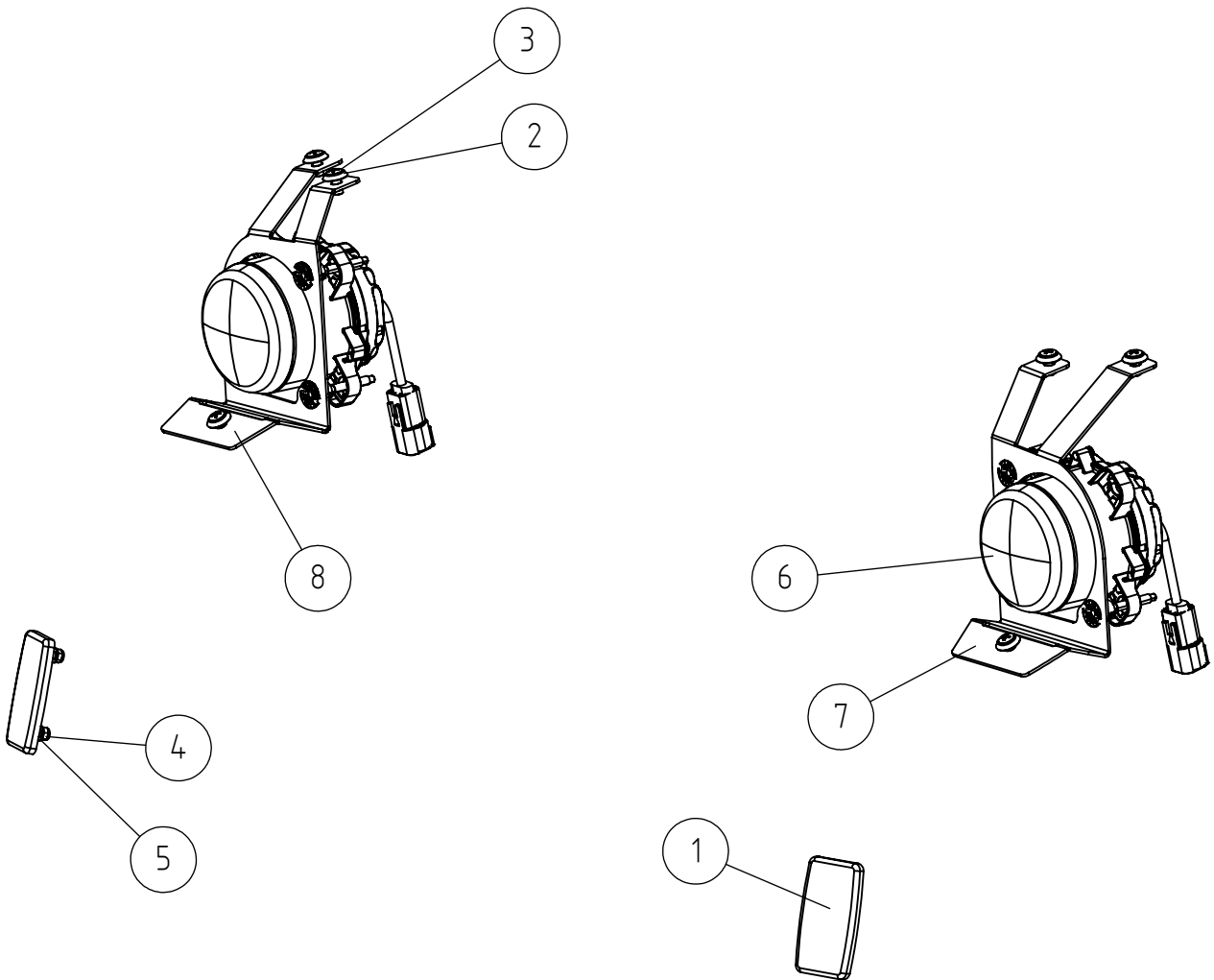
23.1.2024

A454167 ROAD TRAFFIC KIT, ON ROPS 860I, WEEK

| REF | PART NO | QTY | DESCRIPTION | NOTES | PAGE |
|------|---------|-----|--|-------|------|
| 1 | A438703 | 1 | REAR WALL WITH WINDOW + SLOW MOVING | | - |
| 2 | A49354 | 1 | FRAME, INNER | | - |
| 3 | A49353 | 1 | FRAME, OUTER | | - |
| 4 | A49356 | 1 | MOUNTING BRACKET, LOWER | | - |
| 5 | A410060 | 1 | BRACKET | | - |
| 6 | A437383 | 1 | REAR GRILLE WITH LIGHTS, ASSEMBLY, | | - |
| 6.1 | 64849 | 2 | BLINKER | | - |
| 6.2 | 65548 | 2 | TAIL LIGHT RED COBO | | - |
| 7 | A435335 | 1 | BEACON, ORANGE WITH LED LIGHT 11W | | - |
| 8 | A49059 | 1 | BRACKET, BEACON | | - |
| 9 | 65058 | 1 | BRACKET (PIN), BEACON | | - |
| 10 | A49080 | 1 | COVER STRIP, SIDE | | - |
| 11 | A49079 | 1 | COVER STRIP, MIDDLE | | - |
| 12 | A445420 | 1 | COVER STRIP UPPER GREY | | - |
| 13 | 64389 | 1 | SIDE MIRROR CONVEX GLASS 185*135 MM | | - |
| 14 | A411594 | 1 | ARM, SIDE MIRROR | | - |
| 15 | A435070 | 1 | SLOW MOVING VEHICLE TRIANGLE 430X45X30 | | - |
| 16 | A452132 | 1 | HEADLAMP ASSEMBLY AVANT 800 CAB GT & | | 242 |
| 17 | A437335 | 1 | WIRE HARNESS ROAD TRAFFIC KIT REAR 700/8 | | - |
| 18 | A449798 | 1 | WIRE HARNESS ROAD TRAFFIC KIT FRONT | | - |
| 18.1 | A438175 | 2 | RELAY 12V/30A | | - |
| 18.2 | 65751 | 1 | INDICATOR RELAY 12V 84W WEH-54 201 102 | | - |
| 19 | A437372 | 1 | WIRE HARNESS WORK LIGHT KIT / BEACON | | - |
| 20 | 65064 | 1 | SWITCH, WARNING BLINKER | | - |
| 21 | 65065 | 1 | SWITCH, BEACON | | - |
| 22 | 64851 | 1 | LIGHTS/BLINKERS LEVER SWITCH | | - |
| 23 | 72143 | 1 | HEX. SCREW M8*80 DIN 931 | | - |
| 24 | 73122 | 2 | WASHER M8 A8,4 DIN 125 ZN | | - |
| 25 | 72320 | 1 | HEXAGONAL NUT M8 NYLOC DIN 985 | | - |
| 26 | A450048 | 2 | HEXAGONAL NUT M12 WITH FLANGE | | - |
| 27 | 74767 | 9 | RAISED COUNTERSUNK HEAD SCREW M6*20 | | - |
| 28 | 74768 | 9 | WASHER CONICAL M6 | | - |
| 29 | A429203 | 2 | HEXAGONAL SERRATED SCREW M8*30 WITH | | - |
| 30 | A429202 | 3 | HEXAGONAL SERRATED SCREW M8*25 WITH FLAN | | - |
| 31 | 74857 | 3 | CARRIAGE BOLT M8*25 DIN603 | | - |
| 32 | A450046 | 8 | HEXAGONAL NUT M8 WITH FLANGE | | - |

23.1.2024

A452132 HEADLAMP ASSEMBLY AVANT 800 CAB GT &



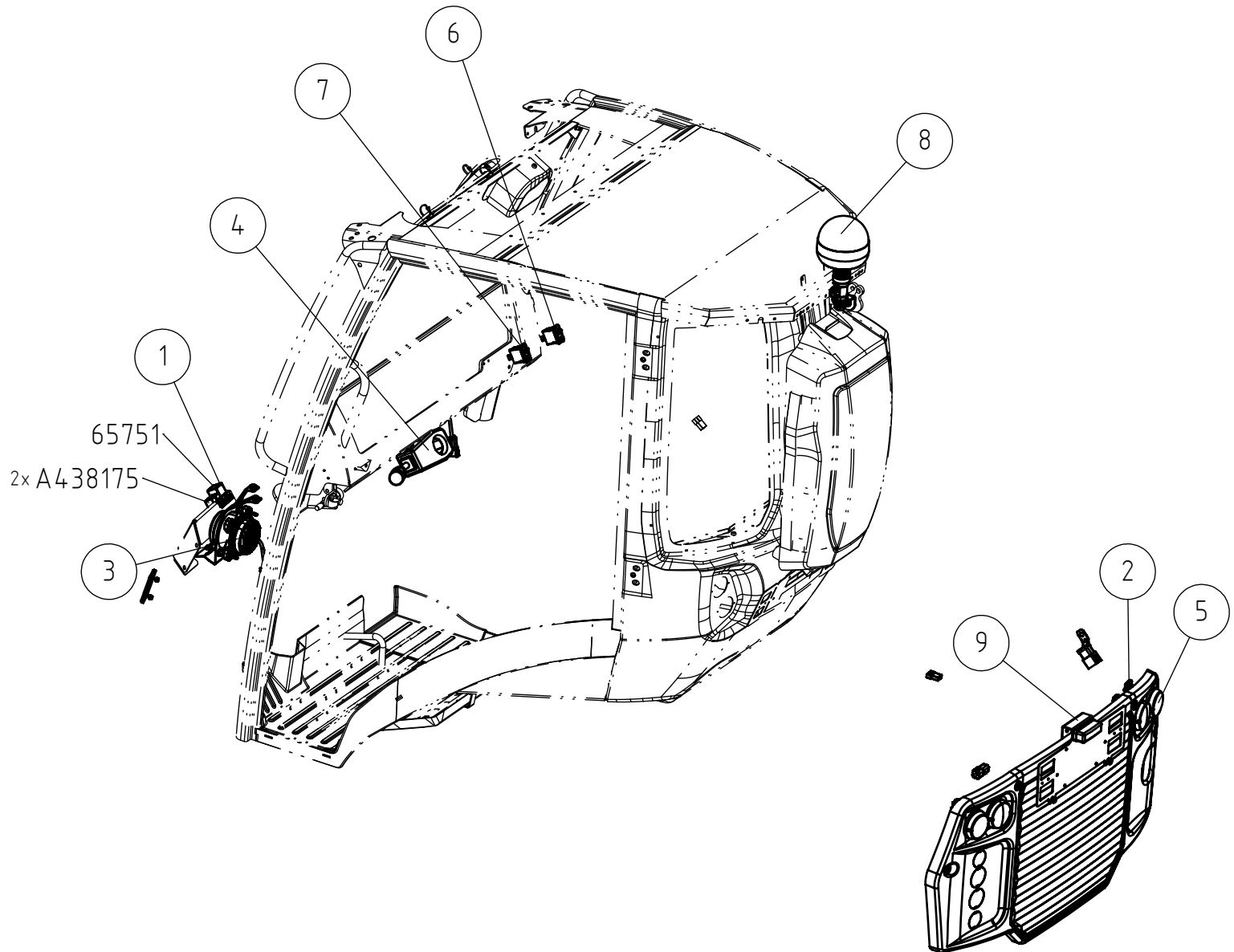
23.1.2024

A452132 HEADLAMP ASSEMBLY AVANT 800 CAB GT &

| REF | PART NO | QTY | DESCRIPTION | NOTES | PAGE |
|-----|---------|-----|--|-------|------|
| 1 | A431705 | 2 | REFLECTOR WHITE 80,6X44,6X9MM | | - |
| 2 | A422221 | 6 | WASHER M6 GREEN PLASTIC, ANALOG FOR | | - |
| 3 | 74785 | 6 | COUNTERS. CROSS HEAD SCREW M6*16 | | - |
| 4 | 72315 | 4 | HEXAGONAL NUT M5 NYLOC DIN 985 | | - |
| 5 | 74448 | 4 | WASHER M5 A5,3 DIN 125 ZN | | - |
| 6 | A443591 | 2 | HEADLAMP / PARKING LIGHT / INDICATOR LED | | - |
| 7 | A452116 | 1 | MOUNTING BRACKET LEFT FRONT LIGHT LED | | - |
| 8 | A452117 | 1 | MOUNTING BRACKET LEFT FRONT RIGHT LED | | - |

23.1.2024

A455539 ROAD TRAFFIC KIT CAB GT 800 SERIES, WEEK

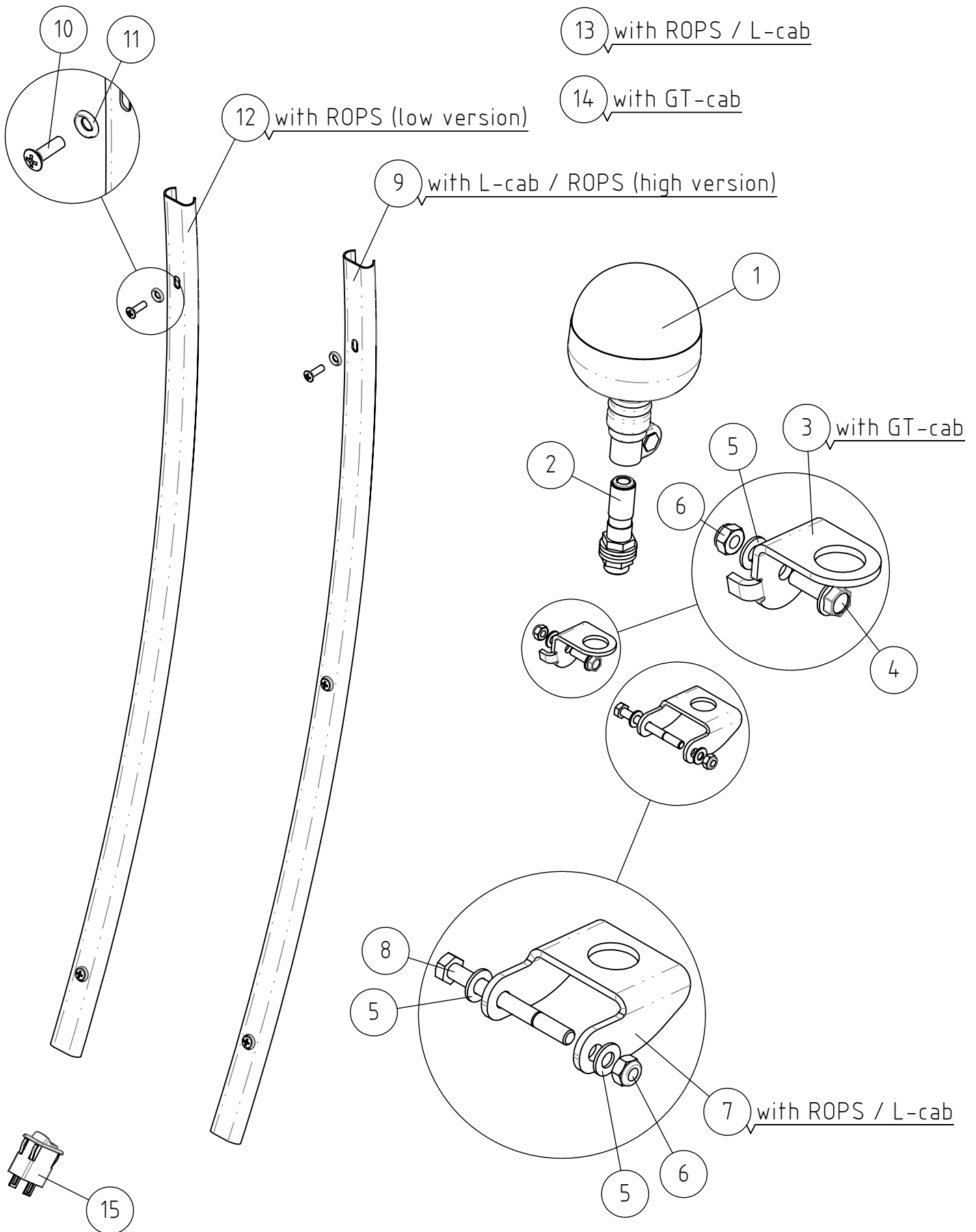


23.1.2024

A455539 ROAD TRAFFIC KIT CAB GT 800 SERIES, WEEK

| REF | PART NO | QTY | DESCRIPTION | NOTES | PAGE |
|-----|---------|-----|--|-------|------|
| 1 | A449798 | 1 | WIRE HARNESS ROAD TRAFFIC KIT FRONT | | - |
| 1.1 | A438175 | 2 | RELAY 12V/30A | | - |
| 1.2 | 65751 | 1 | INDICATOR RELAY 12V 84W WEH-54 201 102 | | - |
| 2 | A437335 | 1 | WIRE HARNESS ROAD TRAFFIC KIT REAR 700/8 | | - |
| 3 | A452132 | 1 | HEADLAMP ASSEMBLY AVANT 800 CAB GT & | | 242 |
| 4 | 64851 | 1 | LIGHTS/BLINKERS LEVER SWITCH | | - |
| 5 | A437383 | 1 | REAR GRILLE WITH LIGHTS, ASSEMBLY, | | - |
| 5.1 | 64849 | 2 | BLINKER | | - |
| 5.2 | 65548 | 2 | TAIL LIGHT RED COBO | | - |
| 6 | 65064 | 1 | SWITCH, WARNING BLINKER | | - |
| 7 | 65065 | 1 | SWITCH, BEACON | | - |
| 8 | A438530 | 1 | BEACON 800 SERIES | | 246 |
| 9 | A442240 | 1 | MOUNTING BRACKET ASSEMBLY LICENCE PLATE | | - |

A438530 BEACON 800 SERIES



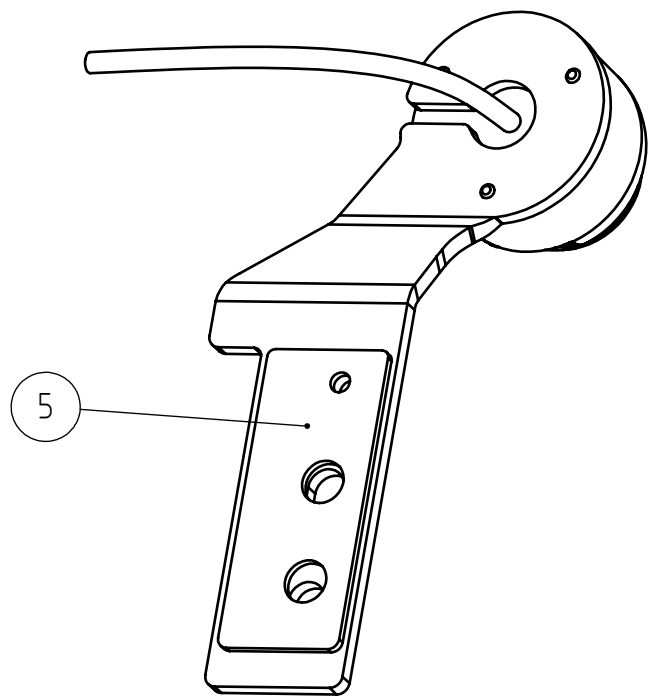
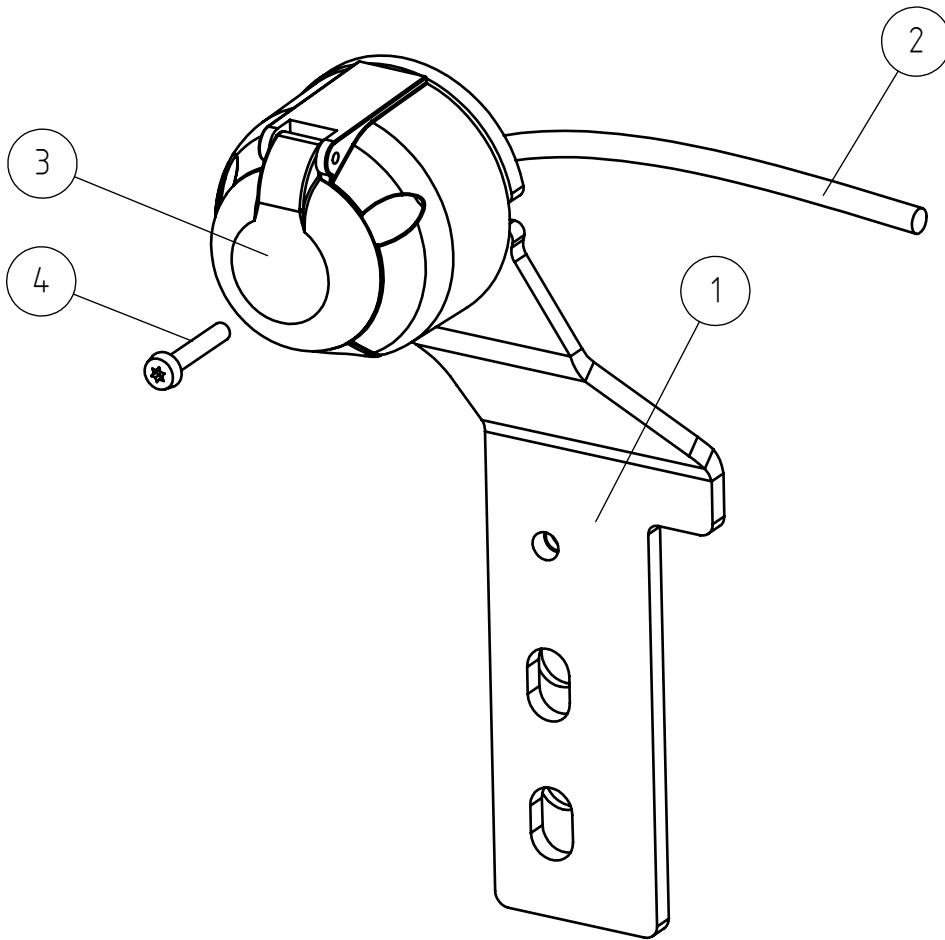
23.1.2024

A438530 BEACON 800 SERIES

| REF | PART NO | QTY | DESCRIPTION | NOTES | PAGE |
|-----|---------|-----|--|-------|------|
| 1 | A435335 | 1 | BEACON, ORANGE WITH LED LIGHT 11W | | - |
| 2 | 65058 | 1 | BRACKET (PIN), BEACON | | - |
| 3 | A412068 | 1 | BRACKET, BEACON, CAB DLX | | - |
| 4 | A429202 | 1 | HEXAGONAL SERRATED SCREW M8*25 WITH FLAN | | - |
| 5 | 73122 | 3 | WASHER M8 A8,4 DIN 125 ZN | | - |
| 6 | 72320 | 2 | HEXAGONAL NUT M8 NYLOC DIN 985 | | - |
| 7 | A49059 | 1 | BRACKET, BEACON | | - |
| 8 | 72143 | 1 | HEX. SCREW M8*80 DIN 931 | | - |
| 9 | A49080 | 1 | COVER STRIP, SIDE | | - |
| 10 | 74767 | 5 | RAISED COUNTERSUNK HEAD SCREW M6*20 | | - |
| 11 | 74768 | 5 | WASHER CONICAL M6 | | - |
| 12 | A450714 | 1 | COVER STRIP SIDE SHORT | | - |
| 13 | A440104 | 1 | WIRE HARNESS BEACON 700/800 ROPS STAGE V | | - |
| 14 | A440977 | 1 | ADAPTER ROTATING BEACON CAB GT | | - |
| 15 | 65065 | 1 | SWITCH, BEACON | | - |

23.1.2024

A418817 TRAILER SOCKET 7 PIN, KIT, 700/800



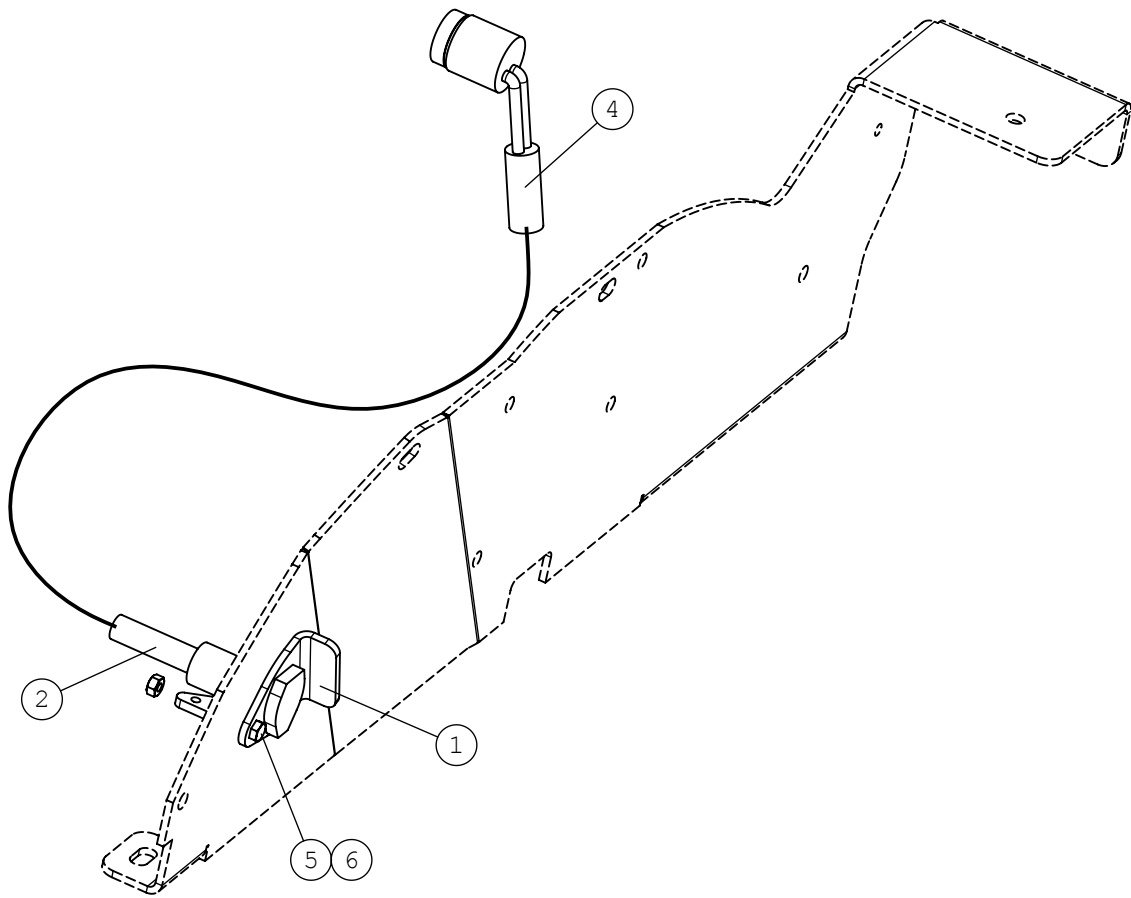
23.1.2024

A418817 TRAILER SOCKET 7 PIN, KIT, 700/800

| REF | PART NO | QTY | DESCRIPTION | NOTES | PAGE |
|-----|---------|-----|--|-------|------|
| 1 | A418828 | 1 | BRACKET, TRAILER SOCKET 7-PIN | | - |
| 2 | A418830 | 1 | WIRE, TRAILER SOCKET 7-PIN, 700 SERIES | | - |
| 3 | 65054 | 1 | TRAILER SOCKET, 7-PIN | | - |
| 4 | A442551 | 3 | THREAD-FORMING SCREW M5*30 DIN 7500CE | | - |
| 5 | A427379 | 1 | SPACER MOUNTING BRACKET TRAILER SOCKET 7 | | - |

23.1.2024

A419474 ENGINE BLOCK HEATER, 755I/760I/860I



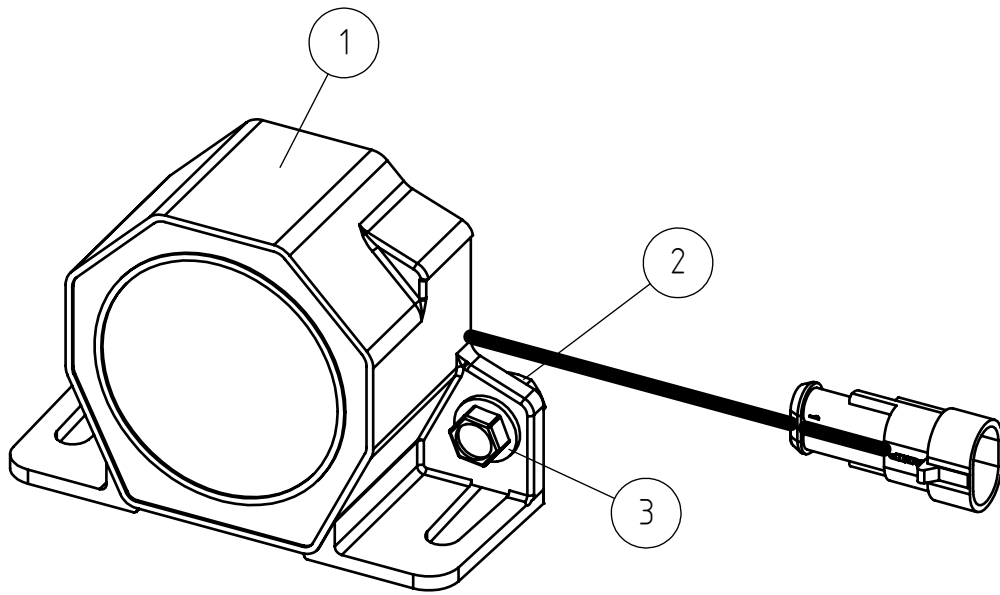
23.1.2024

A419474 ENGINE BLOCK HEATER, 755I/760I/860I

| REF | PART NO | QTY | DESCRIPTION | NOTES | PAGE |
|-----|---------|-----|--|-------|------|
| 1 | A418769 | 1 | PROTECTION PLATE, OUTLET ENGINE HEATER | | - |
| 2 | 64470 | 1 | CONNECTING LEAD DEFA 460992 BLOCK HEATER | | - |
| 3 | A46374 | 1 | DECAL ENGINE BLOCK HEATER | | - |
| 4 | 64469 | 1 | HEATER ELEMENT, ENGINE HEATE DEFA 411122 | | - |
| 5 | 72117 | 1 | HEXAGONAL SCREW M6*16 DIN 933 | | - |
| 6 | 73494 | 1 | HEXAGONAL NUT M6 DIN 934 BLACK | | - |

23.1.2024

A438525 REVERSE BEEPER, KIT, 755I/760I/860I



23.1.2024

A438525 REVERSE BEEPER, KIT, 755I/760I/860I

| REF | PART NO | QTY | DESCRIPTION | NOTES | PAGE |
|-----|---------|-----|---|-------|------|
| 1 | A430858 | 1 | REVERSE BEEPER WITH WIRE | | - |
| 2 | 74781 | 2 | HEXAGONAL NUT M6 WITH FLANGE | | - |
| 3 | A431967 | 2 | HEXAGONAL SERRATED SCREW M6*16 W. FLANG | | - |

AVANT®

Varaosat Spare parts

Manufacturer:

AVANT®

AVANT TECNO OY

e-mail: sales@avanttecho.com

Ylötie 1

33470 Ylöjärvi

FINLAND

Tel. +358 3 347 8800

Fax +358 3 348 5511